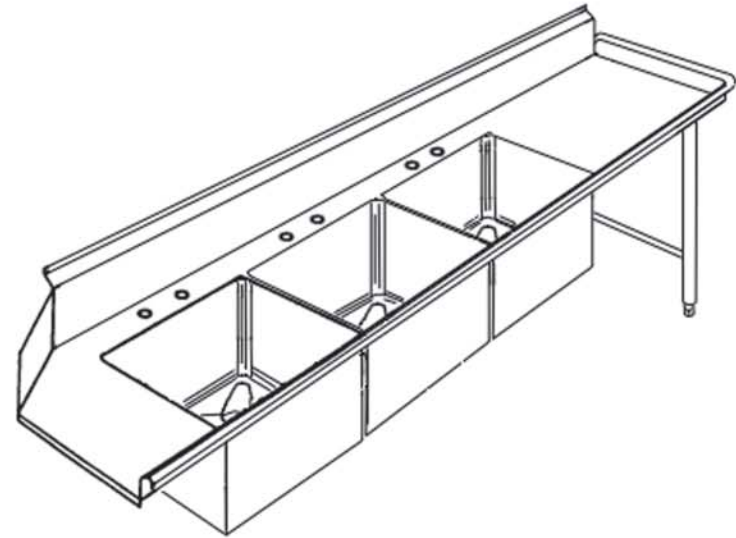


THREE-VAT SOILED TABLES



Includes Scrap Basket/Rack Slide Combo (One Piece Unit)

SINK SIZE	OVERALL LENGTH
17" X 21" X 14" DEEP	61"
20" X 20" X 14" DEEP	70"
20" X 20" X 14" DEEP W/20" DRAINBOARD	88" (SHOWN)

**All Installations Require a Pre-Rinse
w/12" Swing Style Add-A-Faucet**

Other Sizes Available as well as Hand Sinks and Sink Covers Can Be Added.