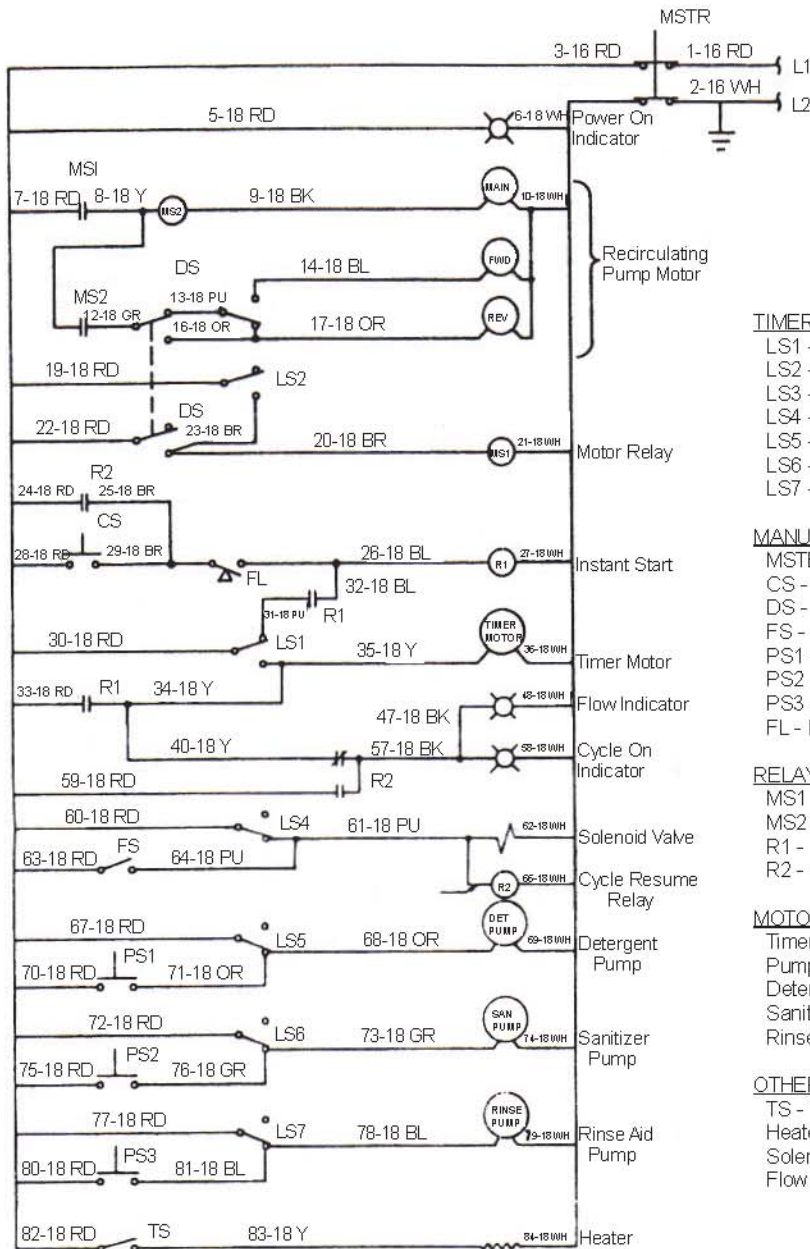


LADDER DIAGRAM MODEL ASQ



TIMER SWITCHES

- LS1 - Timer Master Limit Switch
- LS2 - Timer Motor Switch
- LS3 - Timer Forward-Reverse Switch
- LS4 - Timer Water Solenoid Switch
- LS5 - Timer Detergent Pump Switch
- LS6 - Timer Sanitizer Pump Switch
- LS7 - Timer Rinse-Aid Pump Switch

MANUAL SWITCHES

- MSTER - Master Switch
- CS - Cycle Start Switch
- DS - Drain Switch
- FS - Fill Switch
- PS1 - Detergent Prime Switch
- PS2 - Sanitizer Prime Switch
- PS3 - Rinse-Aid Prime Switch
- FL - Float Switch

RELAYS

- MS1 - Main Winding Relay - Pump Motor
- MS2 - Start Winding Relay - Pump Motor
- R1 - Instant Start Relay
- R2 - Cycle Resume Relay

MOTORS

- Timer Motor { Main Winding
FWD Start Winding
Reverse Start Winding
- Pump Motor { Main Winding
FWD Start Winding
Reverse Start Winding
- Detergent Pump Motor
- Sanitizer Pump Motor
- Rinse-Aid Pump Motor

OTHER ITEMS

- TS - Thermostatic Switch
- Heater
- Solenoid Valve
- Flow Indicator Light