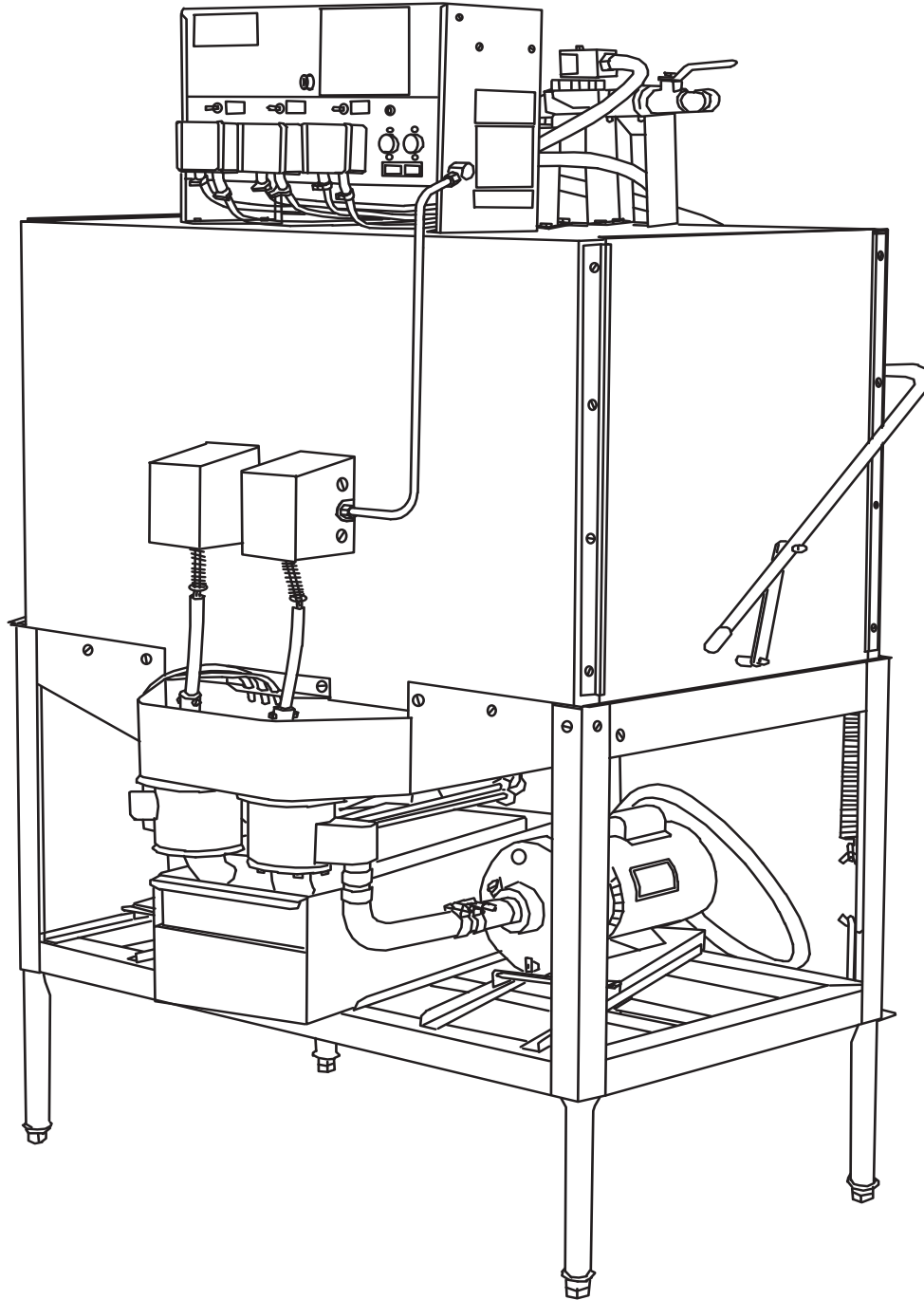


EFFECTIVE: JULY, 2013

# *American Dish Service*

ADS LOW TEMPERATURE DISHWASHER

**MODEL: 5-AG-S**



# **PARTS MANUAL**

900 Blake Street  
Edwardsville, Kansas 66111  
(913)422-3700

The **American Dish Service** part numbers contained in this publication are replacement parts for equipment listed with governmental and regulatory agencies and are specified to maintain the regulatory mark and certification. These parts must only be replaced by those who are trained in the operation and service of commercial dishmachines. Aftermarket parts or modified parts are not compliant or listed with the standards of governmental and regulatory agencies; aftermarket parts are not authorized by ADS for replacement repairs. ADS will not be responsible for any liability if parts are used in the repair of the machine that are not ADS-specified, by those installing non-certified replacement parts or attempts to change the machine's cycle or operation other than as designed and certified. **Read the warnings and cautions provided below before working on or replacing parts on any ADS equipment.**



**DANGER**

The installation of electrical parts contained in this publication require the following precautions:

**The electrical power supplied to this machine is an imminent hazard to life that could result in severe bodily injury or death if not properly installed or connected correctly.** When working in the control box or on electrical parts, always disconnect power and perform the appropriate lock-out/tag-out procedure before servicing. Replace the cover to the control box and other protective covers when finished with servicing this equipment before returning the machine to normal operation.

**LOOSE ELECTRICAL CONNECTIONS:** Damage to the equipment can occur if the following precautions are not observed. Before connecting power to the machine, check all electrical terminals in the control box. Screws can loosen in transit. Loose connections on high amp load terminals such as the pump motor and tank heaters will cause wire burning and component damage during operation and will not be covered under ADS warranty.

“**CLEAN CIRCUIT**” means the electrical circuit breaker for the dishmachine supplies no other outlets, machines, or lights. GFCI outlets are not recommended for commercial dishmachines; ADS recommends that a single-rack machine be installed with the wire connection (hard-wired) directly from the circuit breaker. All high temp and conveyor equipment must be hard wired. If a plug and socket are used to provide electrical power to a dishmachine in a commercial kitchen, then according to electrical code it must be a GFCI, but not all GFCIs are the same. They must be rated for the Amp draw for the designed circuit.

**For Reference: The NEC Article 210.8 regarding GFCI Protection (B) Other Than Dwelling Units (2) Commercial and Institutional Kitchens. All 15 and 20A, 125V receptacles installed in kitchens, even those that do not supply the countertop surface, must be GFCI protected.**



**WARNING**

The chemical feeders and controls contained in this publication require the following precautions:

**READ Manufacturer's Manual before Using this Product. For your safety read and observe all warnings in these instructions.** While performing installation of parts described in this booklet, wear approved Personal Protective Equipment, including chemically resistant gloves and Safety Eye-Wear.

**CHEMICALS:** There are potentially hazardous situations when working with industrial cleaning chemicals for dishmachines. See chemical manufacturer's safe practices and SDS or MSDS sheets for handling and installing chemicals and supply containers.

Chemicals can damage or corrode plumbing and stainless parts of the dishmachine. Do not run chemical lines over controls or plumbing. Always secure chemical lines and check regularly for leaks. **If not properly handled, chemicals can cause serious bodily injury.** In the event of chemical contact to skin or eyes; wash immediately with fresh water and seek medical attention.

**DE-LIMING THE MACHINE: Because of potential hazards resulting from the combination of chlorine with acid solution, only authorized trained individuals must be allowed to de-lime a commercial dishmachine.**

**CONTAINERS:** The ADS chemical delivery system is designed for 5 gallon pails of industrial low-energy chemical products. Always use chemical resistant safety gloves and safety goggles (indirect-vented or non-vented) when changing chemical

**CONTAINERS:** The ADS chemical delivery system is designed for 5 gallon pails of industrial low-energy chemical products. Always use chemical resistant safety gloves and safety goggles (indirect-vented or non-vented) when changing chemical buckets. Immediately report spills and refer to your chemical suppliers SDS safety data sheet or MSDS material safety data sheet for information if chemical comes in contact with skin or eyes.

Any modifications to the chemical delivery system for smaller containers must include Closed Loop Chemical Containers (spill proof bottles) in a secured racking system. It is the responsibility of the user of the machine to purchase chemicals in spill proof containers. **FAILURE CAN RESULT IN SERIOUS INJURY.** Never place chemicals in open containers or containers that can be easily tipped over when moving or changing product. Failure to do so will void your ADS warranty.

Chemical supplies must be kept in closed delivery containers to avoid spills or contamination. Do not place chemical solutions in open containers or containers that can be easily tipped over in moving or changing.

Do not open the doors while the machine is in operation. Doing so could result in serious bodily injury from spraying hot water and chemicals.



## CAUTION

The door lever arm parts in this publication are installed under spring tension and caution is needed whenever parts are changed. Wear safety glasses when working on the doors and lever. Care should be taken when moving, installing, or replacing any door lever arm parts. Use the ADS lever arm tool to unload the door spring during replacement or adjustment. The spring tension suddenly released can result in pinch or blunt trauma, and puncture wounds. If a wound occurs from the release of spring tension, wash the wound area immediately because of the soils that can accumulate on the metal parts and seek medical attention.

## NOTICE

**BEFORE YOU BEGIN:** American Dish Service provides this information as a service to our customers. **Keep all instructions for future reference.** ADS reserves the right to alter or update this information at any time. Should you desire to make sure that you have the most up-to-date information, we would direct you to the appropriate document on our web site: [www.americandish.com](http://www.americandish.com). **It is your obligation as the customer to ensure that the replacement parts for the machine are installed safely and properly, and when completed, the machine is left in proper and safe working order.** Electrical, Plumbing, and Chemical hookup must be performed by a qualified professional who will ensure that the equipment is installed in accordance with all applicable Codes, Ordinances, and Safety requirements. Failure to follow the installation instructions will void the warranty. **ADS assumes no liability or control over the installation of the equipment or replacement parts. Product failure due to improper installation is not covered under the ADS Warranty.**

### Plumbing parts:

When working on the water inlet manifold, first relieve the water line pressure by turning off the water supply to the machine then energize the machine's fill valve. By doing this the manifold will empty of water. Turn off the electrical power and lock out/tag out the machine. It will then be safe to open the plumbing inlet manifold.

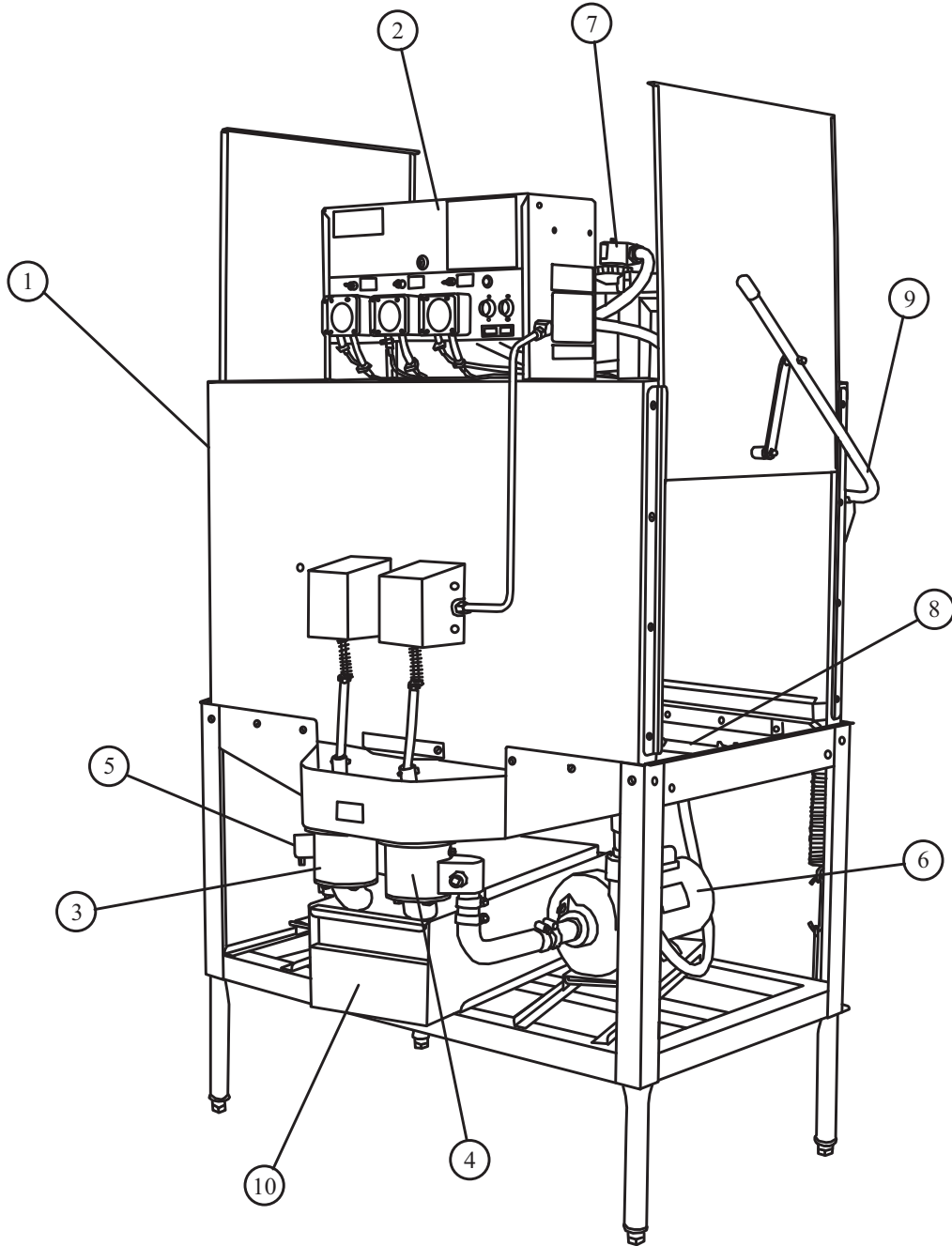
**TANKLESS WATER HEATERS** have shown to be problematic for commercial dishmachines. It has been the experience of ADS that tankless supply systems require multiple units plumbed in sequence with a recirculation loop to achieve proper pressure and temperature.

Check with the tankless water heater manufacturer, they may recommend a storage tank to guarantee proper flow and line pressure to the machine. **Failure to provide adequate water quantity, pressure and temperature to the machine will cause the machine to function improperly and is not the responsibility of ADS. Improperly installing ADS equipment or parts in this manner could void the warranty.** All costs associated with providing an adequate water supply to the machine is the sole responsibility of the user.

Drain replacement parts should not be reduced in size, all drain lines should remain the same size as it exits the dishmachine or larger. If you have questions, call 800-922-2178 or visit our website at [www.AmericanDish.com](http://www.AmericanDish.com)

028-0090  
Model: 5-AG-S  
DISHMACHINE

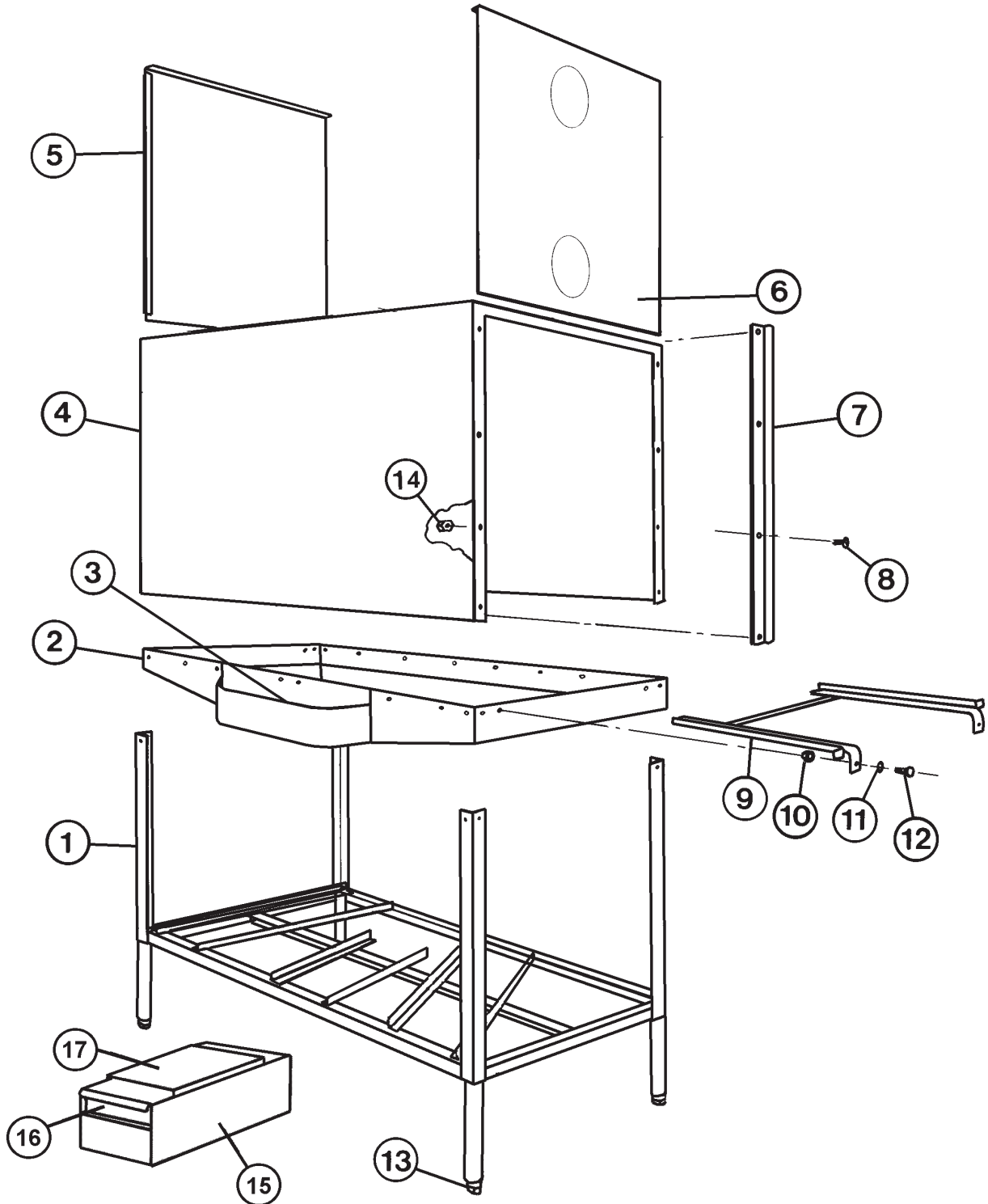
**American Dish Service**



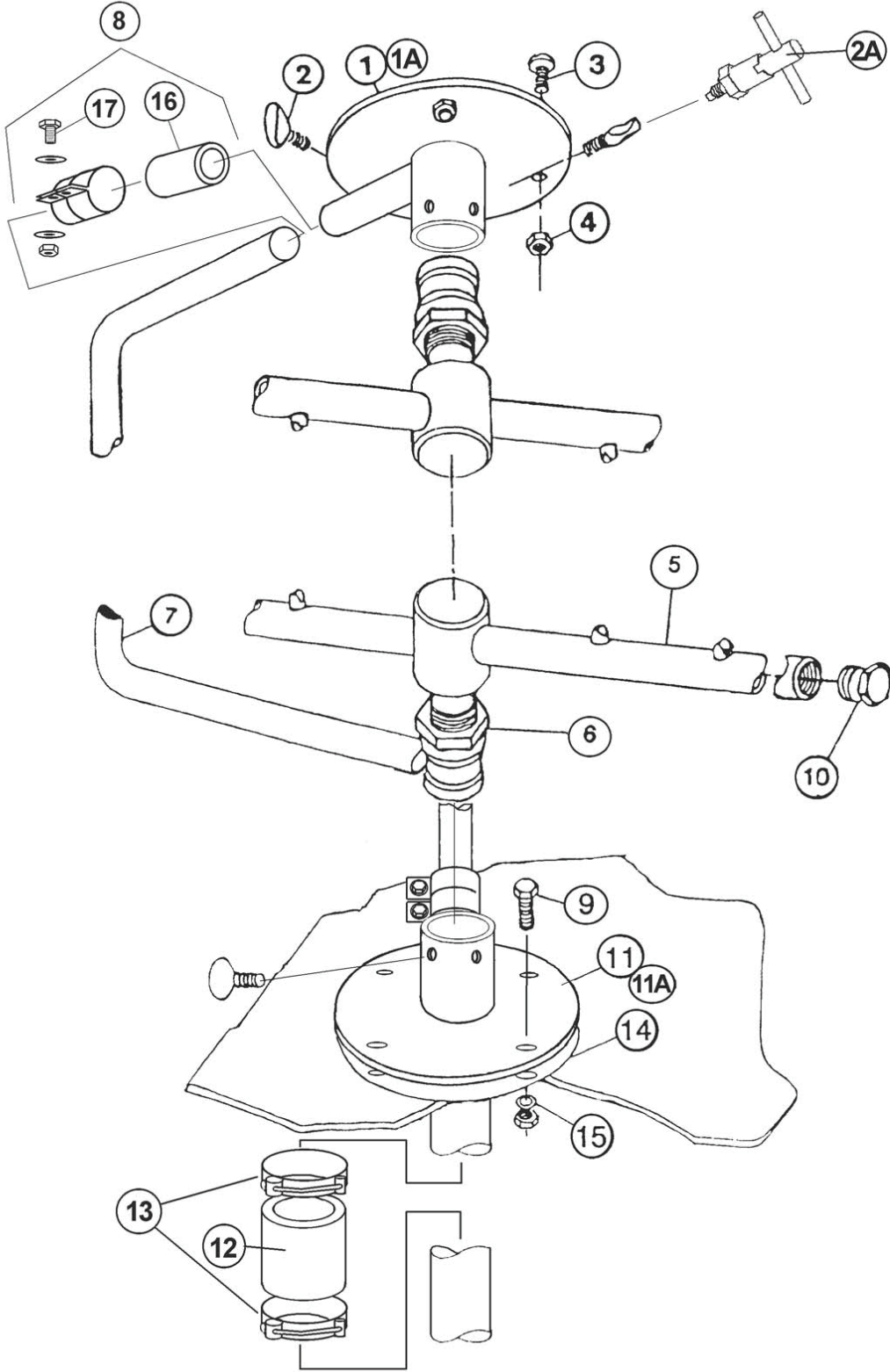


028-0090  
Model: 5-AG-S  
DISHMACHINE

**American Dish Service**





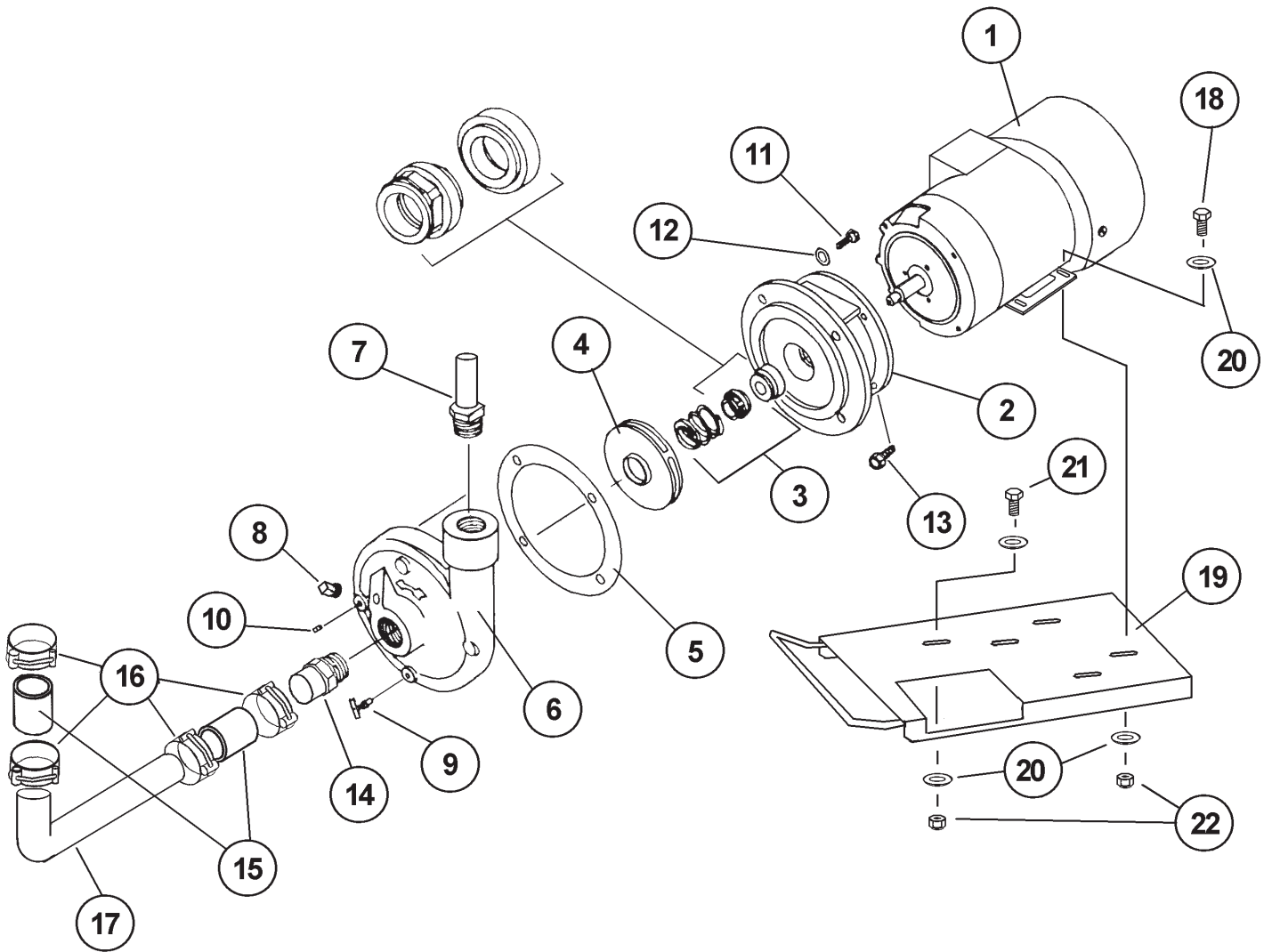




062-0800  
 Spray System Assembly  
 5-AG-S

**American Dish Service**

Ref. No.	Part No.	No. Req.	Description
1	085-6628	2	Upper Spray Base, SS, Thumbscrew Type
1A	085-6626	Opt.	Upper Spray Base, SS, Bayonet Type
2	098-1583	12	Thumb Screws 5/16-18 x 5/8" SS
2A	099-1028	Opt.	Bayonet Fitting
3	098-1426	8	Bolt, 1/4-20 x 3/4" HH SS
4	098-2507	16	Locknut, 1/4-20 SS
5	081-6214	4	Spray Arm Assembly
6	081-6210	4	Spray Arm Bearing Assembly, Cleanable
7	087-6229	2	Upper Arm Supply Tube (Manifold)
8	081-6501	4	Clamp Assembly, Inside Manifold (Incl. Bolts & Nuts)
9	098-1426	8	Bolt, 1/4-20 x 3/4" HH SS
10	084-6211	8	Spray Arm End Plug, SS
11	085-6625	2	Lower Spray Base, Bayonet Type, 3DS, 5AG-S
11A	085-6627	Opt.	Lower Spray Base, Thumbscrew Style, 3DS, 5AG-S
12	093-1040	2	Rubber Sleeve, Discharge Tube
13	098-9037	4	Clamp, Discharge Tube sleeve
14	089-6201	2	Gasket, Spray Base
15	098-2404	8	Washer, 1/4", SS
16	093-1041	4	Plastic Sleeve, Inside Manifold Tube
17	098-1426	8	Bolt, 1/4-20 x 3/4" HH SS

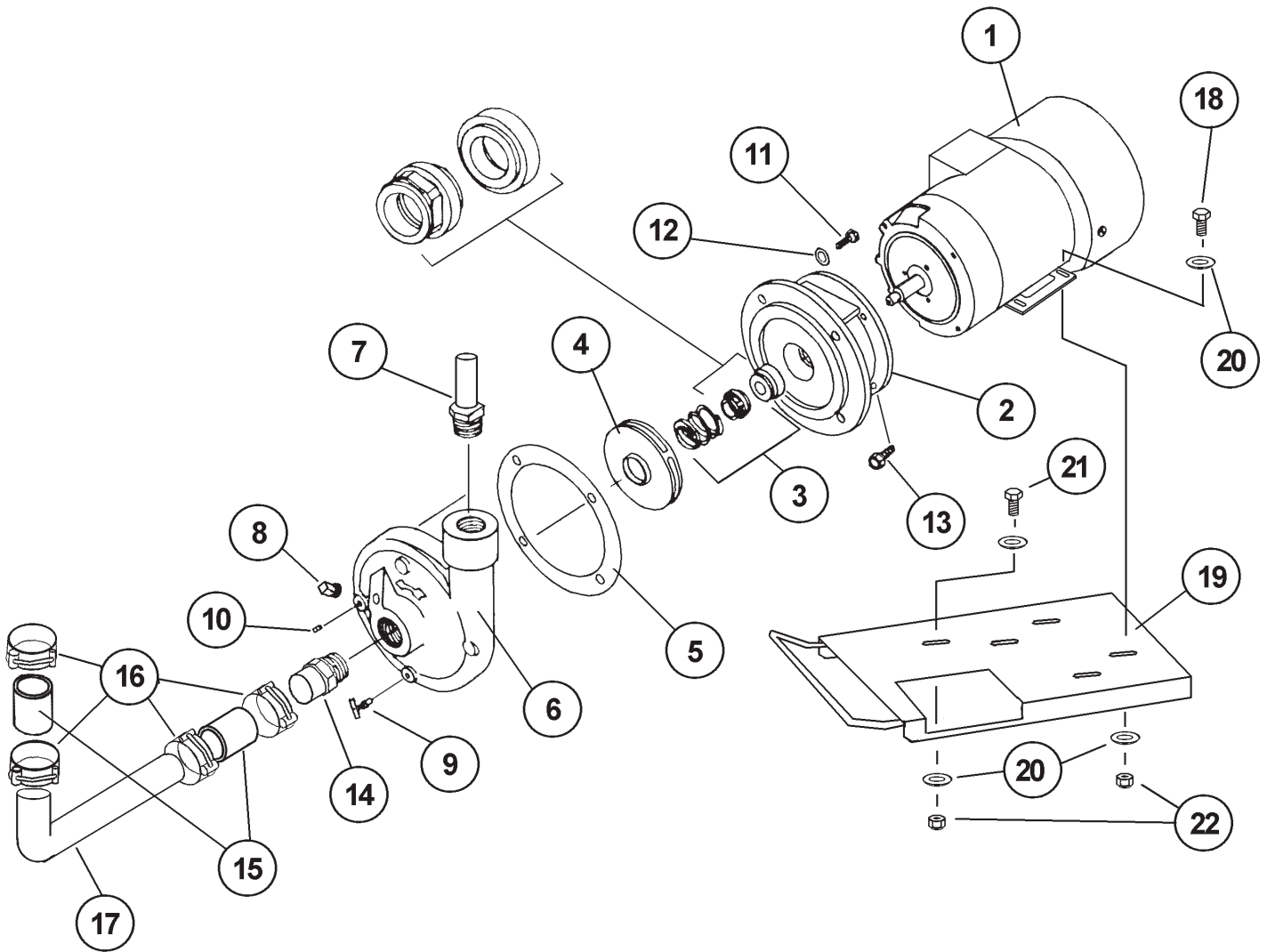


063-2100

Recirculating Pump Assembly LH  
5-AG-S

**American Dish Service**

Ref. No.	Part No.	No. Req.	Description
1	091-1001	1	Motor, 1 ½ HP
2	082-6301	1	Rear Housing
3	092-2001	1	Seal Assembly
4	082-6303	1	Impeller, 5-vane
5	089-6303	1	Gasket
6	082-6302	1	Front Housing (Pump Cover)
7	085-6323	1	Discharge Pipe Weldment, 5-AG-S
8	092-1144	1	Pipe Plug, 3/8", SS
9	092-1002	1	Petcock 1/8"
10	092-1145	1	Pipe Plug, 1/8" SS
11	098-1507	2	Bolt, HH, SS, 5/16-18 x 7/8"
N/S	098-1510	2	Bolt, 5/16-18 x 1 ¼", HH, SS
12	098-2503	4	Washer, Copper 5/16"
13	098-1607	4	Bolt, 3/8-16 x 7/8" HH SS
14	085-6321	1	Pump Pipe, Suction
15	093-1039	2	Rubber Sleeve, Suction Tube Kit
16	098-9038	4	Clamp, Suction Tube Sleeve
17	085-6322	1	Suction Tube, 5-AG-S
18	098-1426	2	Bolt, ¼-20 x ¾", HH, SS
19	085-6408	1	Motor Plate
20	098-2404	6	Washer, ¼", SS
21	098-1434	1	Bolt, ¼-20 x 2", HH, SS
22	098-2507	3	Locknut, ¼-20, SS
Rep.	088-1012		Pump Assembly Through Impeller
			(Needs Gasket 089-6303)



063-2400

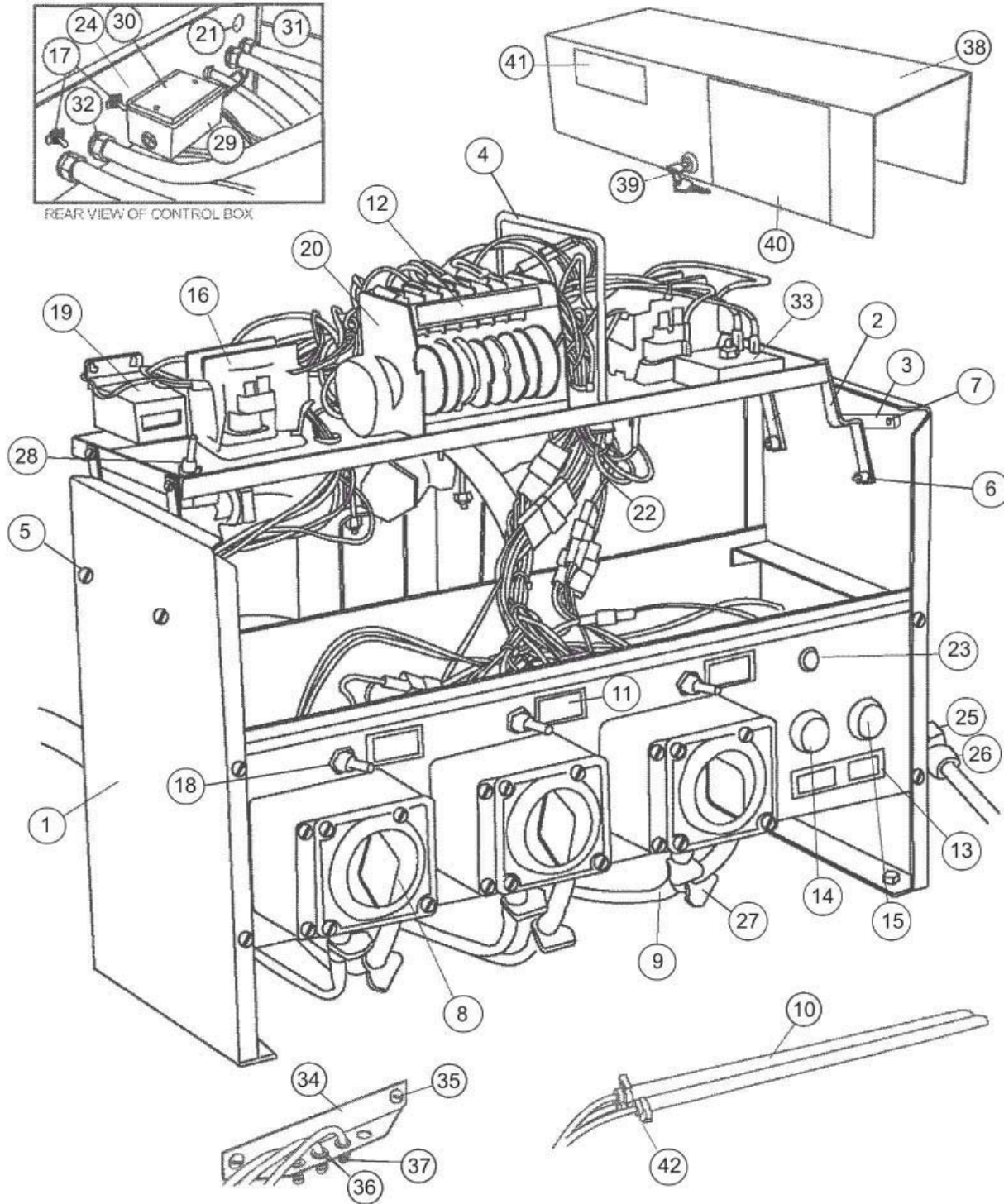
Recirculating Pump Assembly  
RH 5-AG-S

**American Dish Service**

Ref. No.	Part No.	No. Req.	Description
1	091-1001	1	Motor, 1 ½ HP
2	082-6301	1	Rear Housing
3	092-2001	1	Seal Assembly
4	082-6303	1	Impeller, 5-vane
5	089-6303	1	Gasket
6	082-6302	1	Front Housing (Pump Cover)
7	085-6323	1	Discharge Pipe Weldment, 5-AG-S
8	092-1144	1	Pipe Plug, 3/8", SS
9	092-1002	1	Petcock 1/8"
10	092-1145	1	Pipe Plug, 1/8", SS
11	098-1507	2	Bolt, HH, SS, 5/16-18 x 7/8"
N/S	098-1510	2	Bolt, 5/16-18 x 1 ¼", HH, SS
12	098-2503	4	Washer, Copper 5/16"
13	098-1607	4	Bolt, 3/8-16 x 7/8" HH SS
14	085-6321	1	Pump Pipe, Suction
15	093-1039	2	Rubber Sleeve, Suction Tube Kit
16	098-9038	4	Clamp, Suction Tube Sleeve
17	085-6322	1	Suction Tube, 5-AG-S
18	098-1426	2	Bolt, ¼-20 x ¾", HH, SS
19	085-6408	1	Motor Plate
20	098-2404	6	Washer, ¼", SS
21	098-1434	1	Bolt, ¼-20 x 2", HH, SS
22	098-2507	3	Locknut, ¼-20, SS
Rep.	088-1012		Pump Assembly Through Impeller (Needs Gasket 089-6303)

064-2700  
Control System Assembly  
5-AG-S

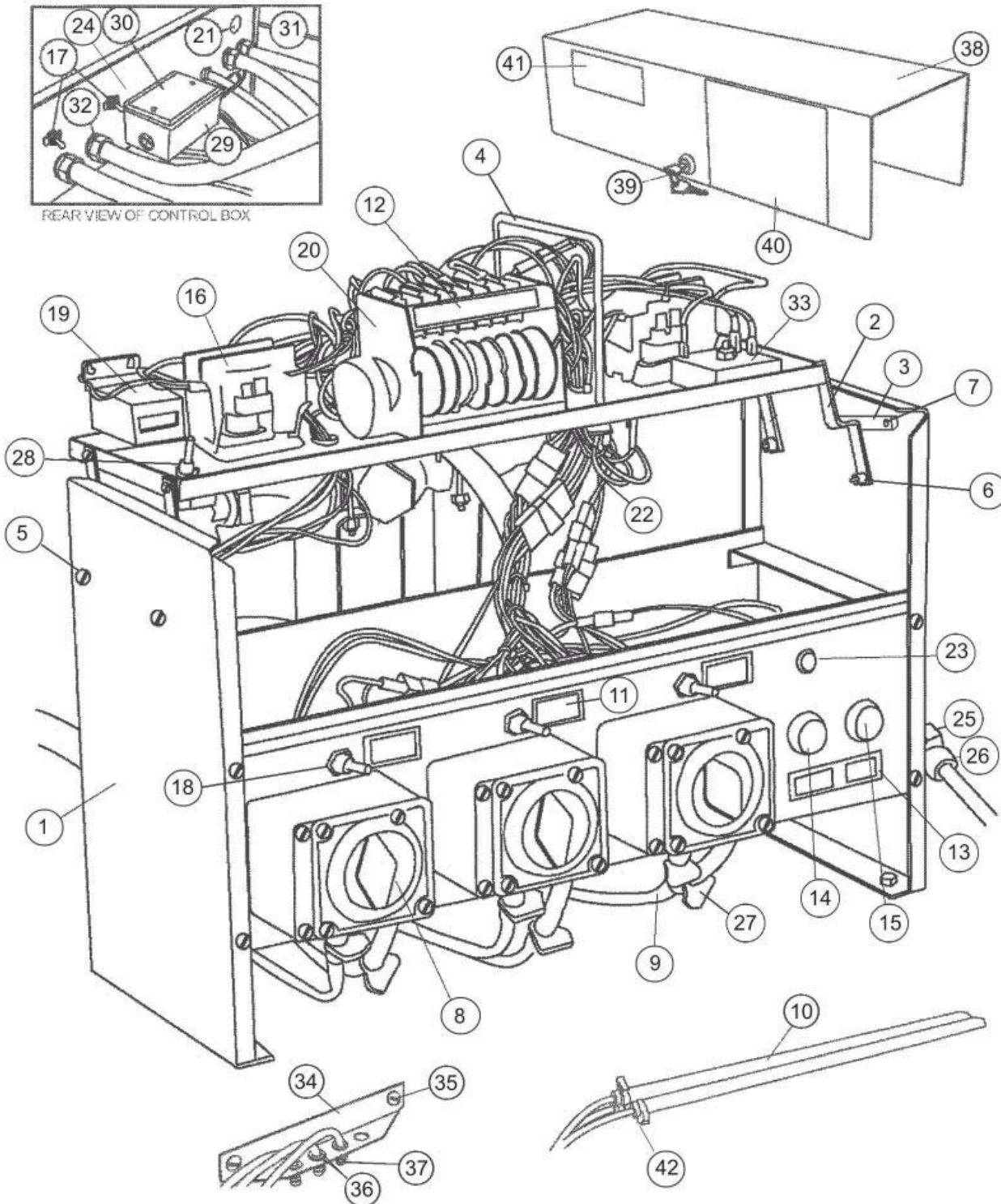
**American Dish Service**



064-2700  
Control System Assembly  
5-AG-S

**American Dish Service**

<b>Ref. No.</b>	<b>Part No.</b>	<b>No. Req.</b>	<b>Description</b>
1	081-6422	1	Control Box Bottom Side Assembly
2	086-6678	4	Control Box Hinge
3	086-6676	1	Safety Latch
4	086-6317	1	Shelf Handle
5	098-1204	13	Screw, 8-32 x 1/2"
6	098-2201	9	Locknut, 8-32
7	098-2404	1	Washer
8	064-0010	3	Chemical Pump Assembly
9	093-1046	21'	Chemical Discharge Tube Assembly, Red
9	093-1045	21'	Chemical Discharge Tube Assembly, Green
9	093-1044	21'	Chemical Discharge Tube Assembly, Blue
10	083-6407	3	Tube Stiffener
11	089-9321	1	Decal, Prime
12	089-9226	1	Decal, Cam
13	089-9237	1	Decal, Start-Fill
14	091-3002	1	Switch, Red Start
15	091-3001	1	Switch, Black Fill
16	091-3083	2	Contactor
17	091-3008	2	Master Switch
18	091-3009	3	Prime Switch
19	091-3049	1	Counter, Electric
20	091-3051	1	Timer, 90 Sec. 7 Cam
21	091-4019	2	Plastic Plug
22	091-5028	1	Wiring Harness
23	091-7006	1	Red Light
24	092-1008	1	1/2" Close Nipple
25	092-1029	1	1/2" x 3/8" Reducer, Brass
26	092-1030	1	Fitting, 3/8" Comp x 1/2" FPT 90°





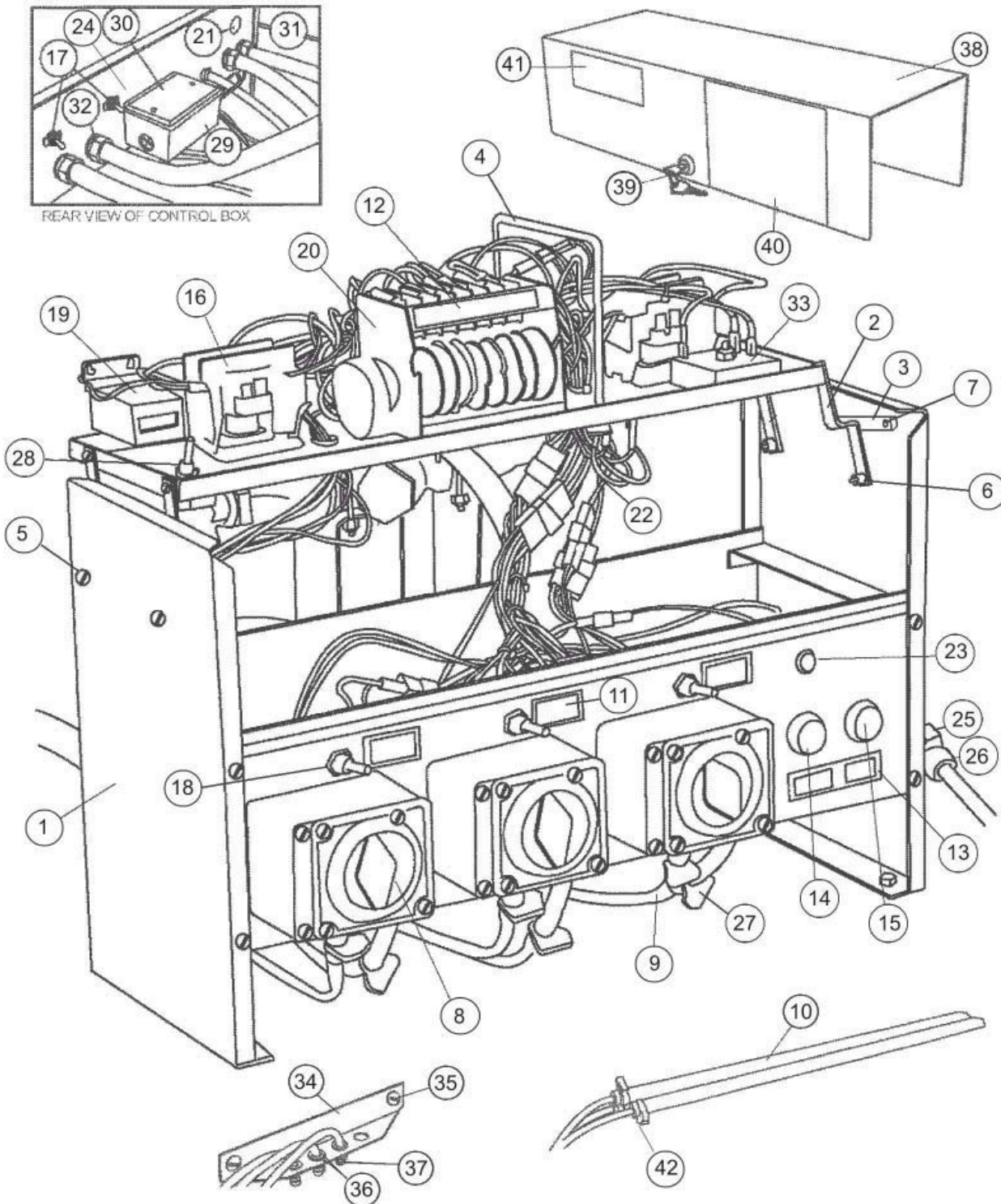
064-2700  
Control System Assembly  
5-AG-S

**American Dish Service**

Ref. No.	Part No.	No. Req.	Description
27	098-1606	6	Tube Clamp
28	091-3060	1	Toggle Switch
29	091-4016	1	Junction Box
30	091-4004	1	Cover, Junction Box
31	091-5156	20.1'	Conduit, 1/2"
32	091-4141	5	Conduit, ST. 1/2", Fitting
33	091-3059	1	Relay, Auto Start
34	086-6419	1	Chemical Discharge Bracket
35	098-1414	2	Screw, 1/4-20 x 1/2", TH, SS
36	091-4015	3	Chemical Tube Fitting, Grommet
37	093-1043	3	Hose Barb 3/16"
38	087-6433	1	Control Box Cover
39	096-1002	1	Control Box Lock and Key
40	089-9204	1	Outside Sump Cleaning Instruction
41	089-9213	1	NSF Sticker
42	098-1605	3	Tube Stiffener Clamp
OPT.	091-3003	1	Relay, Instant Start
N/S	098-2507	5	Locknut, 1/4"
N/S	091-3011	1	Socket, Relay
N/S	091-4002	1	Grommet
N/S	089-0001	1	Nameplate
N/S	089-0050	1	NSF UL Plate
N/S	098-9011	6	Pop Rivets
N/S	089-9202	1	Wiring Diagram
N/S	089-9210	1	Decal, Connect to Power Supply
N/S	089-9227	1	Adjust Cam Decal
N/S	089-9257	1	Decal, Delime Caution
N/S	091-4142	3	Conduit, Elbow, 1/2"
N/S	091-4017	1	Grommet, Large
N/S	091-5213	2	Red Butt Connector
N/S	091-5220	6	Cable Tie, Medium
N/S	091-5223	1	Molex Housing, Male
N/S	091-5224	1	Male Molex, Pin
N/S	091-5226	8	Tabs, Master Switch

064-2700  
Control System Assembly  
5-AG-S

**American Dish Service**

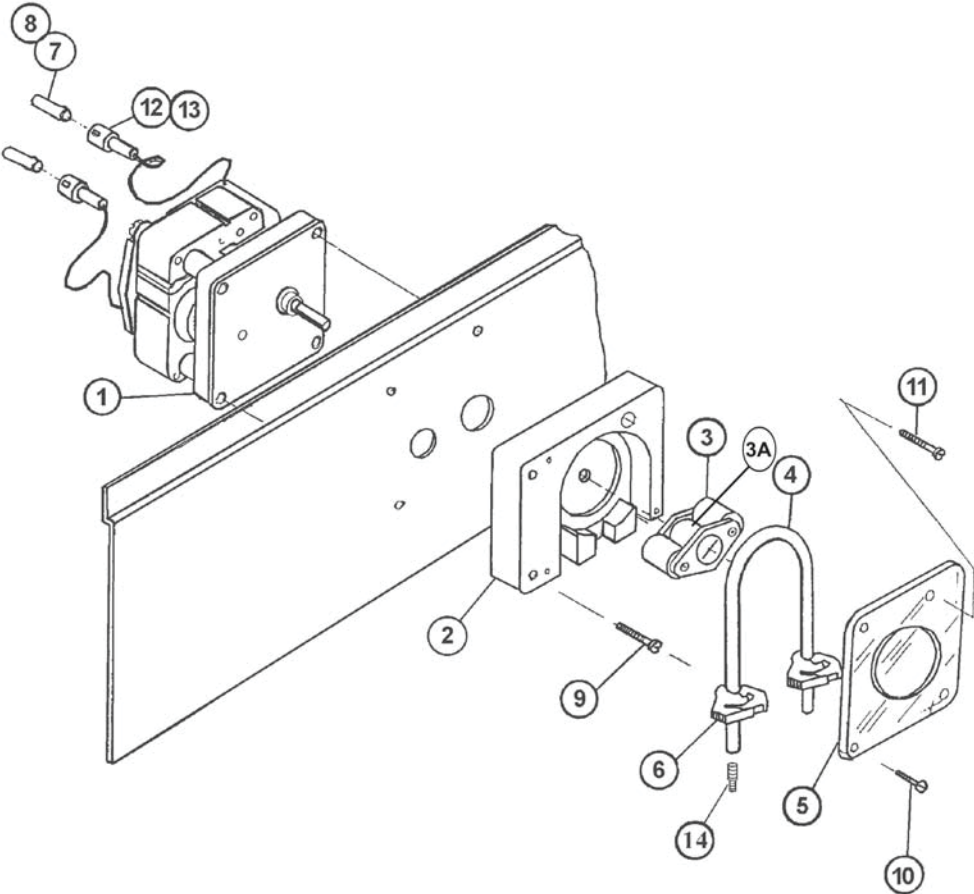


064-2700

Control System Assembly  
5-AG-S

*American Dish Service*

Ref. No.	Part No.	No. Req.	Description
N/S	091-5247	1	Spade Connector, Female
N/S	091-6157	8	Flag Connector and Cover, 1/4" Female
N/S	098-1102	4	Screw, 6-32 x 1/4", RH, SS
N/S	098-1104	4	Screw, 6-32 x 1/2", RH, SS
N/S	098-1205	8	Screw, 8-32 x 5/8", RH, SS
N/S	098-1211	4	Screw
N/S	098-1418	1	Bolt, 1/4-20 x 1", TH, SS
N/S	098-1420	1	Screw, 1/4-20 x 1 1/4", TH
N/S	098-2001	4	Locknut, 4-40
N/S	098-2101	4	Nut, 6-32, SS
N/S	098-2202	8	Nut, 8-32, SS
N/S	098-2507	1	Locknut, 1/4-20
N/S	098-9020	1	Plastic Plug, 7/8"
N/S	292-1006	2	Locknut, 1/2" FPT, Brass
N/S	099-4502	1	Kill Switch
N/S	086-6166	1	Bracket, Kill Switch

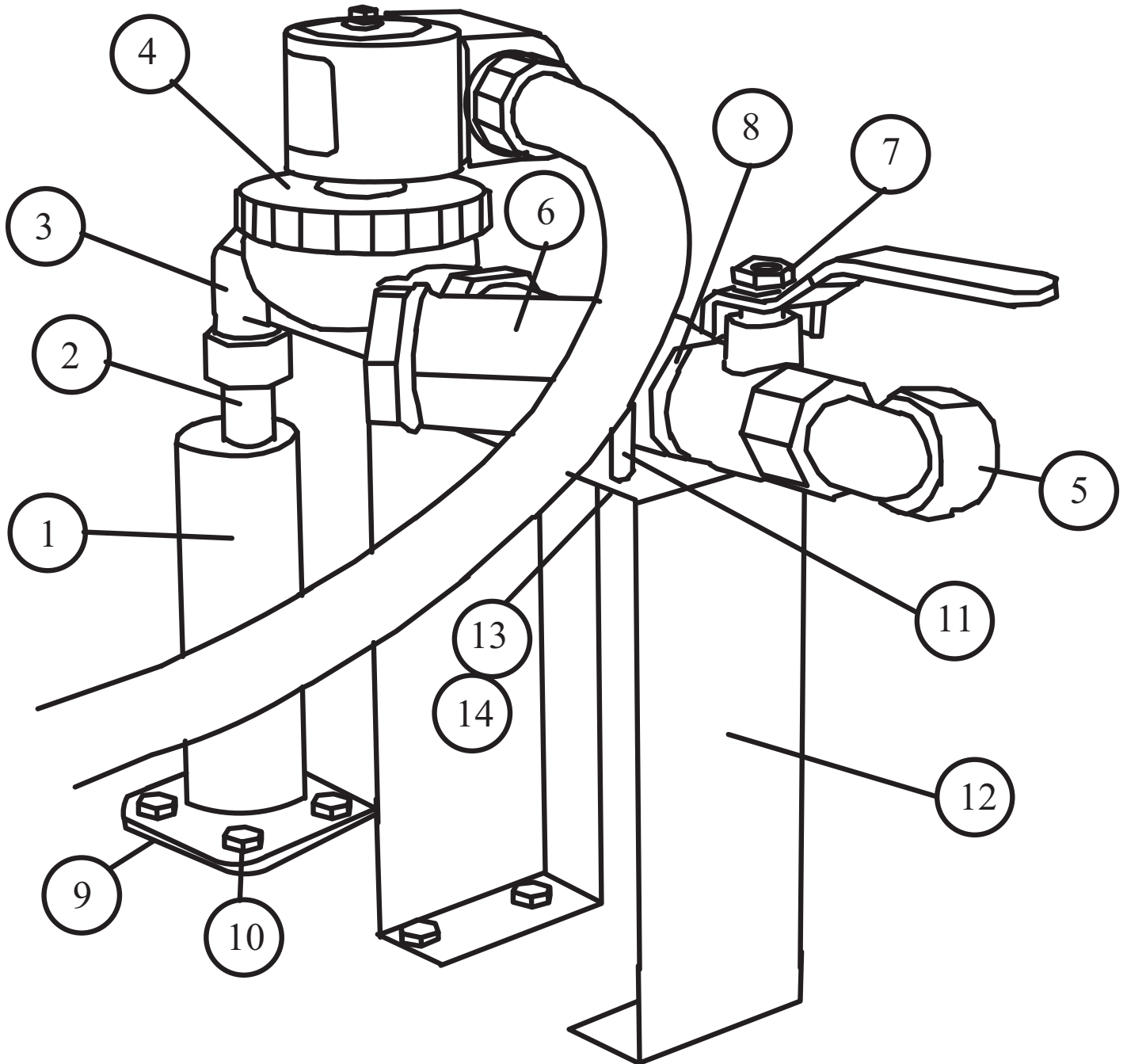


064-0010

Chemical Pump Assembly  
5-AG-S

**American Dish Service**

Ref. No.	Part No.	No. Req.	Description
1	091-1002	1	Gear Motor
2	083-6703	1	Chemical Pump Housing
3	067-6702	1	Rotor Assembly
3A	098-1322	1	Set Screw, 10-32 x 1/4"
4	087-6700	1	Squeeze Tube
5	083-6707	1	Cover, Chemical Pump
6	098-1606	2	Clamp, Spring-Type, 7/16"
7	091-5223	Rep.	Cover (Service Only)
8	092-5224	Rep.	Molex Male Pin (Service Only)
9	098-1310	1	Screw, 10-32 x 1/2", FH, SS
10	098-1204	4	Screw, 8-32 x 1/2", RH, SS
11	098-1321	1	Screw, RH, SS, 10-32 x 1 3/4"
12	091-5221	2	Molex Cover, Female
13	092-5222	2	Molex Female Pin
14	092-1146	2	Hose Barb, 1/4" x 3/16"
			(Connects Squeeze Tube to 1/4" Chem. Tubing)

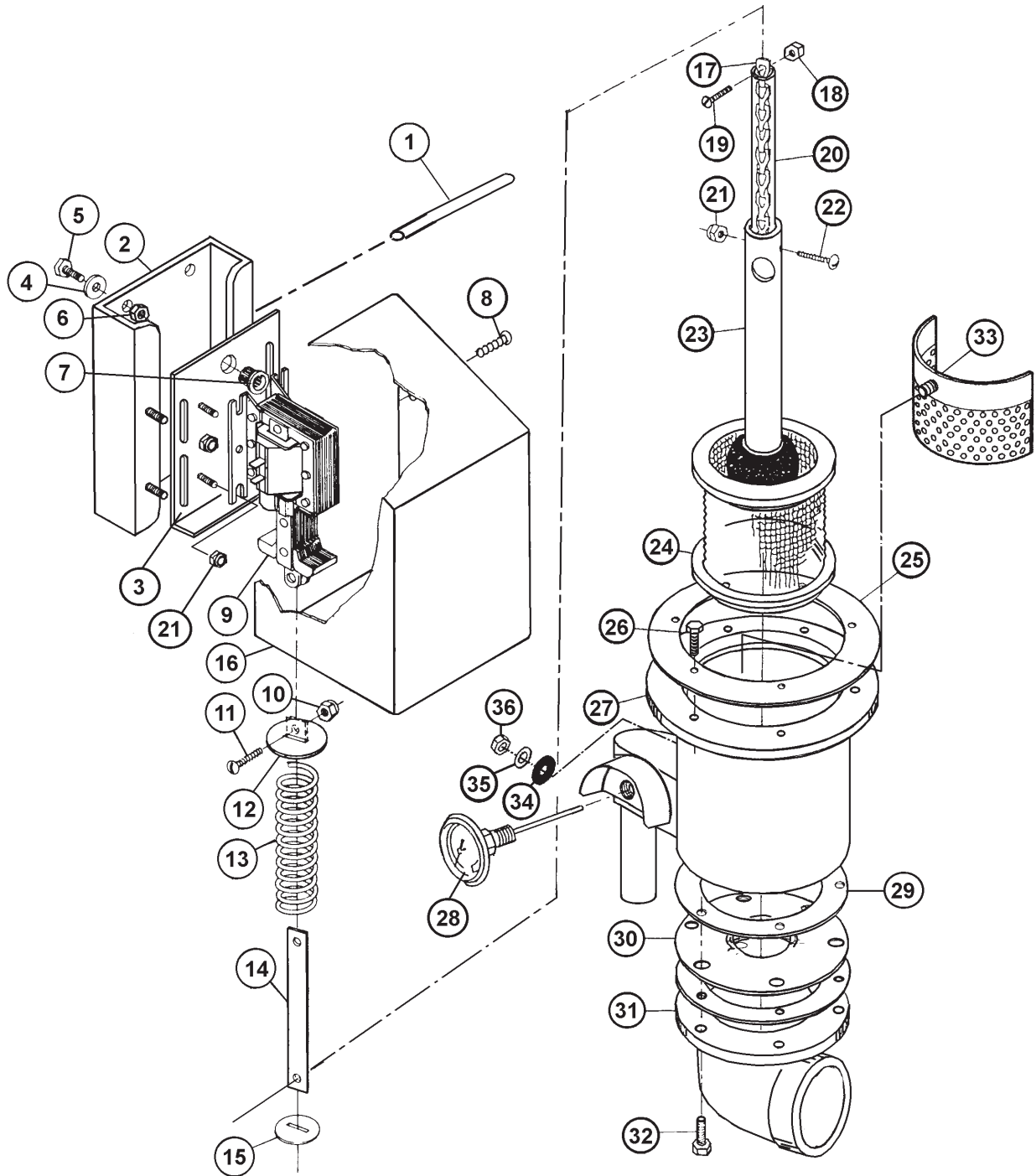


065-2100

Fresh Water Plumbing Assembly  
5-AG-S

**American Dish Service**

Ref. No.	Part No.	No. Req.	Description
1	385-6121	1	Air Gap Weldment, 5-AG-S
2	092-3119	1	Fresh Water Supply Tube, 5/8" OD x 2", 5-AG-S
3	092-1147	1	Fitting, 3/4" MPT x 5/8" Comp. 90° Elbow
4	089-7001	1	Solenoid Valve, 3/4"
5	092-1074	2	Fitting, 3/4" Street Elbow, 90°
6	092-9006	1	Line Strainer, 3/4"
7	092-5055	1	Shut-Off Valve, 3/4"
8	092-1073	2	Nipple, 3/4" Close
9	389-6603	1	Gasket, Air Gap
10	098-1426	4	Bolt, 1/4-20 x 3/4", HH, SS
11	098-9023	1	U-Bolt, 1/4-20, SS
12	086-6647	1	Bracket, Plumbing, 5-AG-S
13	098-2507	6	Locknut, 1/4-20, SS
14	098-2404	8	Washer, 1/4", SS
N/S	092-9008	Rep.	Screen (Replacement), 3/4"
N/S	385-6124	1	Air Gap Flanged Outlet Elbow Weldment, 5-AG-S
Rep	092-5020	0	Solenoid Valve Repair Kit (Replacement), 3/4"
Rep	092-5026	0	Solenoid Valve Body (Replacement), 3/4"
Rep	092-5017	0	Solenoid Valve Coil (Replacement)



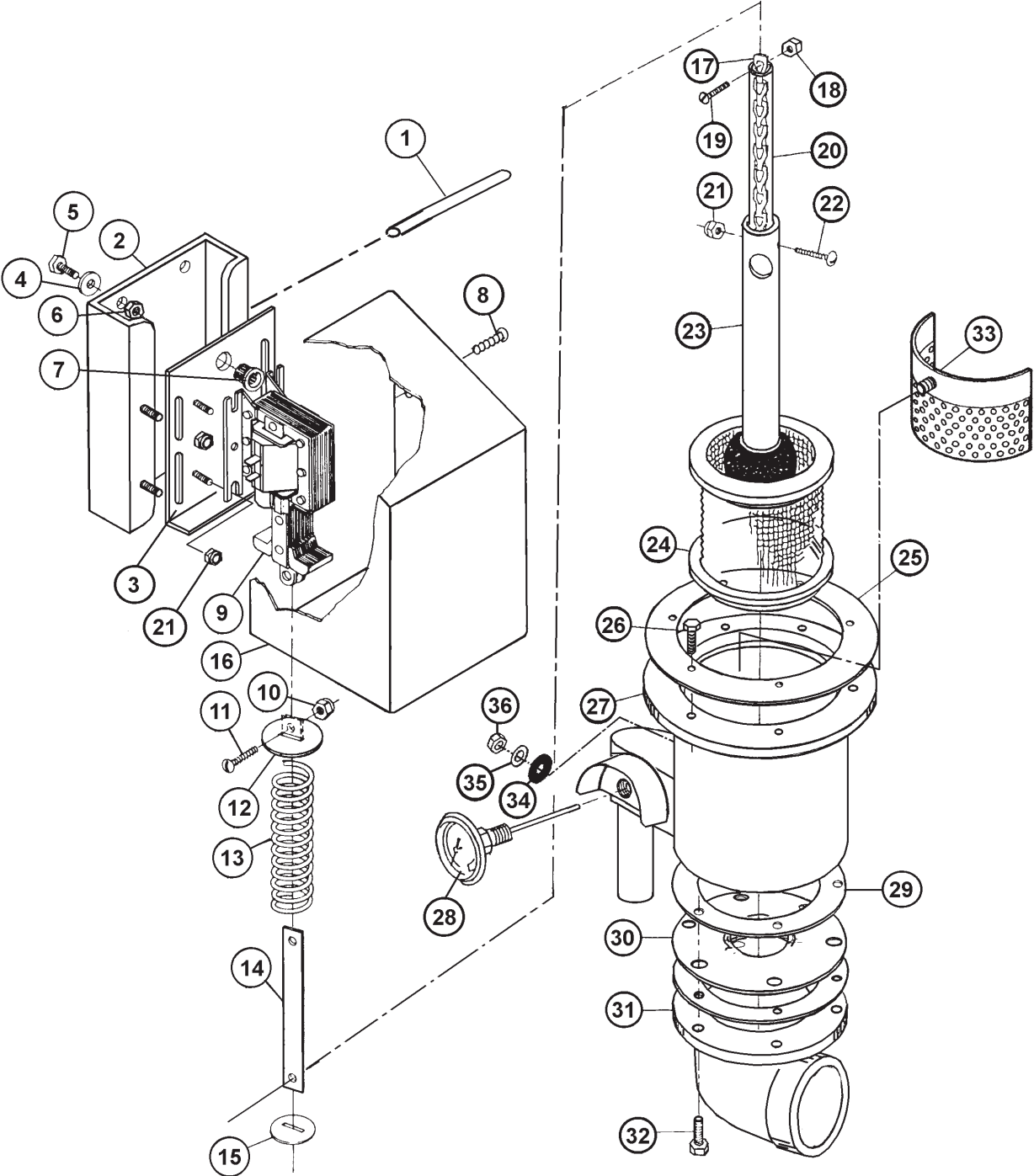


066-1700

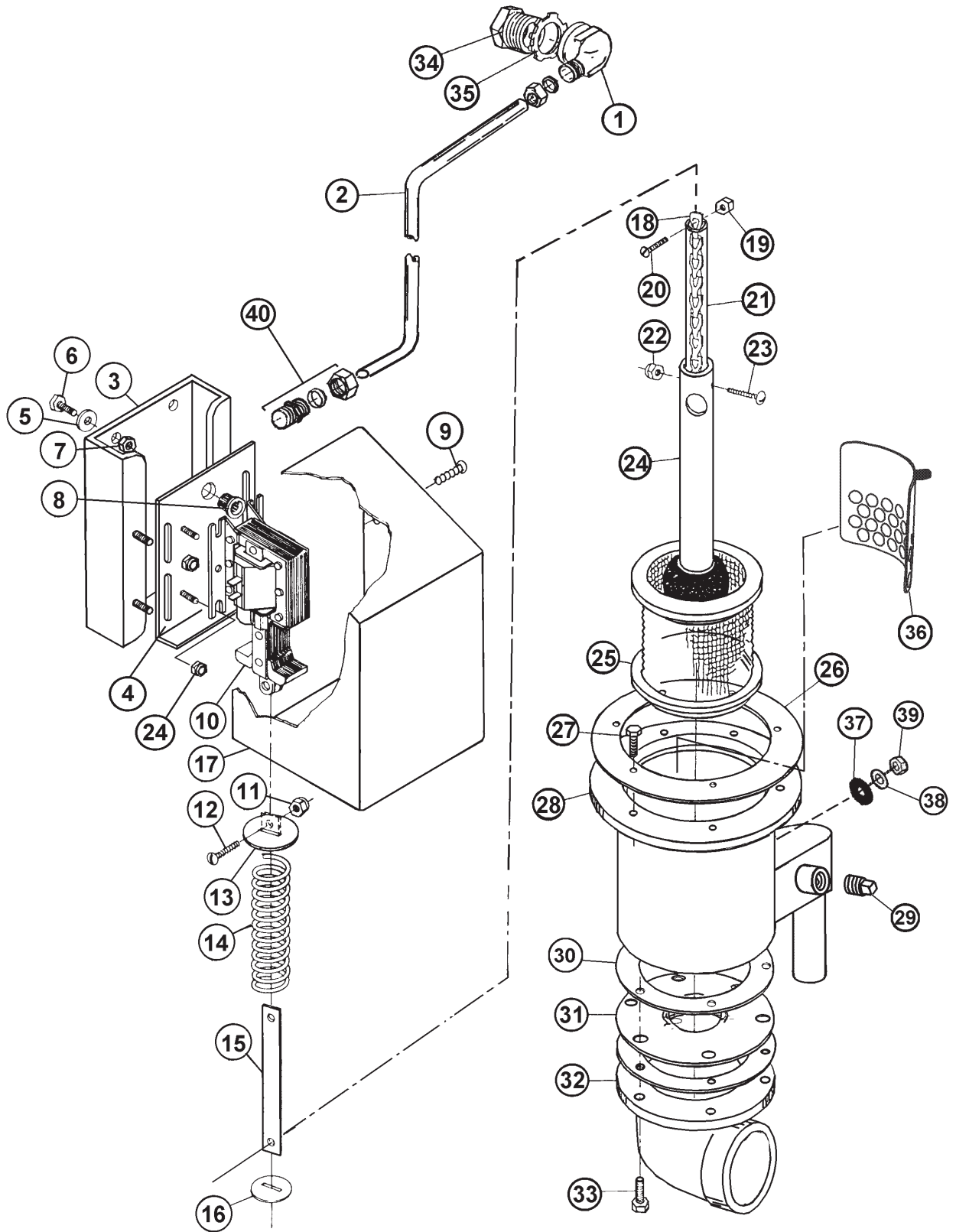
Drain System Assembly LH  
5-AG-S

**American Dish Service**

Ref. No.	Part No.	No. Req.	Description
1	084-6607	1	Conduit, 3/8" Dia. X 5"
2	085-6620	1	Solenoid Base, 5-AG-S, LH
3	085-6622	1	Front Plate, Solenoid Base
4	098-2404	10	Washer, 1/4", SS
5	098-1423	4	Bolt, HH, SS, 1/4-20 x 1/2"
6	098-2507	4	Locknut, SS, 1/4-20
7	091-4005	1	Grommet, Plastic
8	098-1413	2	Bolt, 1/4-20 x 3/8", TH, SS
9	091-2001	1	Solenoid, Drain
10	098-2201	1	Locknut, 8-32, SS, Hex
11	098-1205	1	Screw, RH, SS, 8-32 x 5/8"
12	086-6607	1	1-1/16 Slotted Washer (Large)
13	098-3001	1	Spring, Drain Solenoid, Outside Sump
14	086-6605	1	Link, Drain Solenoid
15	086-6606	1	1-5/16 Slotted Washer (Small)
16	085-6623	1	Cover, Drain Solenoid
17	089-6610	1	Chain, Make From 098-9001
18	098-2201	1	Locknut, 8-32, SS
19	098-1205	1	Screw, RH, SS, 8-32 x 5/8
20	084-6622	1	Chain Cover, Make From 093-1012
21	098-2301	5	Locknut, SS, 10-32
22	098-1311	1	Screw, 10-32 x 1 3/8", RH, SS
23	081-6601	1	Drain Plug Assembly, Outside Sump
Rep.	084-6608		Drain Tube (Replacement Part)
Rep.	083-6601		Drain Ball (Replacement Part), 1 1/2"
24	085-6602	1	Screen Sump
24	089-6601	1	Sump Gasket
26	098-1423	6	Bolt, 1/4-20 x 1/2", HH, SS
27	085-6204	1	Sump Assembly With Tail Piece
28	099-1001	1	Temperature Gauge
29	089-6602	2	Drain Elbow Gasket
30	086-6601	1	Drain Seat, 1 1/2"
31	085-6199	1	Drain Elbow Weldment
32	098-1508	6	Bolt, 5/16-18 x 5/8", HH, SS
33	085-6160	1	Drain Screen, Secondary (To Protect The Pump)







066-1800

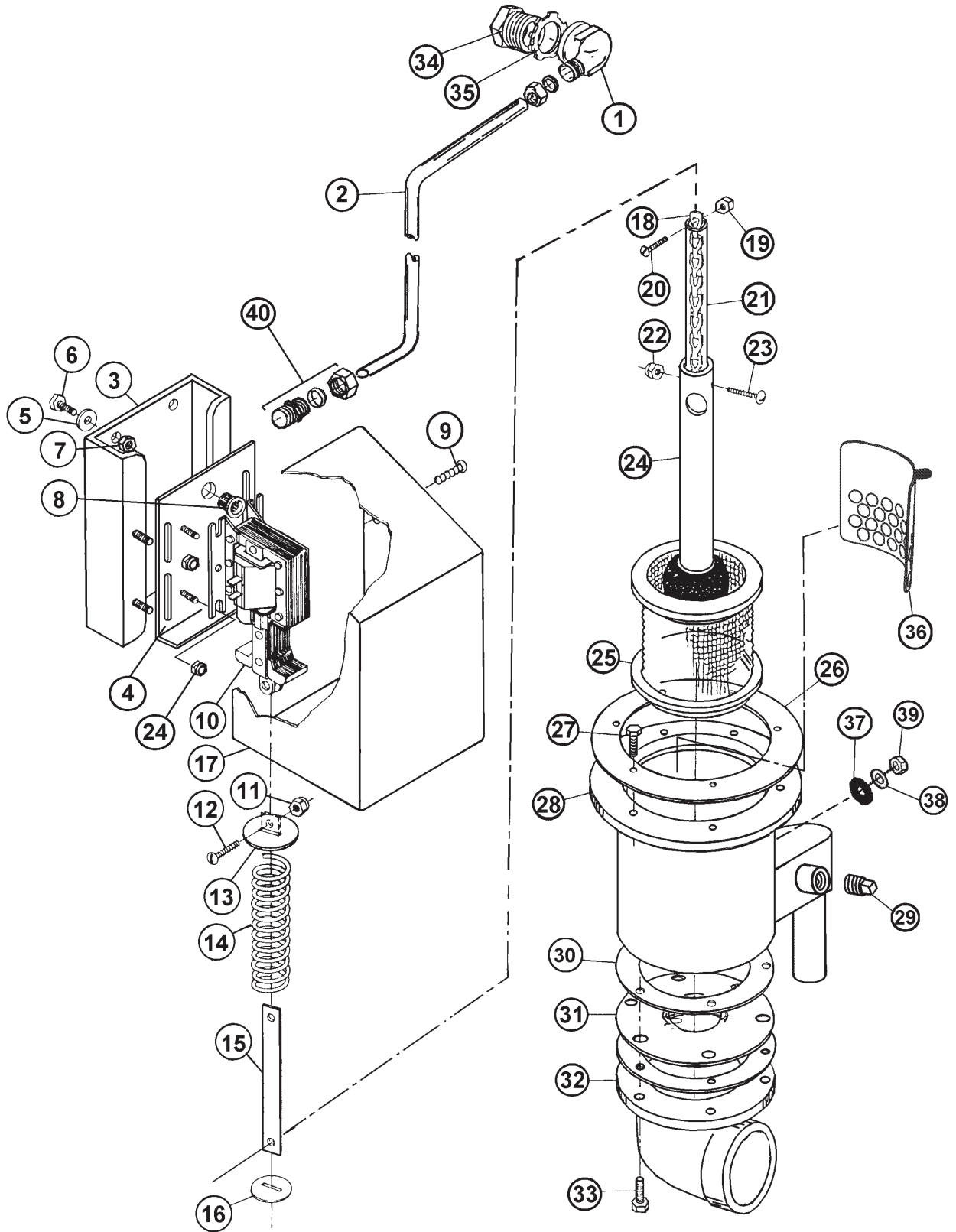
Drain System Assembly RH  
5-AG-S

**American Dish Service**

Ref. No.	Part No.	No. Req.	Description
1	092-1030	1	Conduit Fitting, 3/8" Comp x 1/2" FPT, 90° Elbow
2	086-6674	1	Conduit, 3/8" Dia. x 25"
3	085-6621	1	Solenoid Base, 5-AG-S, RH
4	085-6622	1	Front Plate, Solenoid Base
	098-2404	10	Washer, 1/4", SS
6	098-1423	4	Bolt, HH, SS, 1/4-20x 1/2"
7	098-2507	4	Locknut, SS, 1/4-20
8	091-4005	1	Grommet, Plastic
9	098-1413	2	Bolt, 1/4-20 x 3/8", TH, SS
	091-2001	1	Solenoid, Drain
11	098-2201	1	Locknut, 8-32, SS
12	098-1205	1	Screw, RH, SS, 8-32 x 5/8"
13	086-6607	1	1-1/16" Slotted Washer (Large)
14	098-3001	1	Spring Drain Solenoid, Outside Sump
	086-6605	1	Link, Drain Solenoid, Outside Sump
16	086-6606	1	1-5/16" Slotted Washer (Small)
17	085-6617	1	Solenoid Cover
18	089-6610	1	Chain, Make From 098-9001
19	098-2201	1	Locknut, 8-32, SS
	098-1205	1	Screw, RH, SS, 8-32 x 5/8
21	084-6622	1	Chain Cover, Make From 093-1012
22	098-2301	5	Locknut, SS, 10-32
23	098-1311	1	Screw, RH, SS, 10-32 x 1 3/8
24	081-6601	1	Drain Plug Assembly
Rep.	084-6608		Drain Tube (Replacement Part)
Rep.	083-6601		Drain Ball, 1 1/2" (Replacement Part)
	085-6602	1	Screen Sump
26	089-6601	1	Sump Gasket
27	098-1423	6	Bolt, HH, SS, 1/4-20 x 1/2
28	085-6204	1	Sump Assembly With Tail Piece
29	292-1012	1	Pipe Plug, 1/2" MPT, SS
	089-6602	2	Drain Elbow Gasket
31	086-6601	1	Drain Seat, 1 1/2"
32	085-6199	1	Drain Elbow Weldment
33	098-1508	6	Bolt, 5/16-18 x 5/8", HH, SS
34	092-1029	1	Reducer Bushing, 1/2" x 3/8"
	091-4144	1	Conduit Locknut
36	085-6160	1	Drain Screen, Secondary (To Protect The Pump)

066-1800  
Drain System Assembly RH  
5-AG-S

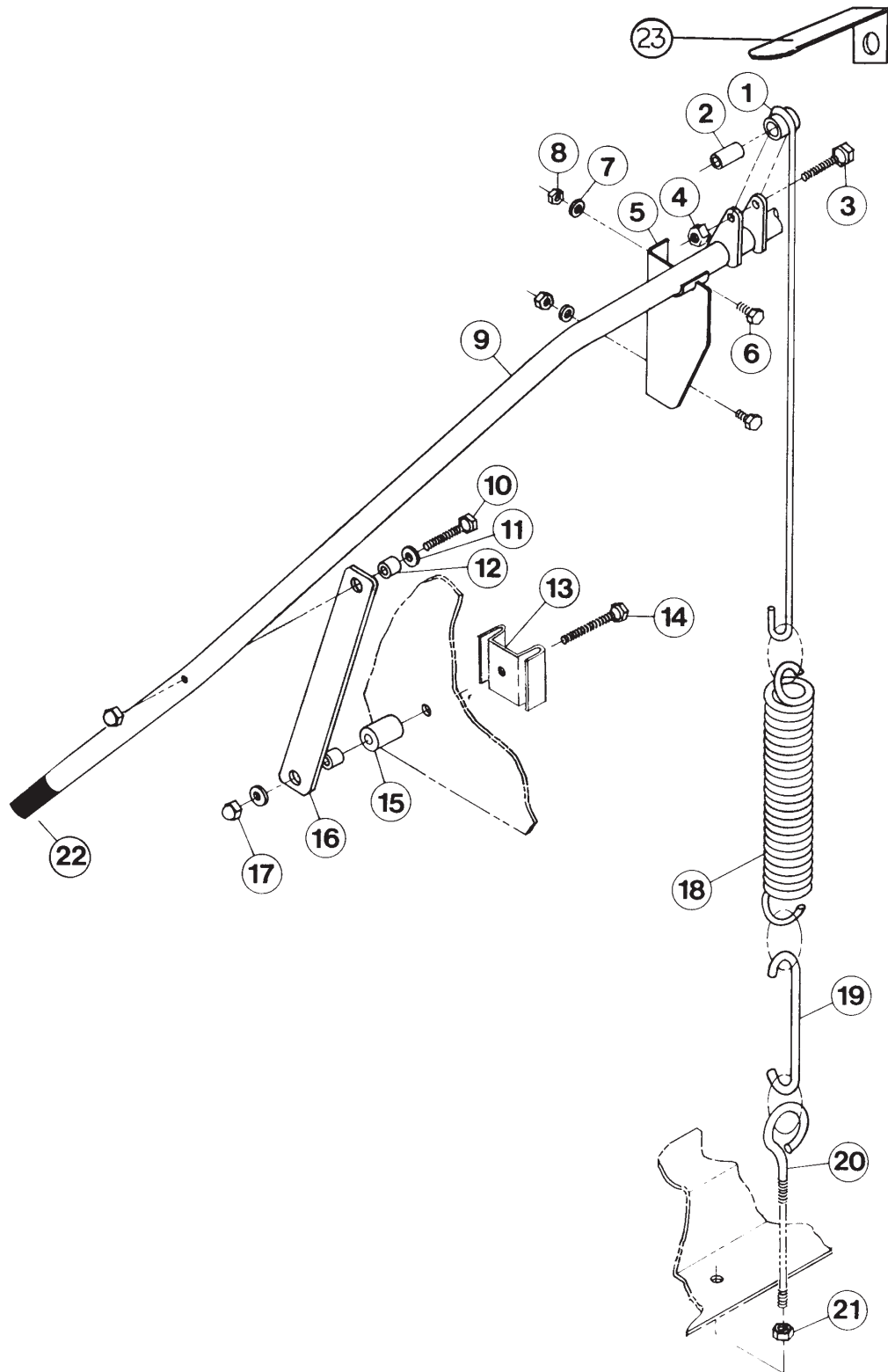
**American Dish Service**



066-1800  
 Drain System Assembly RH  
 5-AG-S

**American Dish Service**

Ref. No.	Part No.	No. Req.	Description
37	098-9028	1	Washer, Rubber Reinforced
38	098-2404	1	Washer, ¼", SS
39	098-2507	1	Locknut, ¼-20, SS
40	092-1091	1	Fitting, 3/8" Comp. x 3/8" MPT
N/S	086-6615	1	Water Fin, Outside Sump





067-1300

Door Actuator Assembly  
5-AG-S

**American Dish Service**

Ref. No.	Part No.	No. Req.	Description
1	085-6701	2	Spring Extension
2	098-4002	2	Bushing, Bronze
3	098-1510	2	Bolt, 5/16 x 1 1/4", HH, SS
4	098-2502	2	Nut, 5/16-18, HH, SS
5	085-6703	1	Arm Support Bracket, LH
N/S	085-6707	1	Arm Support Bracket, RH
6	098-1423	4	Bolt, 1/4-20 x 1/2", HH, SS
7	098-2404	4	Washer, 1/4", SS
8	098-2407	4	Locknut, 1/4-20, SS
9	085-6706	1	Door Operating Arm (Lever Arm), 5-AG-S
10	098-1431	2	Bolt, 1/4-20 x 1 3/8", HH, SS
11	098-2404	6	Washer, 1/4", SS
12	084-6703	4	Bushing (Dowel 3/8")
13	086-6701	2	Door Stop
14	098-1432	2	Bolt, 1/4-20 x 1 3/4", HH, SS
15	084-6702	2	Spacer
16	086-6702	2	Door Link
17	098-2405	4	Cap Locknut, 1/4-20, SS
18	098-3003	2	Door Spring
19	086-6703	2	Spring Extension, Secondary
20	098-1581	2	Eye Bolt, 5/16-18 x 6"
21	098-2502	2	Nut, 5/16-18, HH, SS
22	099-1018	2	Lever Arm End Cap
23	086-6623	1	Lever Arm Cut-Off Bracket, "L"
N/S	098-2503	2	Washer, Copper, 5/16"

# ***American Dish Service***

*Manufacturer of low and high temperature  
Commercial Dishwashers and Glasswashers*

900 Blake Street  
Edwardsville, Kansas 66111  
Ph:(913) 422-3700  
Fax:(913) 422-6630