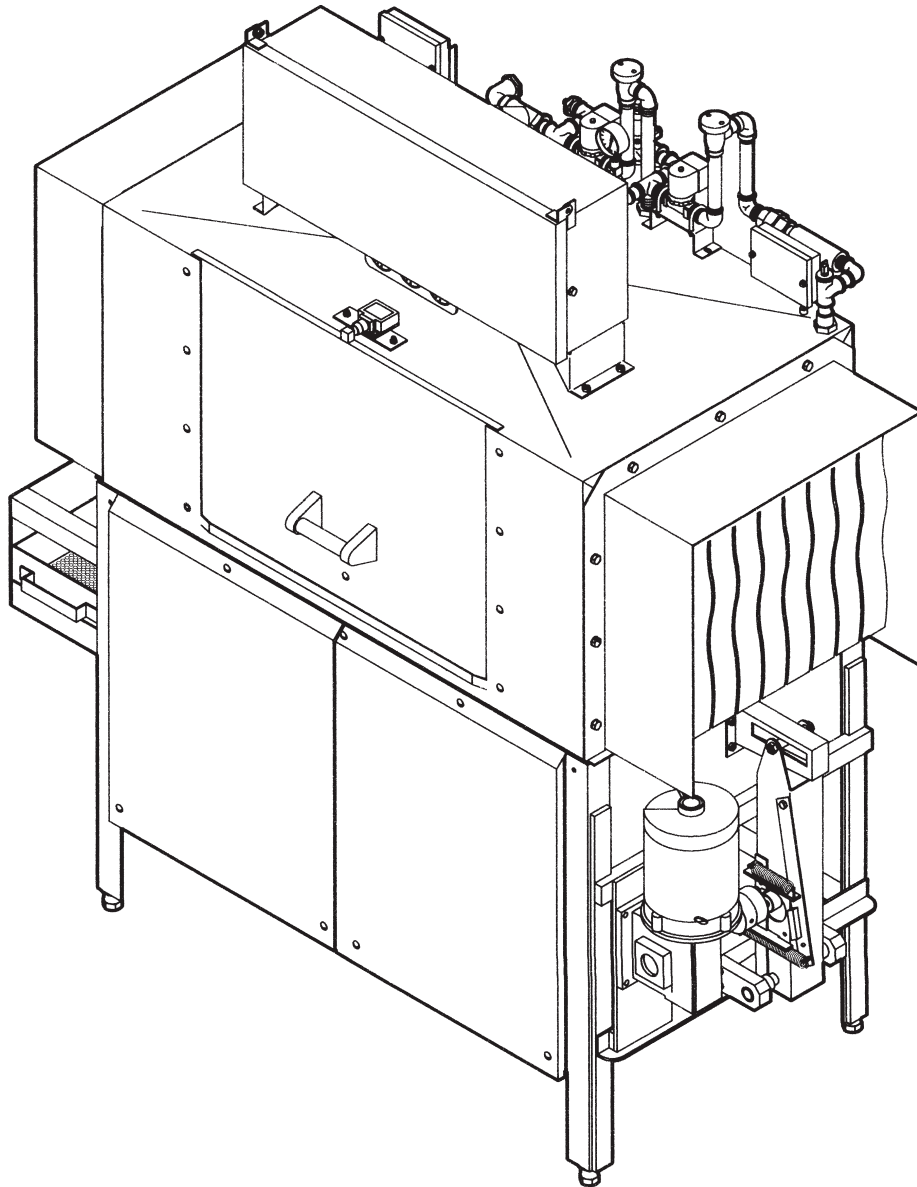


American Dish Service

ADS CONVEYOR DISHWASHER
MODELS: ADC-44 L-R/R-L



PARTS MANUAL

900 Blake Street
Edwardsville, Kansas 66111
(913)422-3700

The **American Dish Service** part numbers contained in this publication are replacement parts for equipment listed with governmental and regulatory agencies and are specified to maintain the regulatory mark and certification. These parts must only be replaced by those who are trained in the operation and service of commercial dishmachines. Aftermarket parts or modified parts are not compliant or listed with the standards of governmental and regulatory agencies; aftermarket parts are not authorized by ADS for replacement repairs. ADS will not be responsible for any liability if parts are used in the repair of the machine that are not ADS-specified, by those installing non-certified replacement parts or attempts to change the machine's cycle or operation other than as designed and certified. **Read the warnings and cautions provided below before working on or replacing parts on any ADS equipment.**



DANGER

The installation of electrical parts contained in this publication require the following precautions:

The electrical power supplied to this machine is an imminent hazard to life that could result in severe bodily injury or death if not properly installed or connected correctly. When working in the control box or on electrical parts, always disconnect power and perform the appropriate lock-out/tag-out procedure before servicing. Replace the cover to the control box and other protective covers when finished with servicing this equipment before returning the machine to normal operation.

LOOSE ELECTRICAL CONNECTIONS: Damage to the equipment can occur if the following precautions are not observed. Before connecting power to the machine, check all electrical terminals in the control box. Screws can loosen in transit. Loose connections on high amp load terminals such as the pump motor and tank heaters will cause wire burning and component damage during operation and will not be covered under ADS warranty.

"CLEAN CIRCUIT" means the electrical circuit breaker for the dishmachine supplies no other outlets, machines, or lights. GFCI outlets are not recommended for commercial dishmachines; ADS recommends that a single-rack machine be installed with the wire connection (hard-wired) directly from the circuit breaker. All high temp and conveyor equipment must be hard wired. If a plug and socket are used to provide electrical power to a dishmachine in a commercial kitchen, then according to electrical code it must be a GFCI, but not all GFCIs are the same. They must be rated for the Amp draw for the designed circuit.

For Reference: The NEC Article 210.8 regarding GFCI Protection (B) Other Than Dwelling Units (2) Commercial and Institutional Kitchens. All 15 and 20A, 125V receptacles installed in kitchens, even those that do not supply the countertop surface, must be GFCI protected.



WARNING

The chemical feeders and controls contained in this publication require the following precautions:

READ Manufacturer's Manual before Using this Product. For your safety read and observe all warnings in these instructions. While performing installation of parts described in this booklet, wear approved Personal Protective Equipment, including chemically resistant gloves and Safety Eye-Wear.

CHEMICALS: There are potentially hazardous situations when working with industrial cleaning chemicals for dishmachines. See chemical manufacturer's safe practices and SDS or MSDS sheets for handling and installing chemicals and supply containers.

Chemicals can damage or corrode plumbing and stainless parts of the dishmachine. Do not run chemical lines over controls or plumbing. Always secure chemical lines and check regularly for leaks. **If not properly handled, chemicals can cause serious bodily injury.** In the event of chemical contact to skin or eyes; wash immediately with fresh water and seek medical attention.

DE-LIMING THE MACHINE: Because of potential hazards resulting from the combination of chlorine with acid solution, only authorized trained individuals must be allowed to de-lime a commercial dishmachine.

CONTAINERS: The ADS chemical delivery system is designed for 5 gallon pails of industrial low-energy chemical products. Always use chemical resistant safety gloves and safety goggles (indirect-vented or non-vented) when changing chemical

CONTAINERS: The ADS chemical delivery system is designed for 5 gallon pails of industrial low-energy chemical products. Always use chemical resistant safety gloves and safety goggles (indirect-vented or non-vented) when changing chemical buckets. Immediately report spills and refer to your chemical suppliers SDS safety data sheet or MSDS material safety data sheet for information if chemical comes in contact with skin or eyes.

Any modifications to the chemical delivery system for smaller containers must include Closed Loop Chemical Containers (spill proof bottles) in a secured racking system. It is the responsibility of the user of the machine to purchase chemicals in spill proof containers. **FAILURE CAN RESULT IN SERIOUS INJURY.** Never place chemicals in open containers or containers that can be easily tipped over when moving or changing product. Failure to do so will void your ADS warranty.

Chemical supplies must be kept in closed delivery containers to avoid spills or contamination. Do not place chemical solutions in open containers or containers that can be easily tipped over in moving or changing.

Do not open the doors while the machine is in operation. Doing so could result in serious bodily injury from spraying hot water and chemicals.



CAUTION

The door lever arm parts in this publication are installed under spring tension and caution is needed whenever parts are changed. Wear safety glasses when working on the doors and lever. Care should be taken when moving, installing, or replacing any door lever arm parts. Use the ADS lever arm tool to unload the door spring during replacement or adjustment. The spring tension suddenly released can result in pinch or blunt trauma, and puncture wounds. If a wound occurs from the release of spring tension, wash the wound area immediately because of the soils that can accumulate on the metal parts and seek medical attention.

NOTICE

BEFORE YOU BEGIN: American Dish Service provides this information as a service to our customers. **Keep all instructions for future reference.** ADS reserves the right to alter or update this information at any time. Should you desire to make sure that you have the most up-to-date information, we would direct you to the appropriate document on our web site: www.americandish.com. **It is your obligation as the customer to ensure that the replacement parts for the machine are installed safely and properly, and when completed, the machine is left in proper and safe working order.** Electrical, Plumbing, and Chemical hookup must be performed by a qualified professional who will ensure that the equipment is installed in accordance with all applicable Codes, Ordinances, and Safety requirements. Failure to follow the installation instructions will void the warranty. **ADS assumes no liability or control over the installation of the equipment or replacement parts. Product failure due to improper installation is not covered under the ADS Warranty.**

Plumbing parts:

When working on the water inlet manifold, first relieve the water line pressure by turning off the water supply to the machine then energize the machine's fill valve. By doing this the manifold will empty of water. Turn off the electrical power and lock out/tag out the machine. It will then be safe to open the plumbing inlet manifold.

TANKLESS WATER HEATERS have shown to be problematic for commercial dishmachines. It has been the experience of ADS that tankless supply systems require multiple units plumbed in sequence with a recirculation loop to achieve proper pressure and temperature.

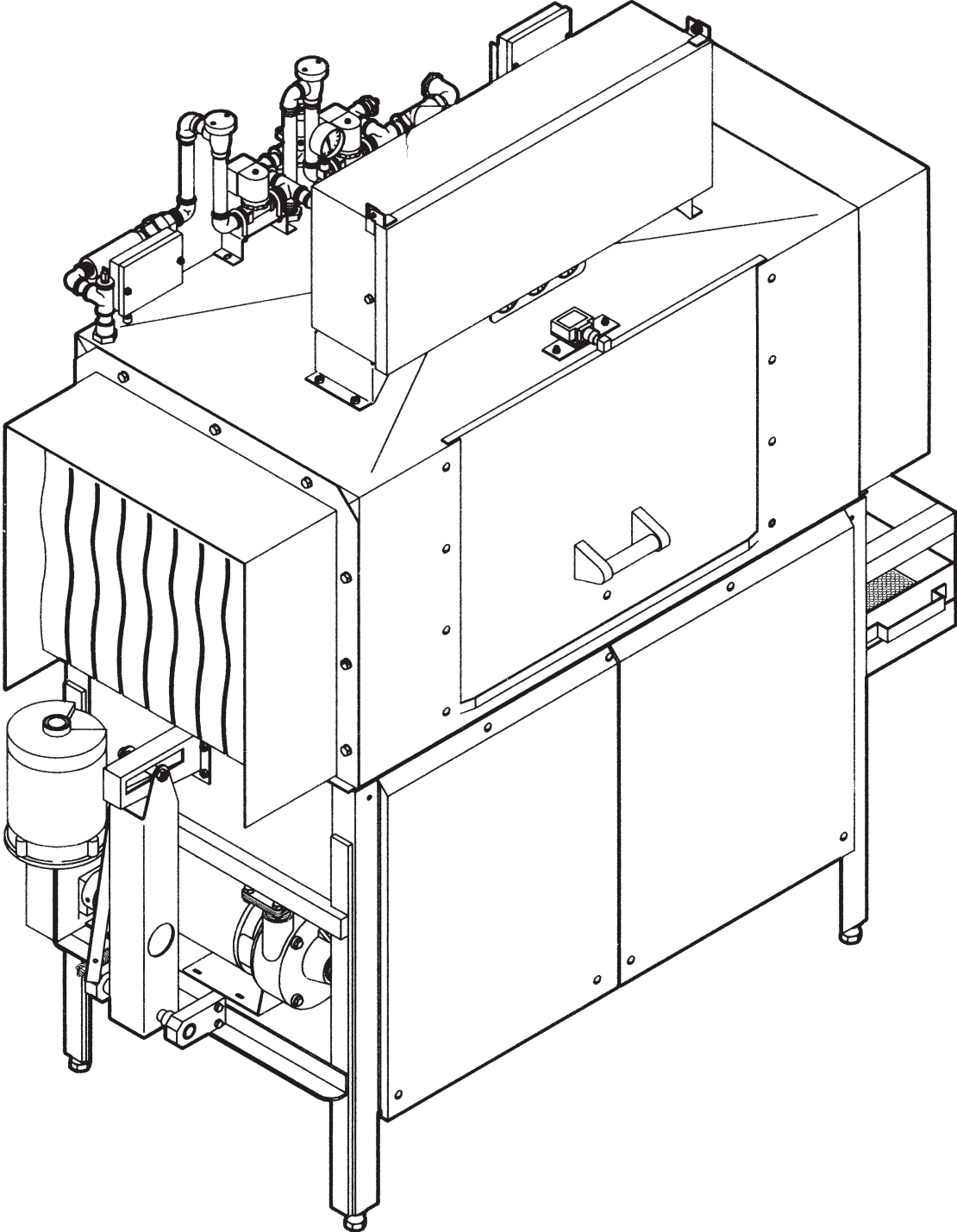
Check with the tankless water heater manufacturer, they may recommend a storage tank to guarantee proper flow and line pressure to the machine. **Failure to provide adequate water quantity, pressure and temperature to the machine will cause the machine to function improperly and is not the responsibility of ADS. Improperly installing ADS equipment or parts in this manner could void the warranty.** All costs associated with providing an adequate water supply to the machine is the sole responsibility of the user.

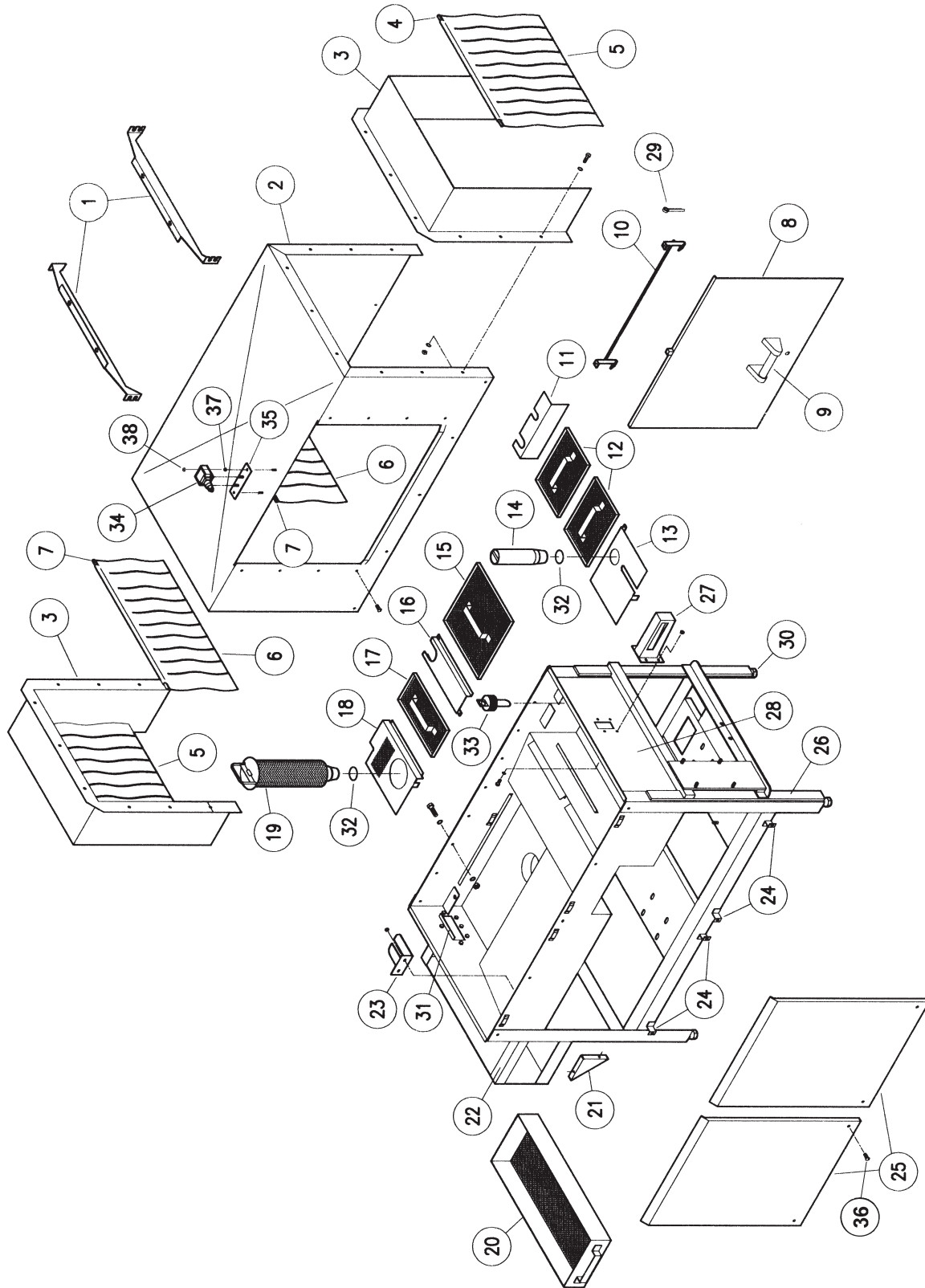
Drain replacement parts should not be reduced in size, all drain lines should remain the same size as it exits the dishmachine or larger. If you have questions, call 800-922-2178 or visit our website at www.AmericanDish.com

211-0044L-R / 212-0044R-L

ADC-44 Conveyor
Dishwasher

American Dish Service

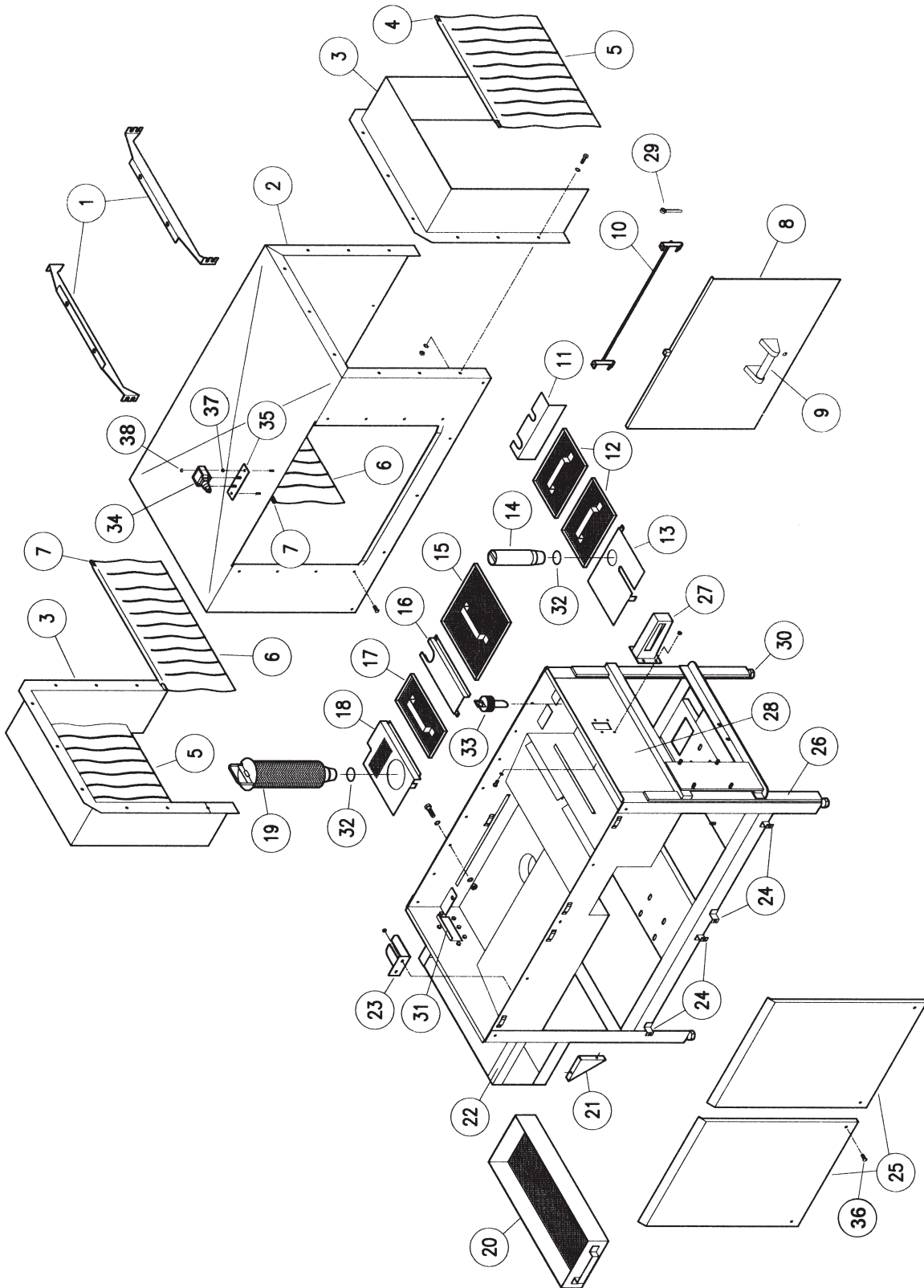


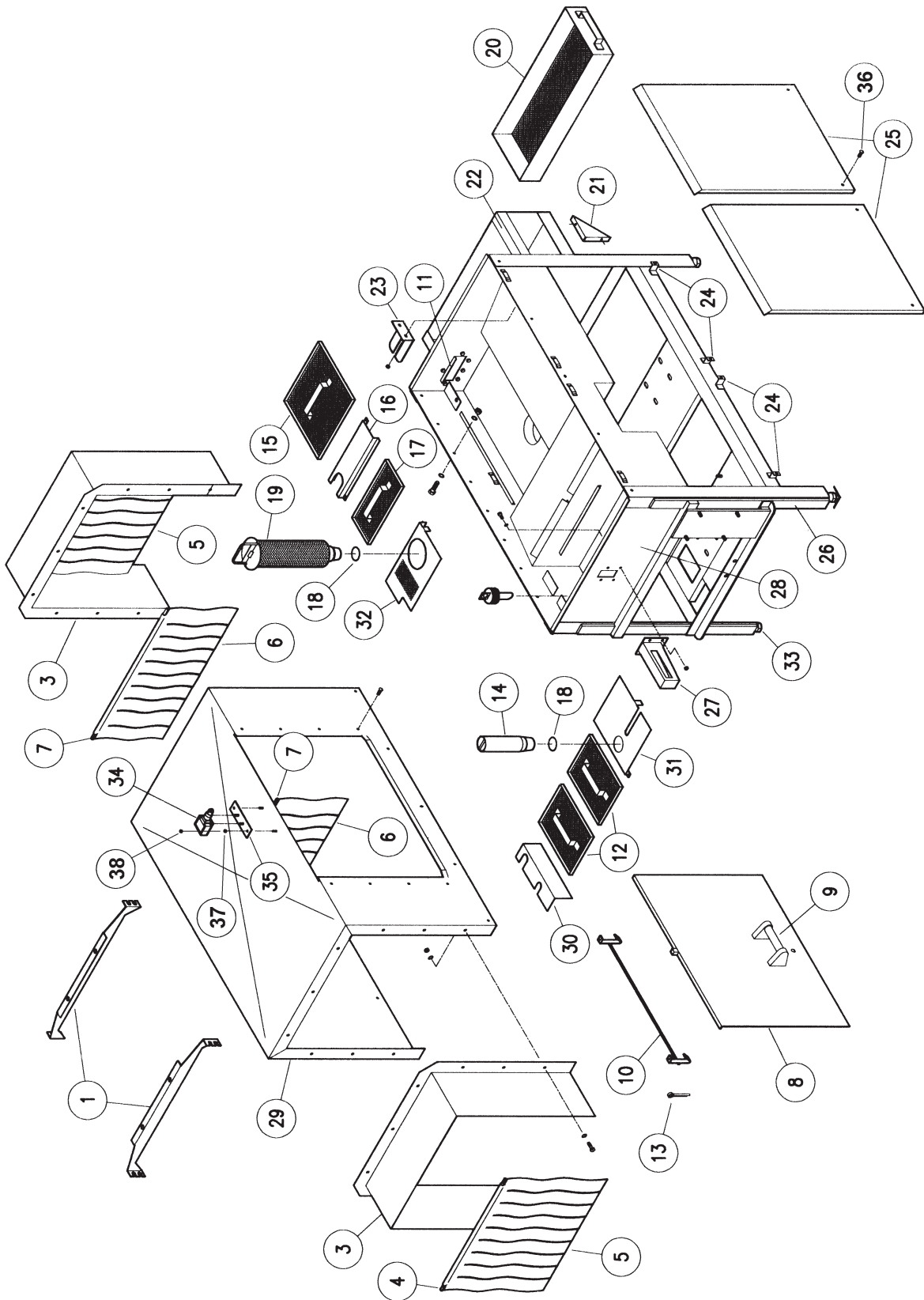


261-0100
Cabinet Assembly
ADC-44 L-R

American Dish Service

Ref. No.	Part No.	No. Req.	Description
1	287-6124	2	Support, Hood Top
2	285-6144	1	Hood Weldment, L-R
3	285-6115	2	Hood End Shield Weldment
N/S	285-6116	Opt. 2	Vent Weldment, Hood End Shield
4	284-6122	2	Rod, Curtain 5/16" x 20.5" Lg
5	299-1001	2	Curtain 21" Wide x 17" Tall
6	299-1002	2	Curtain 23" Wide x 11" Tall
7	284-6121	2	Rod, Curtain 5/16" x 23.5" Lg
8	285-6124	1	Door Weldment, Front Access
N/S	287-6123	2	Door Guide, SS
9	285-6139	1	Handle Weldment, Front Access Door
10	285-6125	1	Latch Weldment, Door
11	285-6152	1	Cover Weldment, Rinse Float, L-R
12	285-6123	2	Screen Weldment, Rinse Tank
13	286-6200	1	Plate, Rinse Stand Tube, L-R
14	285-6172	1	Plug Weldment, Rinse Stand Tube
N/S	281-6210		Drain Stand Tube, with O-Ring, Rinse Tank
15	285-6145	1	Screen Weldment, Wash Tank Large L-R
16	286-6179	1	Cover, Wash Manifold
17	285-6122	1	Screen Weldment, Wash Small
18	286-6197	1	Plate, Wash Pump Filter L-R
19	285-6174	1	Filter Weldment, Wash Pump w/Taper
N/S	281-6211		Filter, Wash Pump with O-Ring
20	289-9109	1	Tray, Scrap Trap, Complete
21	289-9114	1	Support, Scrap Trap
22	289-9111	1	Scrap Trap
23	286-6182	1	Guard, Wash Magnet
24	285-6151	4	Mount Weldment, Lower, Front Panel
25	285-6120	2	Panel Weldment, Front
26	285-6150	1	Frame Weldment, L-R
27	285-6119	1	Drip Chute Weldment
N/S	289-6601	1	Gasket, Drip Chute
28	285-6182	1	Pan Weldment, L-R
29	098-8008	2	Cotter Pin, 3/32 x 1" SS

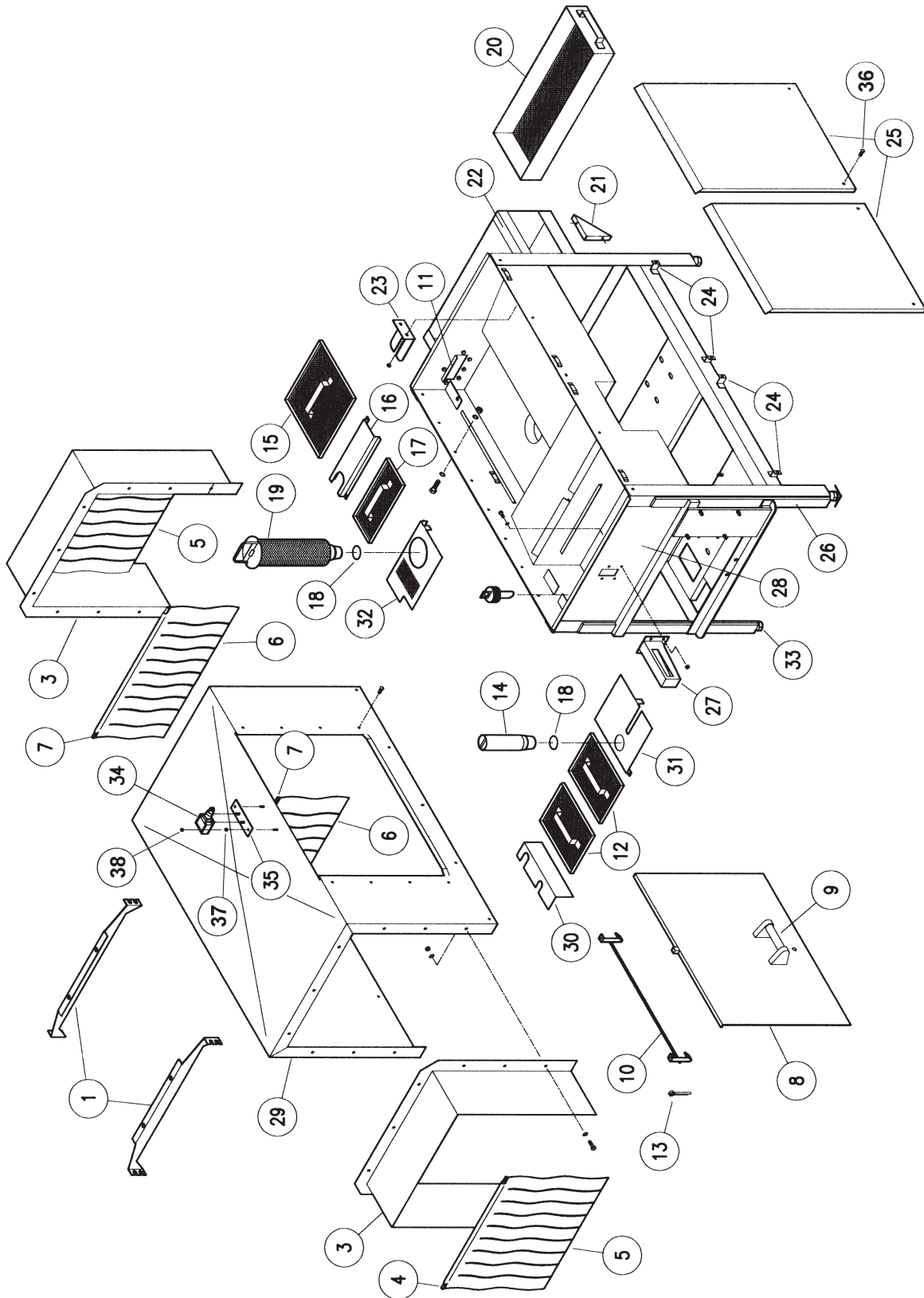




261-0200
Cabinet Assembly
ADC-44 R-L

American Dish Service

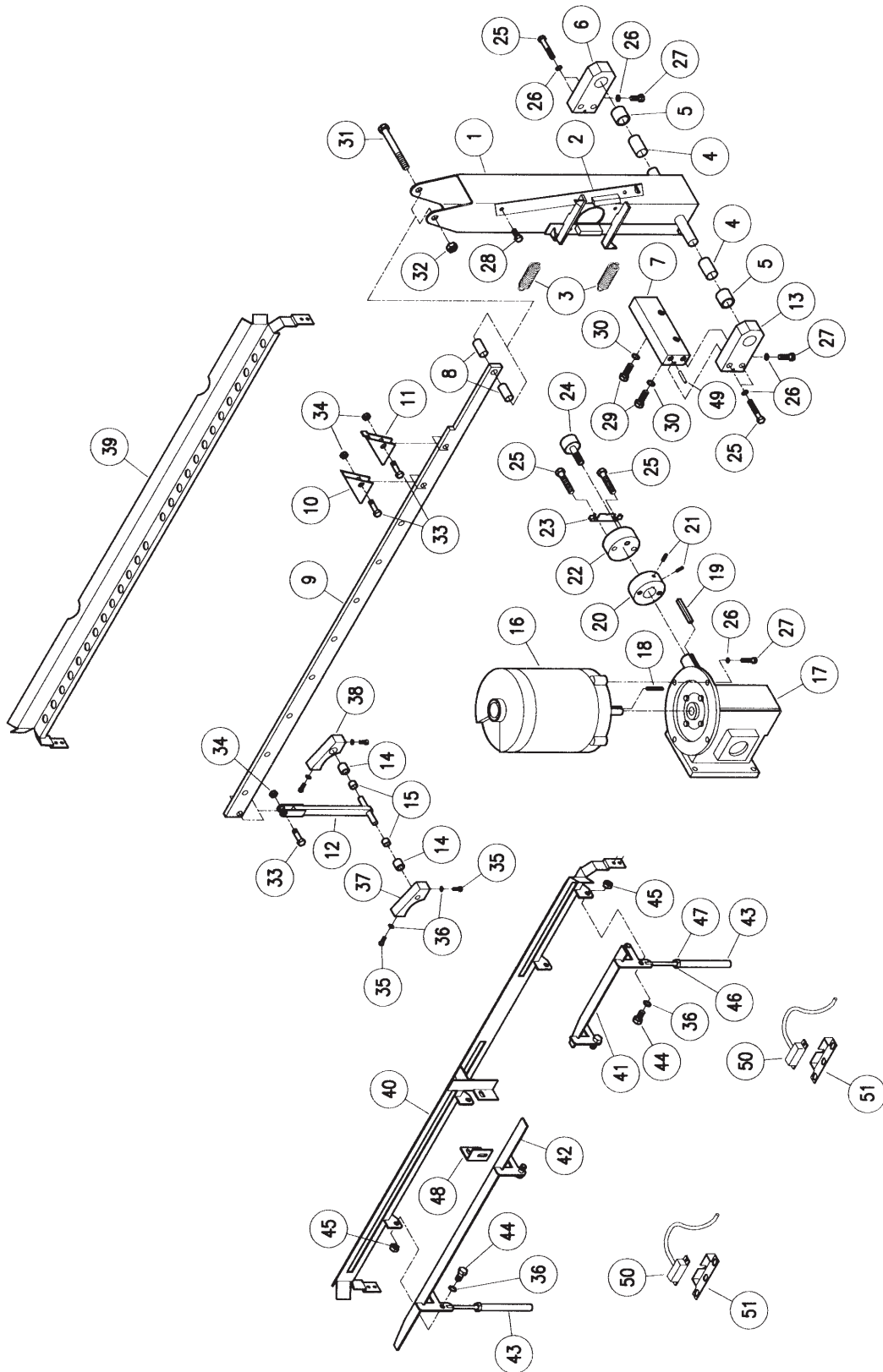
Ref. No.	Part No.	No. Req.	Description
1	287-6124	2	Support, Hood Top
2	285-6162	1	Filter Screen Weldment, Rinse Pump
3	285-6115	2	Hood End Shield Weldment
N/S	285-6116	Opt-2	Vent Weldment, Hood End Shield
4	284-6122	2	Rod, Curtain 5/16" x 20.5" Lg
5	299-1001	2	Curtain 21" Wide x 17" Tall
6	299-1002	2	Curtain 23" Wide x 11" Tall
7	284-6121	2	Rod, Curtain 5/16" x 23.5" Lg
8	285-6124	1	Door Weldment, Front Access
N/S	287-6123	2	Door Guide, SS
9	285-6139	1	Handle Weldment, Front Access Door
10	285-6125	1	Latch Weldment, Door
11	285-6132	1	Spacer Weldment, Scrap Trap
N/S	289-6602	2	Gasket, Scrap Trap Spacer
12	285-6123	2	Screen, Weldment Tank
13	098-8008	2	Cotter Pin, 3/32 x 1" SS
14	285-6172	1	Plug Weldment, Rinse Stand Tube
N/S	281-6210		Drain Stand Tube with O-Ring, Rinse Tank
15	285-6121	1	Screen Weldment, Wash R-L, Large
16	286-6179	1	Cover, Wash Manifold
17	285-6122	1	Screen Weldment, Wash Small
18	289-6611	2	Gasket, 'O' Ring Wash/Rinse Taper
19	285-6174	1	Filter Weldment, Wash Pump, w/Taper
N/S	281-6211		Filter, Wash Pump with O-Ring
20	289-9109	1	Tray, Scrap Trap, Complete
21	289-9114	1	Support, Scrap Trap
22	289-9110	1	Scrap Trap
23	286-6182	1	Guard, Wash Magnet
24	285-6151	4	Front Panel Mount Weldment, Lower
25	285-6120	2	Panel Weldment, Front
26	285-6118	1	Frame Weldment, R-L
27	285-6119	1	Drip Chute Weldment
N/S	289-6601	1	Gasket, Drip Chute
28	285-6117	1	Pan Weldment, R-L



261-0200
 Cabinet Assembly
 ADC-44 R-L

American Dish Service

Ref. No.	Part No.	No. Req.	Description
29	285-6114	1	Hood Weldment, R-L
30	285-6126	1	Cover Weldment, Rinse Float, R-L
31	286-6176	1	Plate, Rinse Stand Tube, R-L
32	286-6174	1	Plate, Wash Pump Filter, R-L
33	099-1024	4	Bullet Feet
34	099-4502	1	Switch, Door Cut-Off
35	285-6103	1	Bracket, Door Cut-Off
N/S	285-6131	1	Cover, Transfer Chute, Weldment
36	098-1414	4	Bolt, ¼-20 x ½", TH, SS
37	098-2507	2	Locknut, ¼-20, SS
38	098-2301	2	Locknut, 10-32, SS
N/S	286-6247	OBS	Baffles, Hood End Shield Vent, OBSOLETE

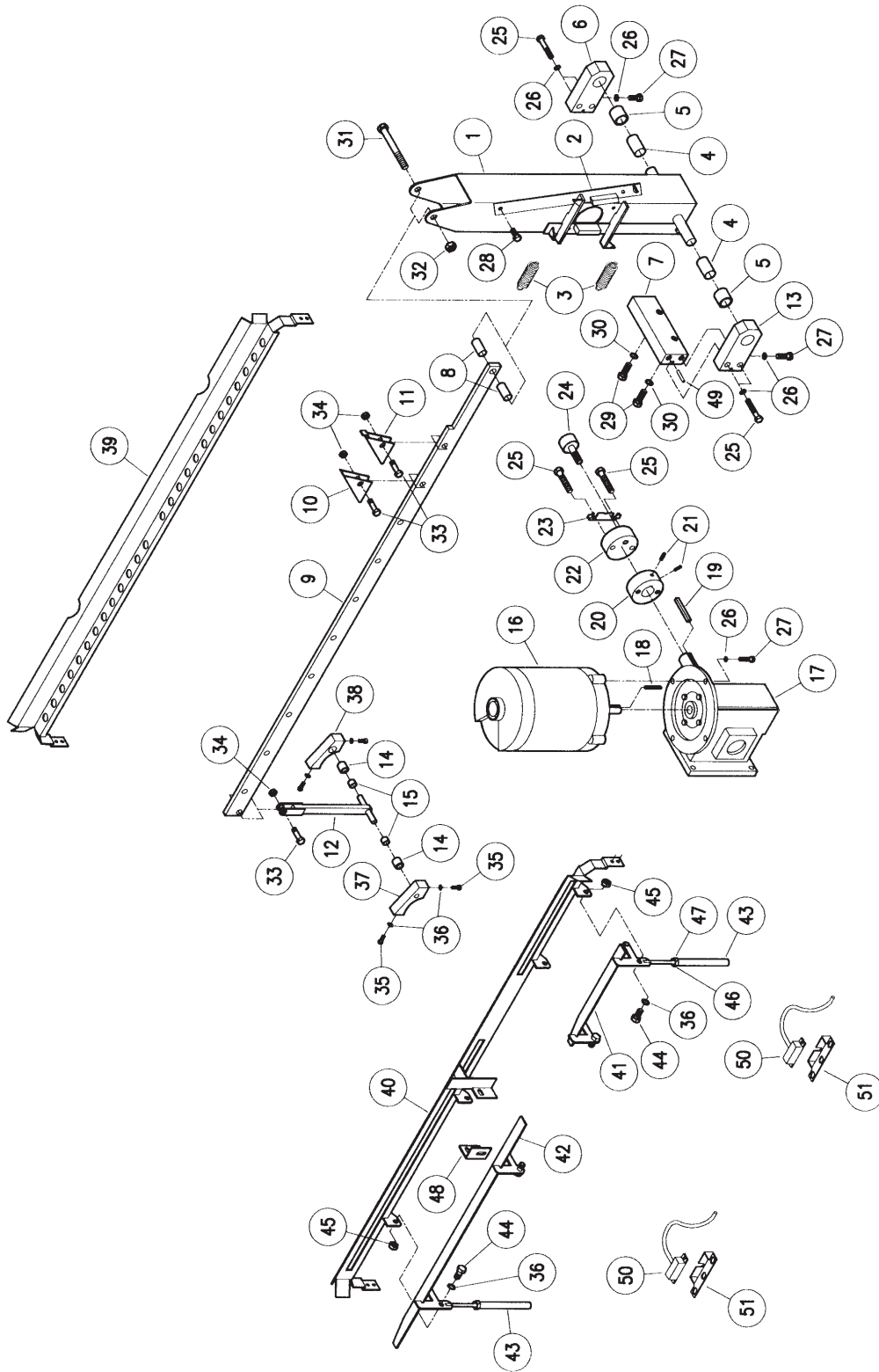


268-0600

Conveyor Drive & Tray Track
Control, ADC-44 L-R

American Dish Service

Ref. No.	Part No.	No. Req.	Description
1	285-6133	1	Rocker Arm Weldment
2	285-6134	2	Slip Clutch Bar Weldment
3	298-3001	2	Spring, Slip Clutch
4	284-6142	2	Spacer, Rocker Arm
5	298-4001	2	Bushing, Rocker Arm, 1" OD x 3/4" ID x 7/8" Lg
6	284-6141	1	Block, Pillow Bushing, RH
7	284-6139	1	Block, Base, Pillow Bushing
8	284-6149	2	Spacer, Conveyor Connecting Bolt
9	284-6138	1	Bar, Conveyor
N/S	284-6187	Opt.	Bar, Side Loader Conveyor
N/S	285-6187	Opt.	Guide Weldment, Side Loader Bar
10	285-6136	8	Dog Weldment, Conveyor
11	285-6137	2	Exit Dog Weldment, Conveyor
N/S	285-6138	Opt.	Side Loader Dog Weldment, Conveyor
12	285-6135	1	Idler Arm Weldment
13	284-6140	1	Block, Pillow Bushing LH
14	298-4002	2	Bushing, Idler Arm, 5/8" OD x 3/8" ID x 5/8" Lg
15	284-6143	2	Spacer, Idler Arm, 5/8" OD x 3/8" ID x 3/8" Lg
16	291-1003	1	Motor 1/3 HP, 3PH
N/S	291-1007	Opt.	Motor 1/3 HP, 1PH
N/S	299-1008	1	Cover, Conveyor Drive Motor w/Screws
17	291-1004	1	Gear Box (53:1)
N/S	291-1008	Opt.	Gear Box (60:1)
18	284-6201	1	Key, Conveyor Drive Motor
19	284-6137	1	Key, Cam Block
20	284-6134	1	Cam Block (A) Gear Box Side
21	098-1441	2	Screw, Set, 1/4-20 x 1/2" Lg
22	284-6135	1	Cam Block (B) Cam Follower Side
23	286-6189	1	Bolt Lock, Cam Follower
24	281-6201	1	Bearing, Cam Follower
25	098-1611	4	Bolt, 3/8-16 x 2" Lg, HH, SS
26	098-2710	10	Washer, 3/8", Split, SS
27	098-1614	6	Bolt, 3/8" x 1", HH, SS
28	098-1506	2	Bolt, 5/16-18 x 3/4" Lg, HH, SS

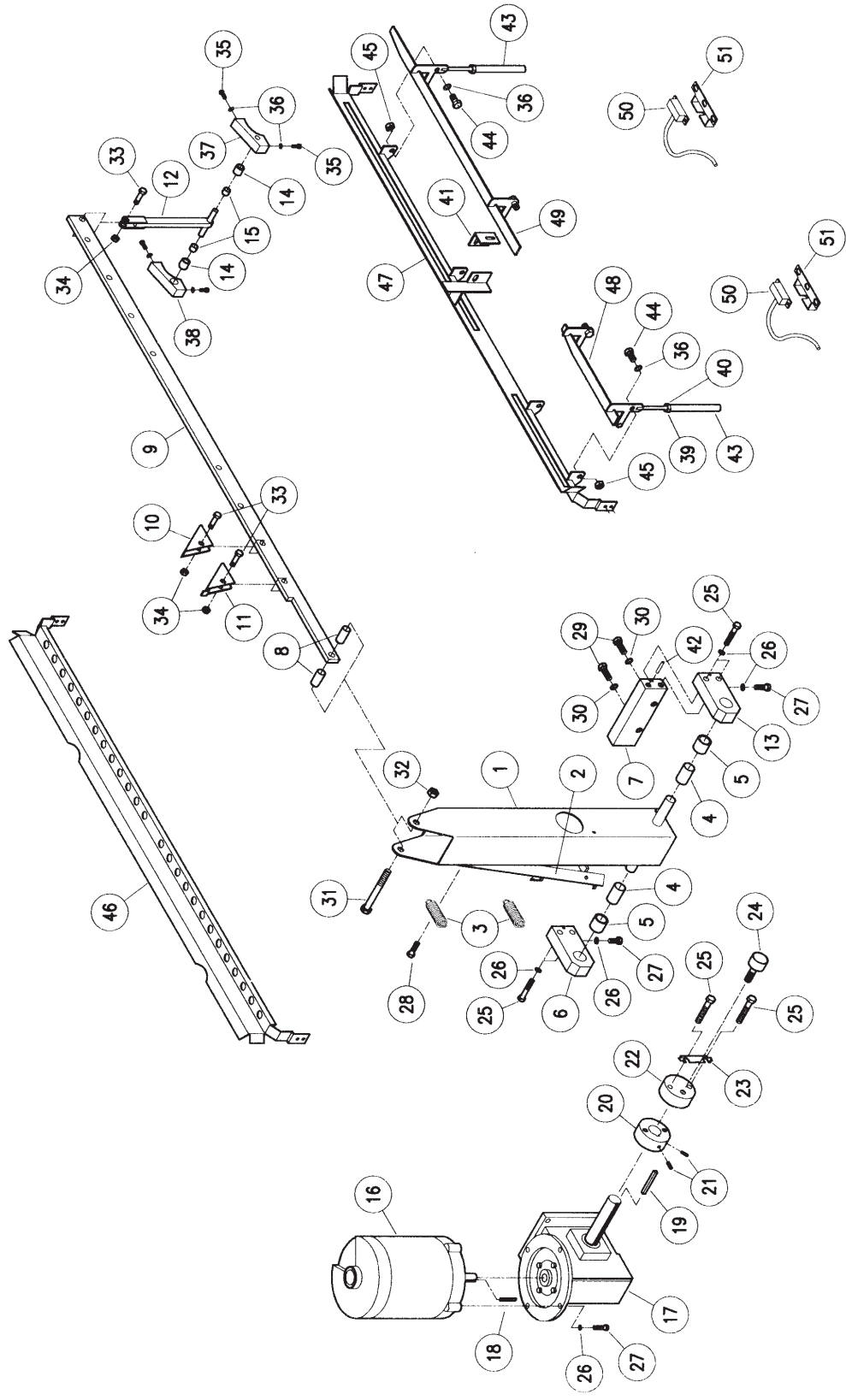


268-0600

Conveyor Drive & Tray Track
Control, ADC-44 L-R

American Dish Service

Ref. No.	Part No.	No. Req.	Description
29	098-1802	2	Bolt, 1/2-13 x 1 1/4" Lg, HH, SS
30	098-2802	2	Washer, 1/2", Split, SS
31	098-1801	1	Bolt, 1/2-13 x 4" Lg, HH, SS
32	098-2801	1	Locknut, 1/2"-13
33	098-1612	11	Dog Bolt, 3/8-16 x 1 1/8" with 3/4" Shoulder
34	098-2708	11	Locknut, 3/8-16 SS
35	098-1424	4	Bolt, 1/4-20 x 3/8" Lg, HH, SS
36	098-2404	12	Washer, 1/4", SS
37	284-6130	1	Bushing Mount, Idler Arm (A)
38	284-6131	1	Bushing Mount, Idler Arm (B)
39	285-6113	1	Tray Track Weldment, Rear, L-R
40	285-6112	1	Tray Track Weldment, Front L-R
41	285-6108	1	Tray Track Sequence Bar Weldment, Rinse
42	285-6107	1	Tray Track Sequence Bar Weldment, Wash
43	285-6109	2	Magnet Weldment, Tray Track Sequence Bar
44	098-1428	4	Bolt, 1/4-20 x 1" Lg, HH, SS
45	098-2407	4	Locknut, 1/4-20, SS
46	098-2506	2	Washer, 5/16 Split, SS
47	098-2501	2	Locknut, 5/16-18, SS
48	286-6178	2	Bracket, Tray Track Mount
49	098-8009	2	Dowel Pin 3/16" x 1" Lg, SS
50	291-3011	2	Switch, Reed
51	286-6113	2	Bracket, Reed Switch
N/S	288-1047	Rep	Conveyor Drive Motor and Gear Box Assembly
N/S	288-1053	Tool	Tool, Conveyor Clutch Spring

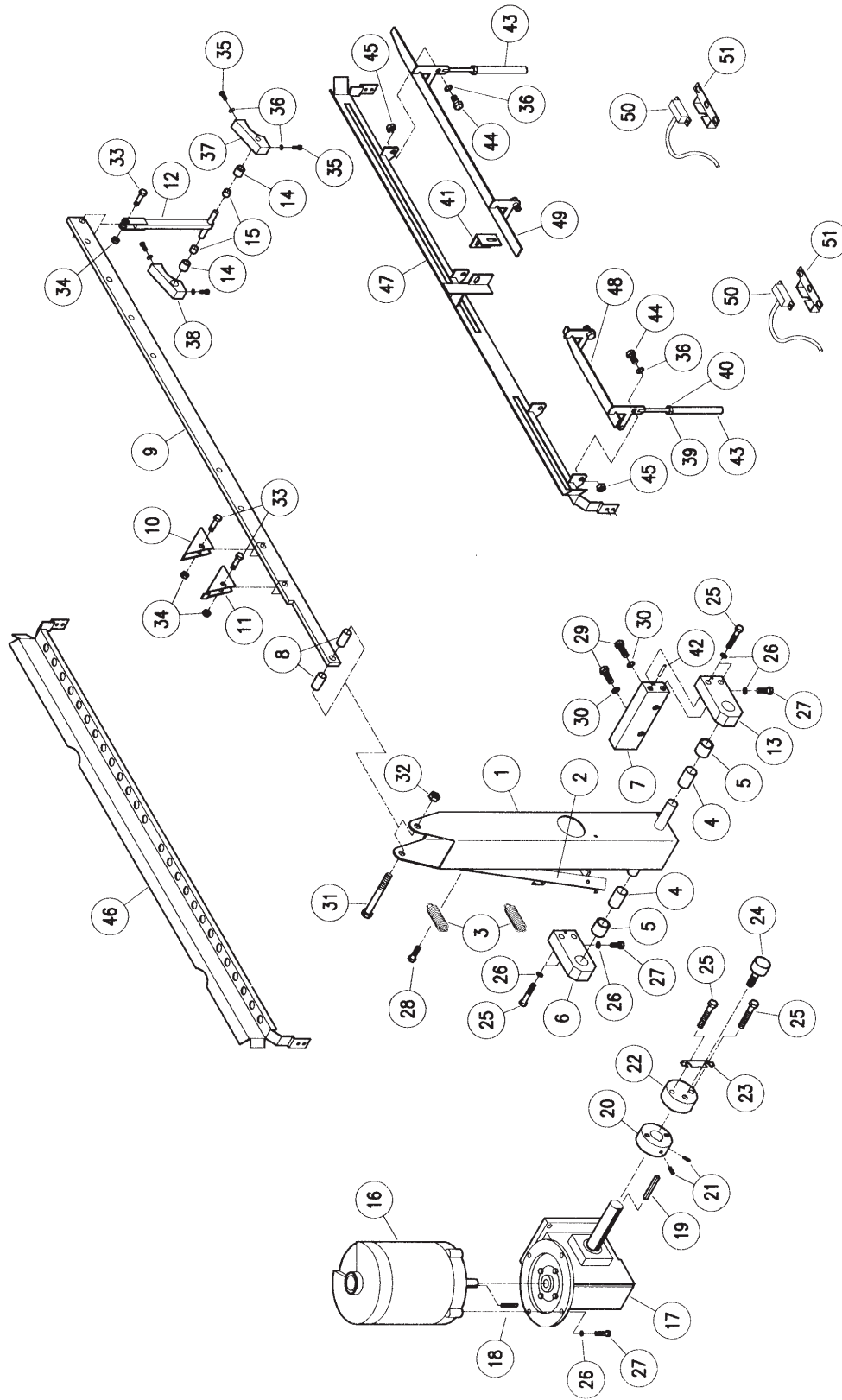


268-0700

Conveyor Drive & Tray Track
Control, ADC-44 R-L

American Dish Service

Ref. No.	Part No.	No. Req.	Description
1	285-6133	1	Rocker Arm Weldment
2	285-6134	2	Slip Clutch Bar Weldment
3	298-3001	2	Spring, Slip Clutch
4	284-6142	2	Spacer, Rocker Arm
5	298-4001	2	Bushing, Rocker Arm, 1" OD x 3/4" ID x 7/8" Lg
6	284-6140	1	Block, Pillow Bushing LH
7	284-6139	1	Block, Base, Pillow Bushing
8	284-6149	2	Spacer, Conveyor Connecting Bolt
9	284-6138	1	Bar, Conveyor
N/S	284-6187	Opt.	Bar, Side Loader Conveyor
N/S	285-6787	Opt.	Guide Weldment, Side Loader bar
10	285-6136	8	Dog Weldment, Conveyor
11	285-6137	2	Exit Dog Weldment, Conveyor
N/S	285-6138	Opt.	Side Loader Dog Weldment, Conveyor
12	285-6135	1	Idler Arm Weldment
13	284-6141	1	Block, Pillow Bushing RH
14	298-4002	2	Bushing, Idler Arm, 5/8" OD x 3/8" ID x 5/8" Lg
15	284-6143	2	Spacer, Idler Arm, 5/8" OD x 3/8" ID x 3/8" Lg
16	291-1003	1	Motor, 1/3 HP 3ph
N/S	291-1007	Opt.	Motor, 1/3 HP 1ph
N/S	288-1008	1	Cover, Conveyor Drive Motor w/Screws
17	291-1004	1	Gear Box (53:1)
N/S	291-1008	Opt.	Gear Box (60:1) Old Style
18	284-6201	1	Key, Conveyor Drive Motor
19	284-6137	1	Key, Cam Block
20	284-6134	1	Cam Block (A) Gear Box Side
21	098-1441	2	Screw, Set, 1/4-20 x 1/2" Lg
22	284-6135	1	Cam Block (B) Cam Follower Side
23	286-6189	1	Bolt Lock, Cam Follower
24	281-6201	1	Bearing, Cam Follower
25	098-1611	4	Bolt, 3/8-16 x 2" Lg, HH, SS
26	098-2710	10	Washer, 3/8" Split, SS
27	098-1614	6	Bolt, 3/8" x 1 HH, SS
28	098-1506	2	Bolt, 5/16-18 x 3/4 " Lg, HH, SS

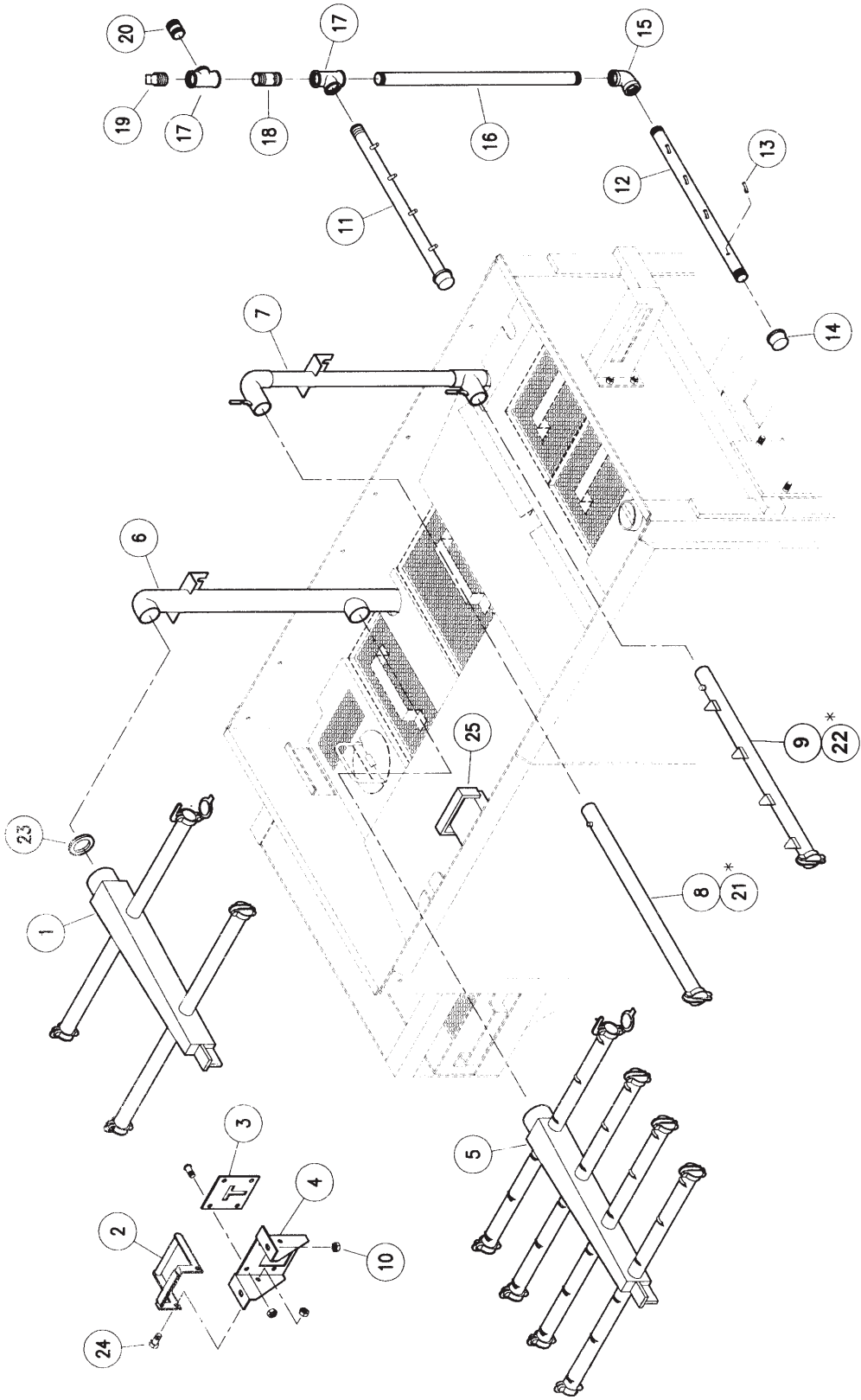


268-0700

Conveyor Drive & Tray Track
Control, ADC-44 R-L

American Dish Service

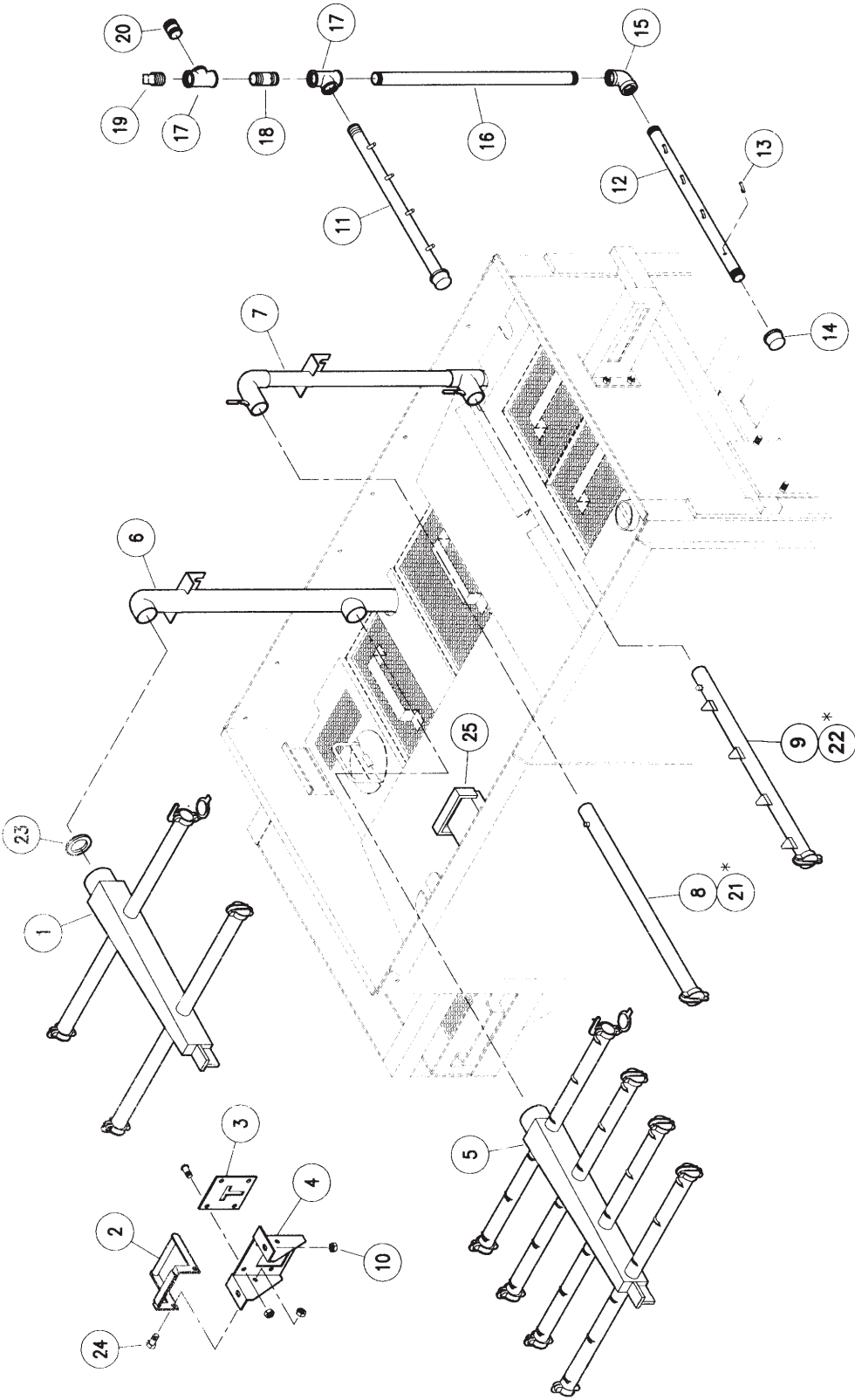
Ref. No.	Part No.	No. Req.	Description
29	098-1802	2	Bolt, 1/2-13 x 1 1/4" Lg HH, SS
30	098-2802	2	Washer, 1/2" Split, SS
31	098-1801	1	Bolt 1/2-13 x 4" Lg HH, SS
32	098-2801	1	Locknut, 1/2"-13
33	098-1612	11	Dog Bolt 3/8-16 x 1 1/8" Lg with 3/4" Shoulder
34	098-2708	11	Nut, Lock, 3/8-16, SS
35	098-1424	4	Bolt, 1/4-20 x 3/8" Lg HH, SS
36	098-2404	12	Washer, 1/4", SS
37	284-6132	1	Bushing Mount, Idler Arm (C)
38	284-6133	1	Bushing Mount, Idler Arm (D)
39	098-2506	2	Washer, 5/16 Split, SS
40	098-2501	2	Nut, Lock 5/16-18 SS
41	286-6178	2	Bracket, Tray Track Mount
42	098-8009	2	Dowel Pin 3/16" x 1" Lg, SS
43	285-6109	2	Magnet Weldment, Tray Track Sequence Bar
44	098-1428	4	Bolt, 1/4-20 x 1" Lg HH, SS
45	098-2407	4	Nut, Lock, 1/4-20, SS
46	285-6111	1	Tray Track Weldment, Rear R-L
47	285-6110	1	Tray Track Weldment, Front R-L
48	285-6106	1	Tray Track Weldment Sequence Bar, Rinse R-L
49	285-6105	1	Tray Track Weldment Sequence Bar, Wash R-L
50	291-3011	1	Switch, Reed
51	286-6113	1	Bracket, Reed Switch
N/S	288-1047	Rep	Conveyor Drive Motor and Gear Box Assembly
N/S	288-1053	Tool	Tool, Conveyor Clutch Spring



265-0300L-R / 265-0400R-L
 Spray System Assemblies
 ADC-44

American Dish Service

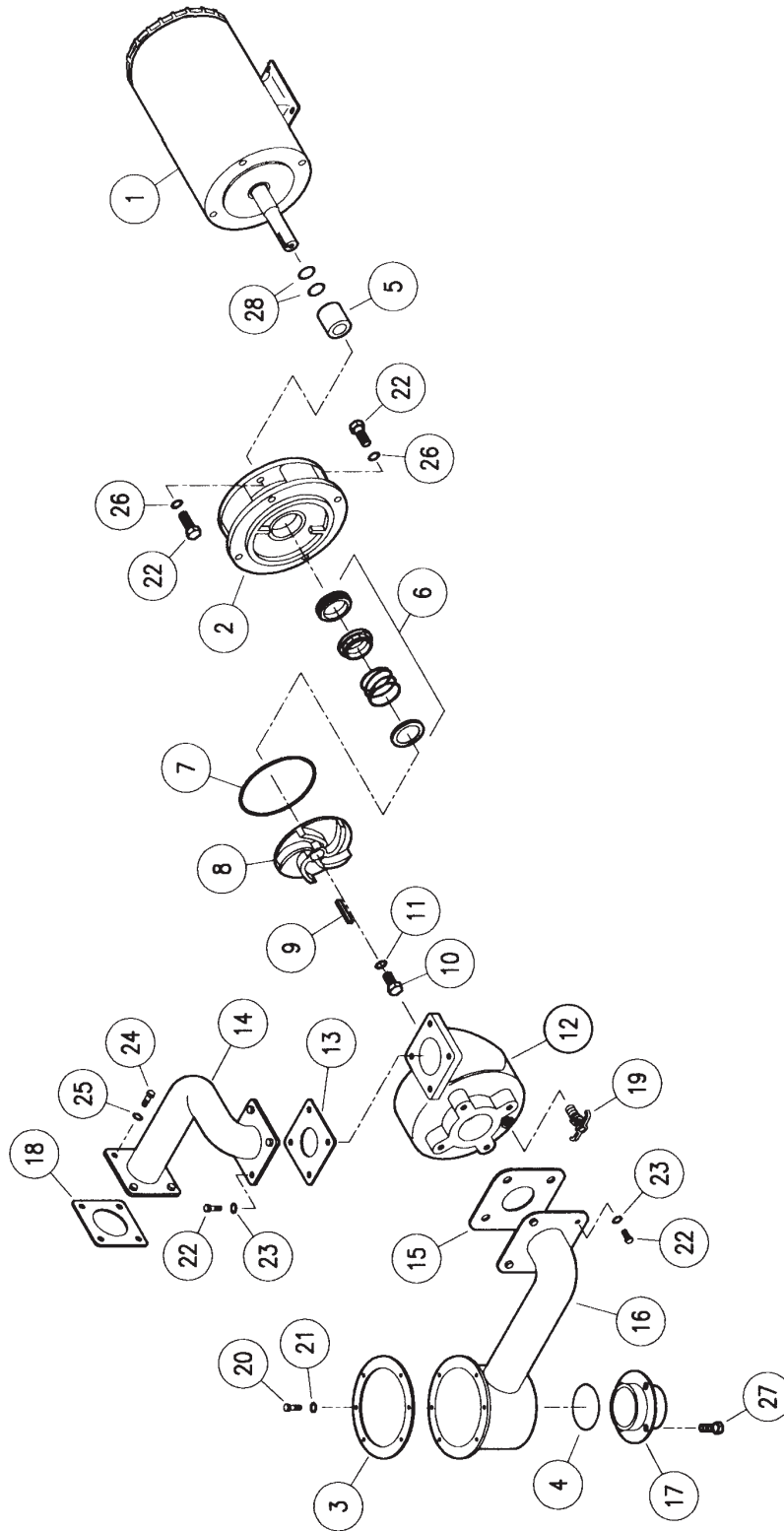
Ref. No.	Part No.	No. Req.	Description
1	285-6159	1	Upper Wash Arm Weldment Assembly
2	285-6129	1	Handle Weldment, Upper Wash Arm Mount
3	285-6128	1	Tee Plate Weldment, Upper Wash Arm
4	286-6177	1	Bracket, Upper Wash Arm Mount
5	285-6156	1	Lower Wash Arm Weldment Assembly
6	285-6155	1	Manifold Weldment, Inside Wash
7	285-6166	1	Manifold Weldment, Inside Pumped Rinse
8	285-6168	1	Spray Arm Weldment, Pumped Rinse Upper, L-R
9	285-6167	1	Spray Arm Weldment, Pumped Rinse Lower, L-R
10	098-2507	8	Locknut, 1/4-20, SS
N/S	285-6158	14	Spray Arm Endcap Weldment
11A	281-6208	1	Spray Arm, Final Rinse, Upper, L-R, SS Jets
11B	281-6106		Spray Arm, Final Rinse, Upper, L-R, Poly Jets
11C	281-6104		Spray Arm, Final Rinse, Upper, R-L, SS Jets
11D	281-6202		Spray Arm, Final Rinse, Upper, R-L, Poly Jets
11E	285-6142		Spray Arm Weld., Final Rinse, Upper, L-R, Arm Only
11F	285-6140		Spray Arm Weld., Final Rinse, Upper, R-L, Arm Only
12A	281-6209	1	Spray Arm, Final Rinse, Lower, L-R, SS Jets
12B	281-6207		Spray Arm, Final Rinse, Lower, L-R, Poly Jets
12C	281-6205		Spray Arm, Final Rinse, Lower, R-L, SS Jets
12D	281-6203		Spray Arm, Final Rinse, Lower, R-L, Poly Jets
12E	285-6143		Spray Arm Weld., Final Rinse, Lower, L-R, Arm Only
12F	285-6141		Spray Arm Weld., Final Rinse, Lower, R-L, Arm Only
13A	284-6146	8	Jets, Final Rinse Spray Arm, SS
13B	284-6145		Jets, Final Rinse Spray Arm, Poly
14	292-1011	2	Cap, 1/2" FPT, SS
15	292-1003	1	Fitting, 1/2" FPT, 90° Elbow, SS
16	292-3009	1	Nipple, 1/2" x 2 1/2" Lg, SS
17	292-1002	2	Fitting, 1/2" x 1/2" x 1/2" Tee, SS
18	292-3010	1	Nipple, 1/2" x 3", SS
19	292-1012	1	Plug, 1/2" MPT, SS
20	292-3001	1	Nipple, 1/2" x 1 1/2" Lg, SS
21	285-6170		Spray Arm, Pumped Rinse, Upper, R-L
22	285-6169		Spray Arm, Pumped Rinse, Lower, R-L



265-0300L-R / 265-0400R-L
Spray System Assemblies
ADC-44

American Dish Service

Ref. No.	Part No.	No. Req.	Description
23	289-6608	2	Gasket, O-Ring, Wash Arm
24	098-1423	2	Bolt, ¼-20 x ½", SS, HH
25	285-6130	1	Handle Weldment, Wash Arm Mount, Lower
N/S	288-1057	Tool	Tool, Spray Arm Pressure Test w/Gauge
N/S	288-1055	Tool	Tool, Spray Arm Pressure Tester without Gauge

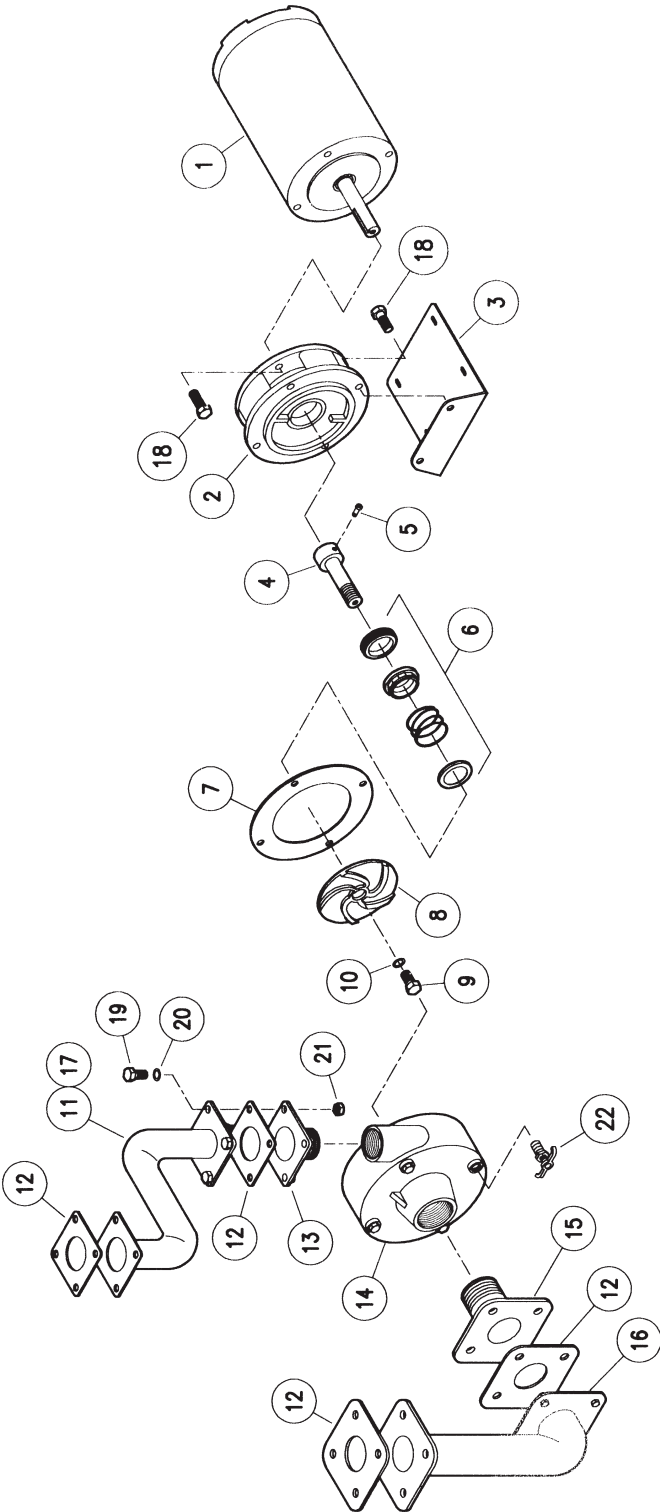


263-0100

Wash Pump Assembly
ADC-44 L-R/R-L

American Dish Service

Ref. No.	Part No.	No. Req.	Description
1	291-1002	1	Motor, 3HP, 3 Phase w/Shaft
	291-1006		Motor, 3HP, 1 Phase w/Shaft
2	282-6301	1	Housing, Rear, Wash
3	089-6601	1	Gasket, Sump
4	289-6606	1	Gasket, O-Ring, Drain Socket Flange
5	284-6203	1	Sleeve, Wash Pump Shaft
6	292-2001	1	Seal, Wash Pump
7	289-6603	1	Gasket, Wash Pump O-Ring
8	282-6303	1	Impeller, Wash Pump
9	284-6151	1	Key, Wash Pump Impeller
10	098-1613	1	Bolt, 3/8-16 x 1" Lg, HH, SS, w/Lock Strip
11	098-2711	1	Washer, 3/8" ID x 1" OD x .103 Thick, SS
12	282-6302	1	Cover, Wash Pump
13	289-6604	1	Gasket, Wash Pump Discharge Flange
14	285-6153	1	Discharge Tube Weldment, Wash Pump
15	289-6605	1	Gasket, Wash Pump Intake Flange
16	285-6154	1	Intake Tube, Sump Weldment, Wash Pump
17	285-6157	1	Drain Socket Weldment, Wash
18	289-6607	2	Gasket, Wash Tank Flange
19	292-1013	1	Petcock, 1/4" MPT
20	098-1423	6	Bolt, 1/4-20 x 1/2" Lg, HH, SS
21	098-2404	6	Washer, 1/4" SS
22	098-1614	16	Bolt, 3/8-16 x 1" Lg, HH, SS
23	098-2711	8	Washer, 3/8" ID x 1" OD x .103 Thick, SS
24	098-1514	4	Bolt, 5/16-18 x 1 1/2" Lg, HH, SS
25	098-2509	8	Washer, 5/16, SS
26	098-2710	8	Washer, 3/8" Split, SS
27	098-1502	4	Bolt, 5/16-18 x 1/2", HH, SS
N/S	288-1048	Rep	Pump Assy. Less Cover, Wash, 3HP, 3 Phase
N/S	288-1056	Rep	Pump Assy. Less Cover, Wash, 3HP, 1 Phase
28	289-6618	2	O-Ring, Wash Pump Shaft Sleeve
N/S	098-2510	4	Washer, 5/16" SS Neobond (For Inside of Pump Discharge)

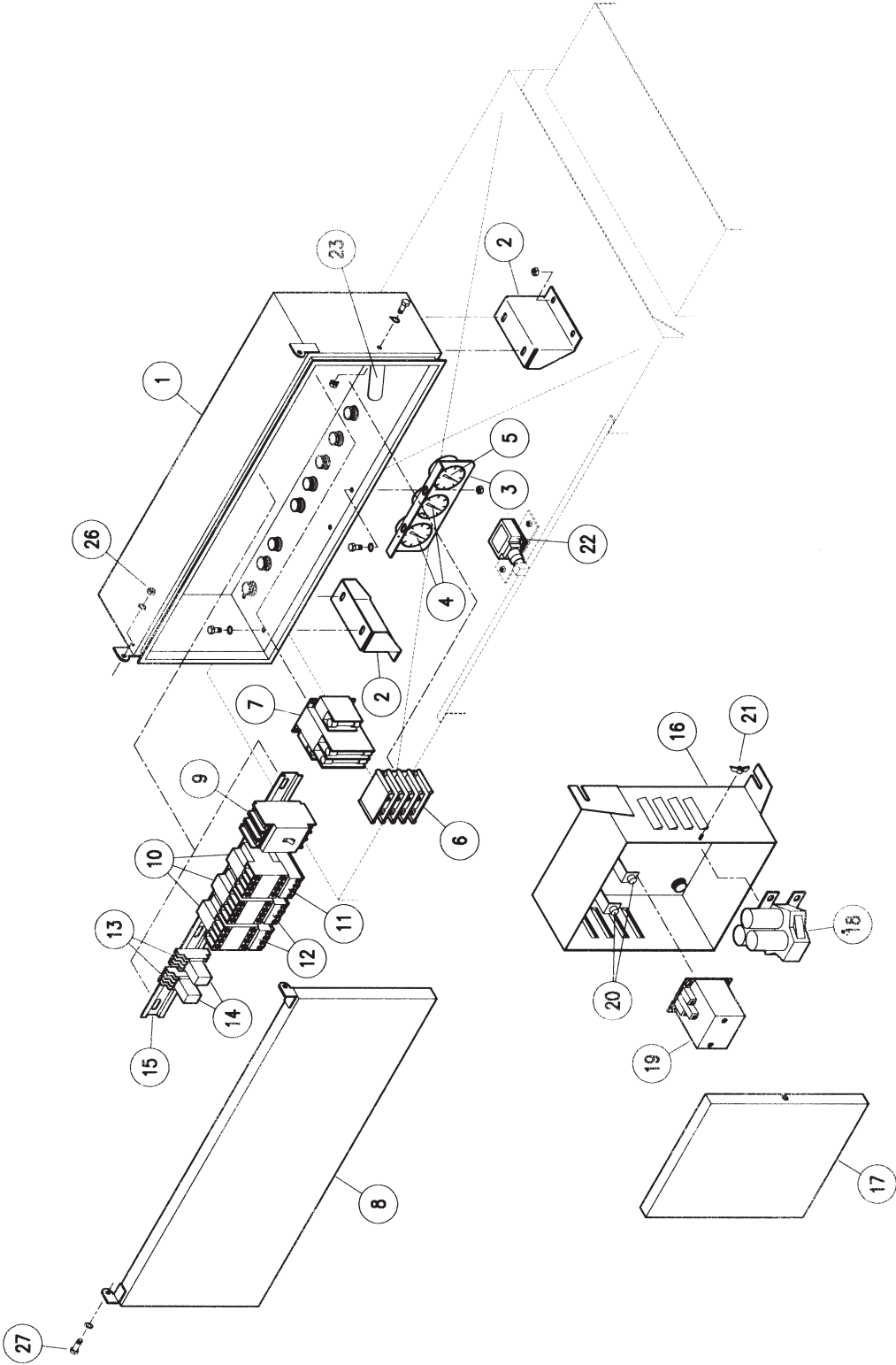


263-0300L-R / 263-0400R-L

Rinse Pump Assembly
ADC-44

American Dish Service

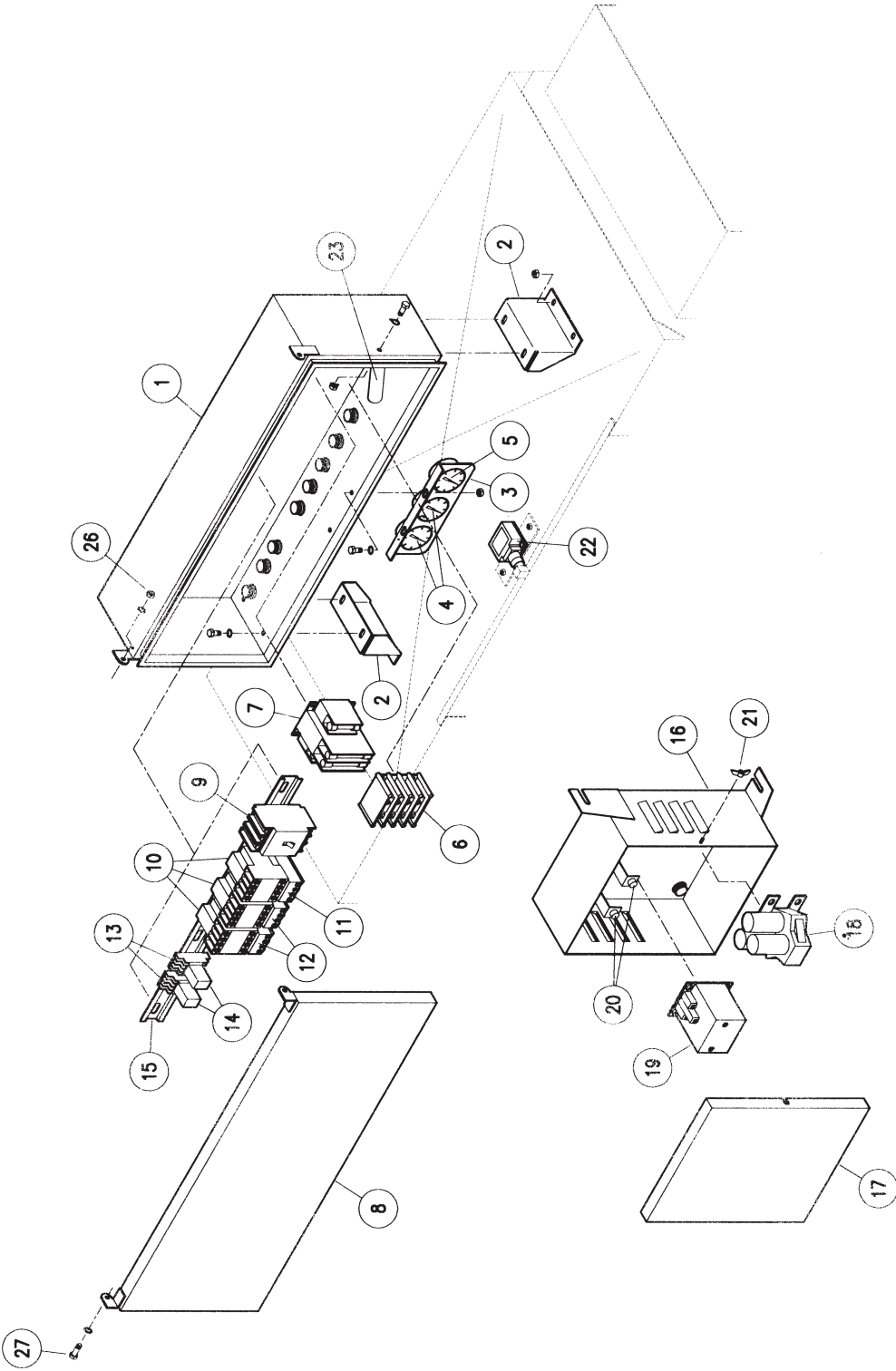
Ref. No.	Part No.	No. Req.	Description
1	291-1003	1	Motor, 1/3 HP, 3 Phase
	291-1007		Motor, 1/3 HP, 1 Phase
2	282-6307	1	Housing, Pumped Rinse Rear
3	286-6250	1	Plate, Pump Rinse Motor Support, w/Pad
4	284-6163	1	Pump Shaft, Pumped Rinse
5	098-1442	2	Set Screw, 1/4-20 x 3/8" Lg
6	292-2002	1	Seal, Pumped Rinse Pump
7	289-6609	1	Gasket, Pumped Rinse Pump
8	282-6308	1	Impeller, Pumped Rinse Pump
9	098-1443	1	Bolt, 1/4-28 x 3/8" Lg HH, SS
10	098-2413	1	Washer, .285 ID x .625 OD x .086 Thick, SS
11	285-6164	1	Discharge Tube Weldment L-R
12	289-6610	4	Gasket, Pumped Rinse Pump Flange
13	285-6165	1	Discharge Flange Assembly Weldment
14	282-6306	1	Cover, Pumped Rinse Pump
15	285-6161	1	Intake Flange Weldment Assembly
16	285-6160	1	Intake Tube Weldment
17	285-6163	1	Discharge Tube Weldment R-L
18	098-1607	8	Bolt, 3/8-16 x 7/8" HH, SS
19	098-1426	16	Bolt, 1/4-20 x 3/4" HH, SS
20	098-2404	32	Washer, 1/4", SS
21	098-2507	16	Locknut, 1/4-20, SS
22	092-1002	1	Petcock, 1/8" MPT
N/S	288-1040	Rep	Kit, Rinse Pump Seal
N/S	288-1049	Rep	Pump Assy. Less Cover, Rinse, 1/3HP, 3 Phase
N/S	288-1050	Rep	Pump Assy. Less Flanges, Rinse, 1/3HP, 3 Phase
N/S	288-1061	Rep	Pump Assy. Less Cover, Rinse, 1/3HP, 1 Phase



264-0100L-R / 264-0200R-L

Control System Assembly
ADC-44**American Dish Service**

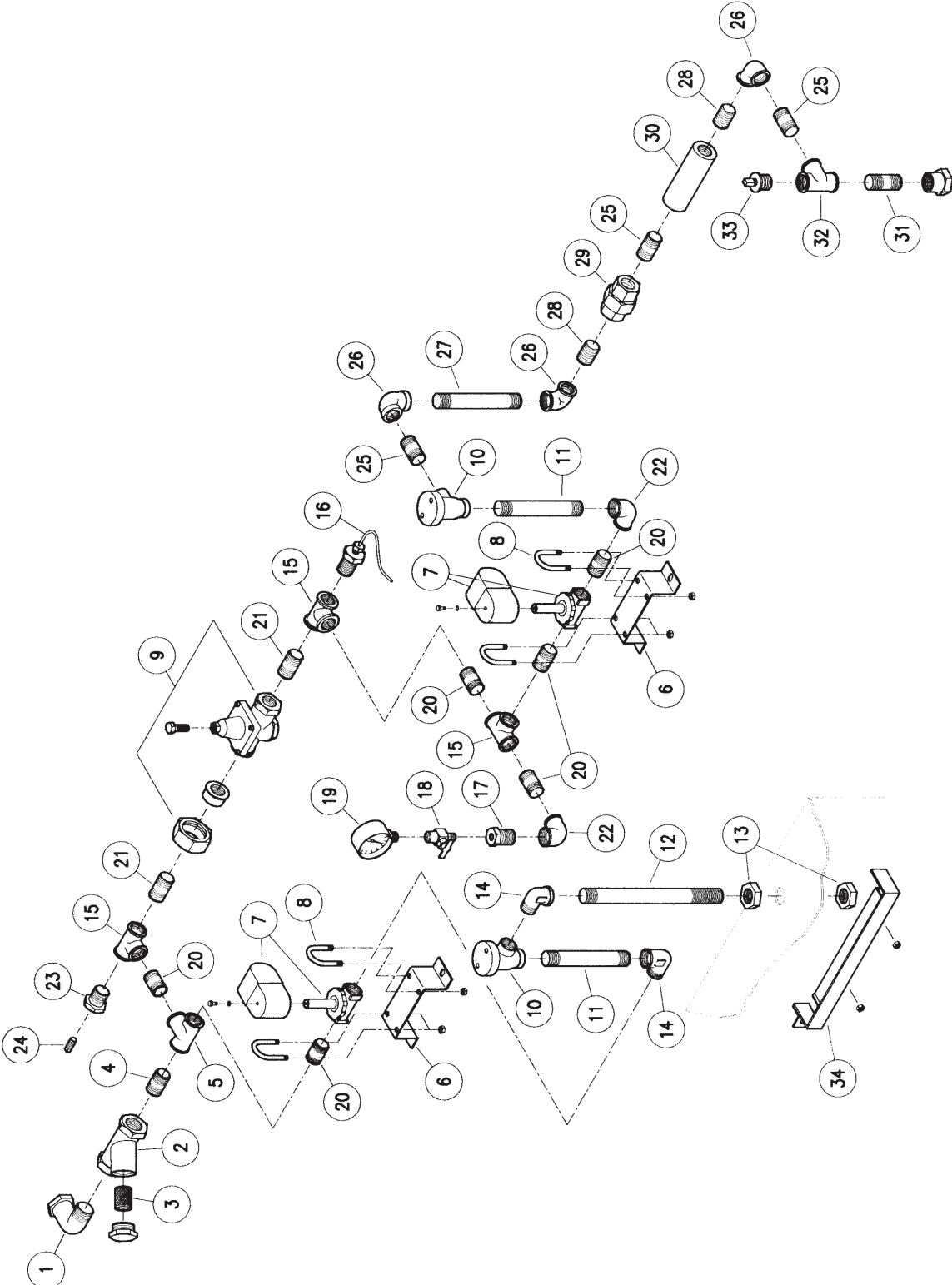
Ref. No.	Part No.	No. Req.	Description
1	285-6101	1	Control Box Weldment
2	286-6111	2	Control Box Mounts
3	286-6180	1	Bracket, Temperature Gauge
4	299-1005	2	Gauge, Temperature, Wash & Rinse Tank
5	299-1004	1	Gauge, Temperature, Final Rinse
6A	291-5101	1	Terminal Block (4 Pole) Power Distribution
6B	391-5105	Opt.	Terminal Block (Main 2 Pole Single Phase)
7	291-3004	1	Transformer w/Jumper Wires
N/S	291-9101	2	Fuse, 3 amp, Primary
N/S	291-9102	1	Fuse, 1 6/10 amp, Secondary
8	285-6102	1	Cover Weldment, Control Box
9A	291-3010	1	Circuit Breaker, 50 amp, 3 Pole
9B	391-3003	Opt.	Circuit Breaker, 20 amp, 2 Pole
9C	391-3004	Opt.	Circuit Breaker, 60 amp, 2 Pole
10	291-3001	3	Contactor
11A	291-3002	1	Overload, 3HP, 3 Phase
11B	291-3017	Opt.	Overload, 3HP, 1 Phase
12A	291-3003	2	Overload, 1/3HP, 3 Phase
12B	291-3018	Opt.	Overload, 1/3HP, 1 Phase
13	291-3009	2	Socket, Relay
14	291-3005	2	Relay, 110V, Double Pole
15	291-9104	1	Din Rail, 18" Lg
16	285-6104	1	Power Box Weldment L-R
17	287-6104	1	Cover, Power Box
18	291-3032	1	Contactor, Wash Heater
19	291-3001	1	Contactor, Rinse Heater
20	091-7006	2	Light, Heater
21	098-2308	2	Wingnut, 1/4-20, SS
22	099-4502	1	Switch, Door Cut-Off
23	284-6101	1	Bar, Control Box Safety
24	091-3008	1	Switch, Master
25	291-9105	1	Boot, Master Switch Cover
N/S	291-7101	1	Light, Indicator
26	098-2507	13	Locknut, 1/4-20



264-0100L-R / 264-0200R-L

Control System Assembly
ADC-44**American Dish Service**

Ref. No.	Part No.	No. Req.	Description
27	098-1423	2	Bolt, 1/4-20 x 1/2" HH, SS
N/S	291-3008	1	Relay, Time Delay, 6 Second
N/S	291-3011	2	Switch, Reed
N/S	291-3016	Opt.	Counter, Rack Timer
N/S	286-6219	Opt.	Bracket, Rack Timer Counter
N/S	291-5102	1	Ground Lug
N/S	286-6107	1	Plate, 110V Terminal Block
N/S	291-5104	2	Block, Terminal, Chemical Dispenser, 2 Pole
N/S	091-5010	1	Block, Terminal, 6 Pole (White Wires)
N/S	291-5106	1	Block, Terminal, 6 Pole (Black Wires)
N/S	288-1044	Opt.	Kit, Table Limit Switch
N/S	288-1051	Opt.	Kit, Rack Timer
N/S	289-0001	1	Nameplate, ADS
N/S	289-6617	1	Gasket Material, Control Box, 78" (Cut from 289-6615)
N/S	289-9204	1	Decal, NSF (244 Racks)
N/S	289-9212	Rep.	Decal, NSF (216 Racks) (Replacement Part)
N/S	289-9217	Rep.	Decal Set, ADC-44 (Replacement Part)
N/S	289-9301	1	Wall Chart, Cleaning, ADS
N/S	291-3015	Opt.	Switch Only, Table Limit
N/S	291-5103	1	Wire Harness, 3 Phase
N/S	291-5107	Opt.	Wire Harness, 1 Phase
N/S	291-9108	3	Shield for Contactor Overload (Anti-Tamper)
N/S	299-1010	Rep.	Temp Gauge Cover, Screw-On
N/S	096-1002	1	Control Box Lock
N/S	096-1008	1	Control Box Dummy Lock
N/S	091-4152	1	Bell Box
N/S	091-4004	1	Bell Box Cover
N/S	286-6181	1	Bracket, Conduit (Rear of Machine)
N/S	289-9201	1	Decal, Label Set (Blue & Gray) (Temp. Gauge Bracket)
N/S	289-9202	1	Decal, Label Set (Yellow & Black, Inside Control Box)
N/S	289-9206	1	Decal, Temp Gauge, Final Rinse, 180°
N/S	289-9209	1	Decal, Wiring Diagram

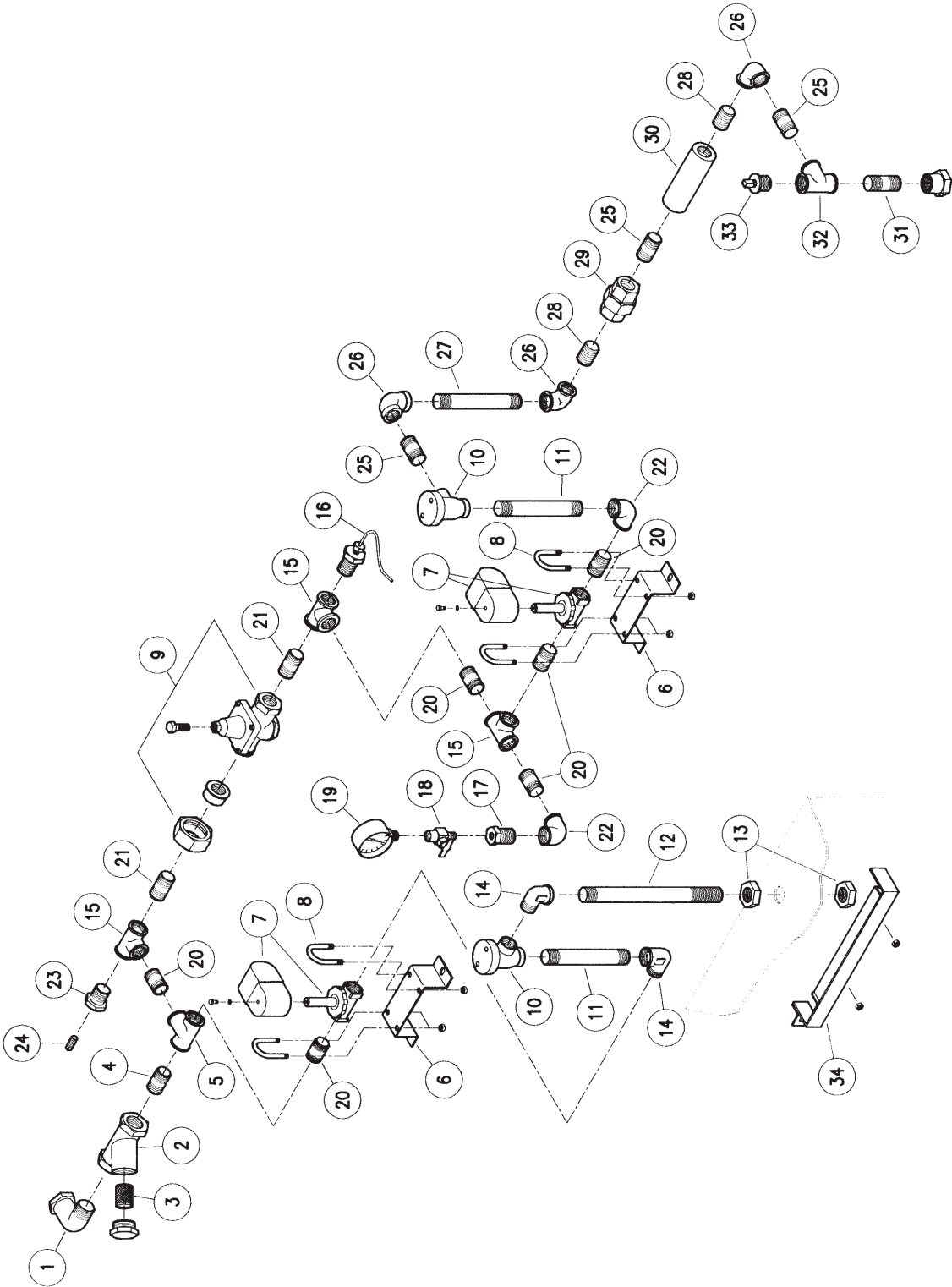


265-0500L-R / 265-0600R-L

Water Inlet Assembly
ADC-44

American Dish Service

Ref. No.	Part No.	No. Req.	Description
1	092-1074	1	Fitting, 3/4" Street Elbow, 90°
2	092-9006	1	Y-Line Strainer, 3/4"
3	092-9008		Line Strainer Screen, 3/4"
4	092-1073	1	Nipple, 3/4" Close, Brass
5	092-1107	1	Tee, 3/4" x 1/2" x 1/2" Brass
6	286-6191	2	Bracket, Plumbing
7	092-5015	2	Valve, Water Solenoid
8	098-9027	4	Bolt, 'U', 1/4-20
9	292-5001	1	Pressure Regulator, 1/2"
10	092-5045	2	Vacuum Breaker, 1/2"
11	292-3007	2	Nipple, 1/2" x 6" Lg, Brass
12	292-3008	1	Nipple, 1/2" x 9 1/2" Lg, Brass
13	292-1006	2	Pipe Locknut, 1/2" FPT, Brass
14	092-1006	2	Elbow, 1/2" Street, 90°
15	292-1001	3	Tee, 1/2" x 1/2" x 1/2", Brass
16	299-1004	1	Temperature Gauge, Final Rinse
17	292-1005	1	Reducer Bushing, 1/2" MPT x 1/4" FPT, Brass
18	292-5002	1	Service Cock
19	299-1003	1	Pressure Gauge
20	292-3002	6	Nipple, 1/2" x 1 1/2" Lg, Brass
21	292-3004	2	Nipple, 1/2" x 2" Lg, Brass
22	292-1014	2	Fitting, 1/2" Elbow, 90°
23	292-1007	1	Reducer Bushing, 1/2" MPT x 1/8" FPT
24	292-1008	1	Plug, 1/8" MPT, Brass
25	292-3001	3	Nipple, 1/2" x 1 1/2" Lg, BSS
26	292-1003	3	Fitting, Elbow, 1/2" FPT, SS
27	292-3008	1	Nipple, 1/2" x 6" Lg, SS
28	292-3003	2	Nipple, 1/2" x Close, SS
29	292-1004	1	Union, 1/2", SS
30A	284-6148	1	Mixing Chamber, SS
30B	284-6147	Opt.	Mixing Chamber, Polymer
31	292-3010	1	Nipple, 1/2" x 3" Lg, SS
32	292-1002	1	Tee, 1/2" x 1/2" x 1/2", SS

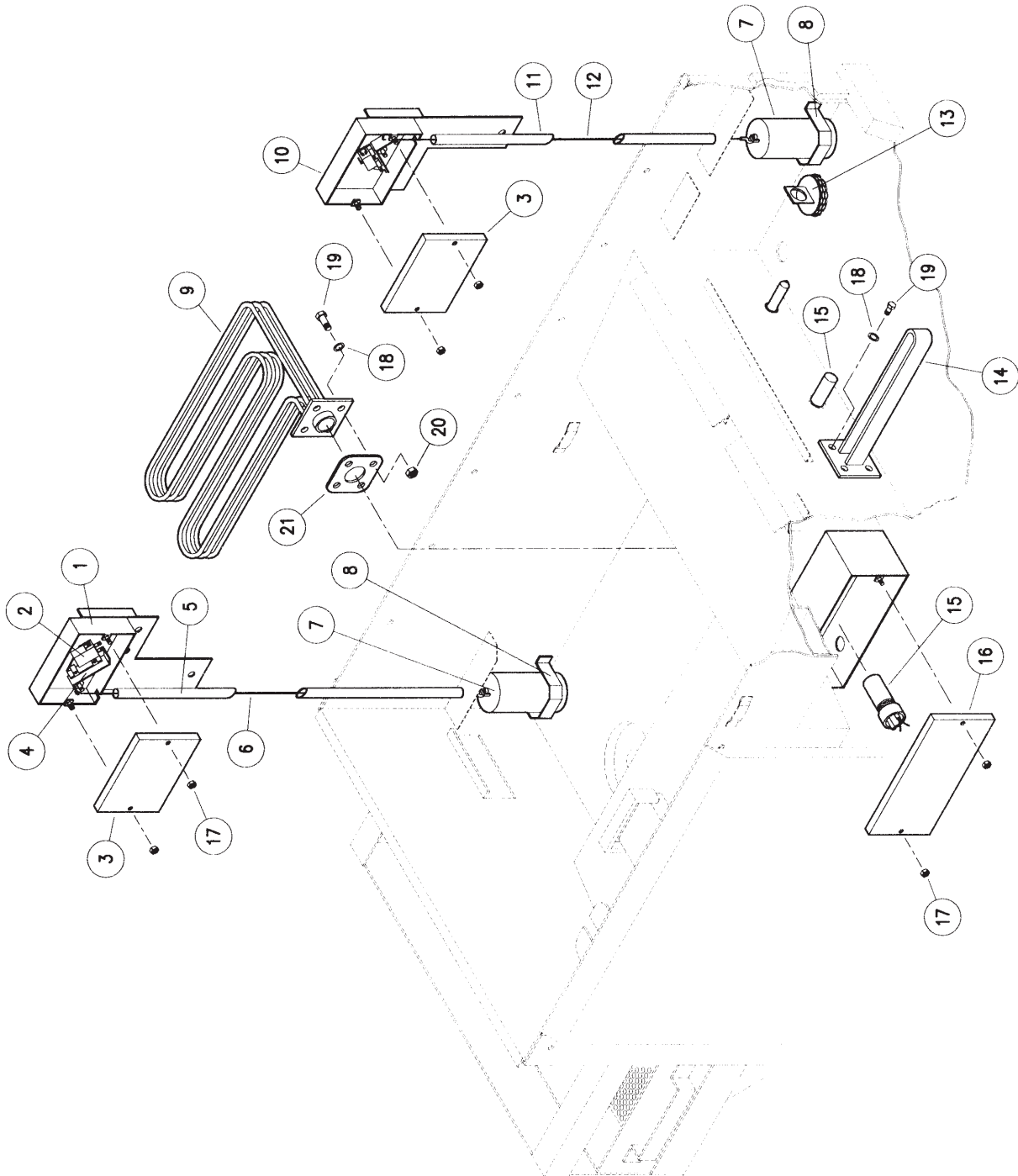


265-0500L-R / 265-0600R-L

Water Inlet Assembly
ADC-44

American Dish Service

Ref. No.	Part No.	No. Req.	Description
33	292-1012	1	Plug, 1/2" MPT, SS
34A	285-6147	1	Duct Weldment, Inlet Water, L-R
34B	285-6127	1	Duct Weldment, Inlet Water, R-L
N/S	092-5019	Rep.	Cap Assembly, Bonnet & Tube, Water Solenoid, 1/2"
N/S	092-5025	Rep.	Valve, Less Coil, Water Solenoid, 1/2"
N/S	092-5047	Rep.	Kit, Vacuum Breaker Repair, Watts 1/2"
N/S	092-5049	Rep.	Cap, Vacuum Breaker, Watts 1/2"
N/S	092-5051	Rep.	Bonnet & Stem, Vacuum Breaker, Watts 1/2"
N/S	292-5003	Rep.	Kit, Pressure Regulator, 1/2" (Replacement)
N/S	092-5016	Rep.	Kit, Water Solenoid Valve, 1/2" (Replacement)
N/S	092-5017	Rep.	Coil, Water Solenoid, 1/2" (Replacement)
N/S	265-0100	Rep.	Water Inlet Assembly R-L w/Final Rinse Arms
N/S	265-0200	Rep.	Water Inlet Assembly L-R w/Final Rinse Arms

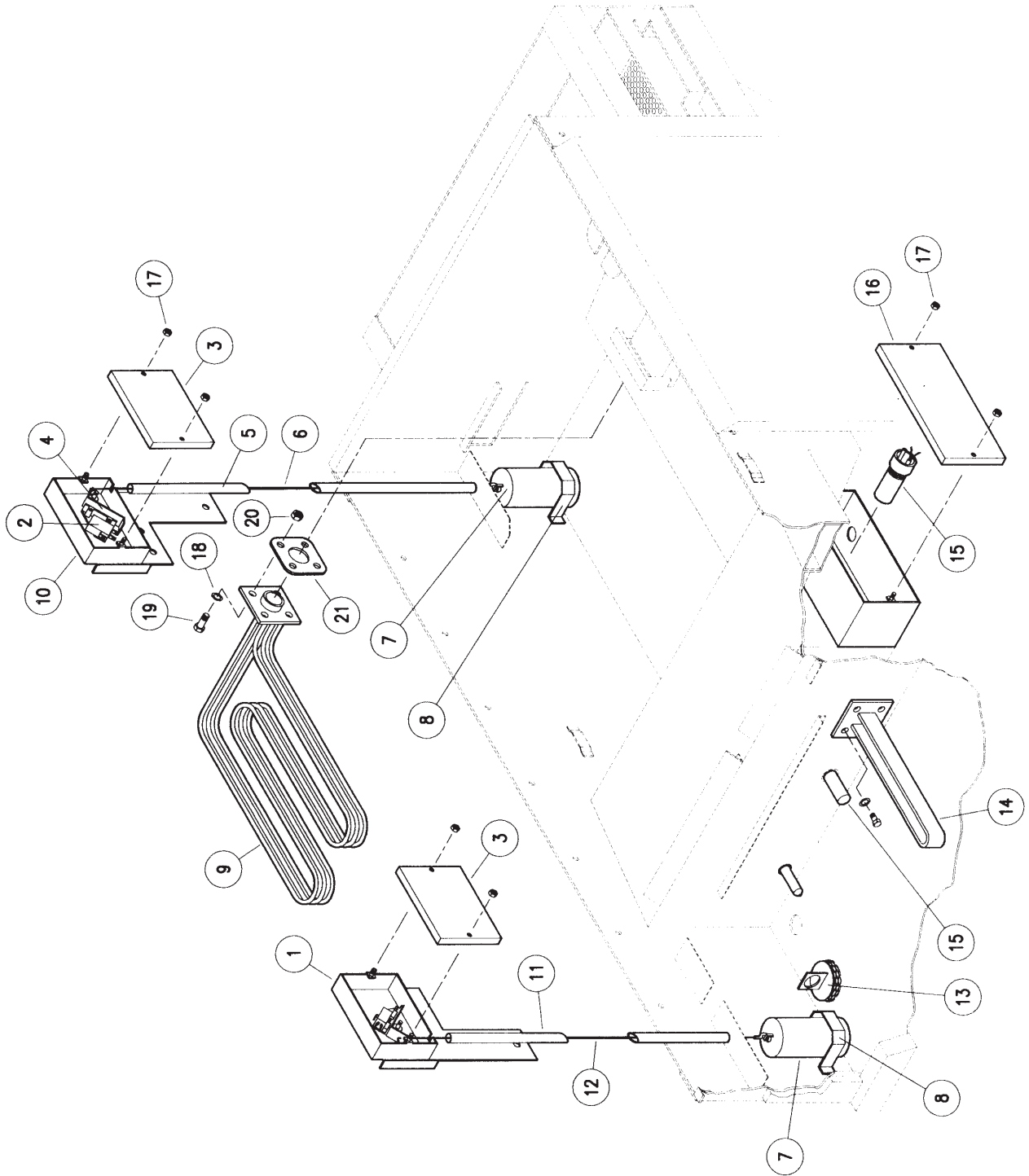


268-0800

Heater & Water Level Control
ADC-44 L-R

American Dish Service

Ref. No.	Part No.	No. Req.	Description
1	285-6177	1	Float Box Weldment, LH
2A	291-3014	2	Float Switch, w/Holder & Button
2B	291-3013		Float Switch, Switch Only
2C	291-9109		Float Switch Holder
2D	291-9110		Float Switch Holder Button
3	286-6246	2	Float Box Cover
4	285-6179	2	Float Switch Flipper Weldment
5	285-6180	1	Float Rod Tube Weldment , Wash, L-R
6	286-6248	1	Float Rod, Wash
7	285-6176	2	Float Weldment
8	286-6199	2	Bracket, Float Retainer
9A	291-9001	1	Heater, Wash, 12KW, 220v,3 Phase (must specify)
9B	291-9009		Heater, Wash, 12KW, 208V, 3 Phase (must specify)
9C	391-9005		Heater, Wash, 8KW, 240V, 1 Phase (must specify)
9D	391-9002		Heater, Wash, 8KW, 208V, 1 Phase (must specify)
9E	291-9008		Heater, Wash, 14KW, 208V, 3 Phase (must specify)
10	285-6178	1	Float Box Weldment, RH
11	285-6181	1	Float Rod Tube Weldment Rinse, L-R
12	286-6249	1	Float Rod Rinse
13	285-6162	1	Filter Weldment, Pumped Rinse Pump
14A	291-9003	1	Heater, Rinse, 2.25KW 3 Phase
14B	291-9004		Heater, Rinse, 2.25KW 1 Phase
15	291-3012	2	Thermostat
16	286-6175	2	Heater Box Cover
17	098-2201	8	Locknut, 8-32, SS
18	098-2510	16	Washer, 5/16, SS Neobond
19	098-1516	8	Bolt, 5/16-18 x 1" LG HH, SS
20	098-2501	8	Locknut, 5/16-18
21	289-6613	2	Gasket, Heater
N/S	286-6231	2	Flange, Heater Sandwich (1 1/2" Hole)
N/S	286-6241	4	Washer, Float Switch Rod, 3/4" OD x 1/8" ID, SS

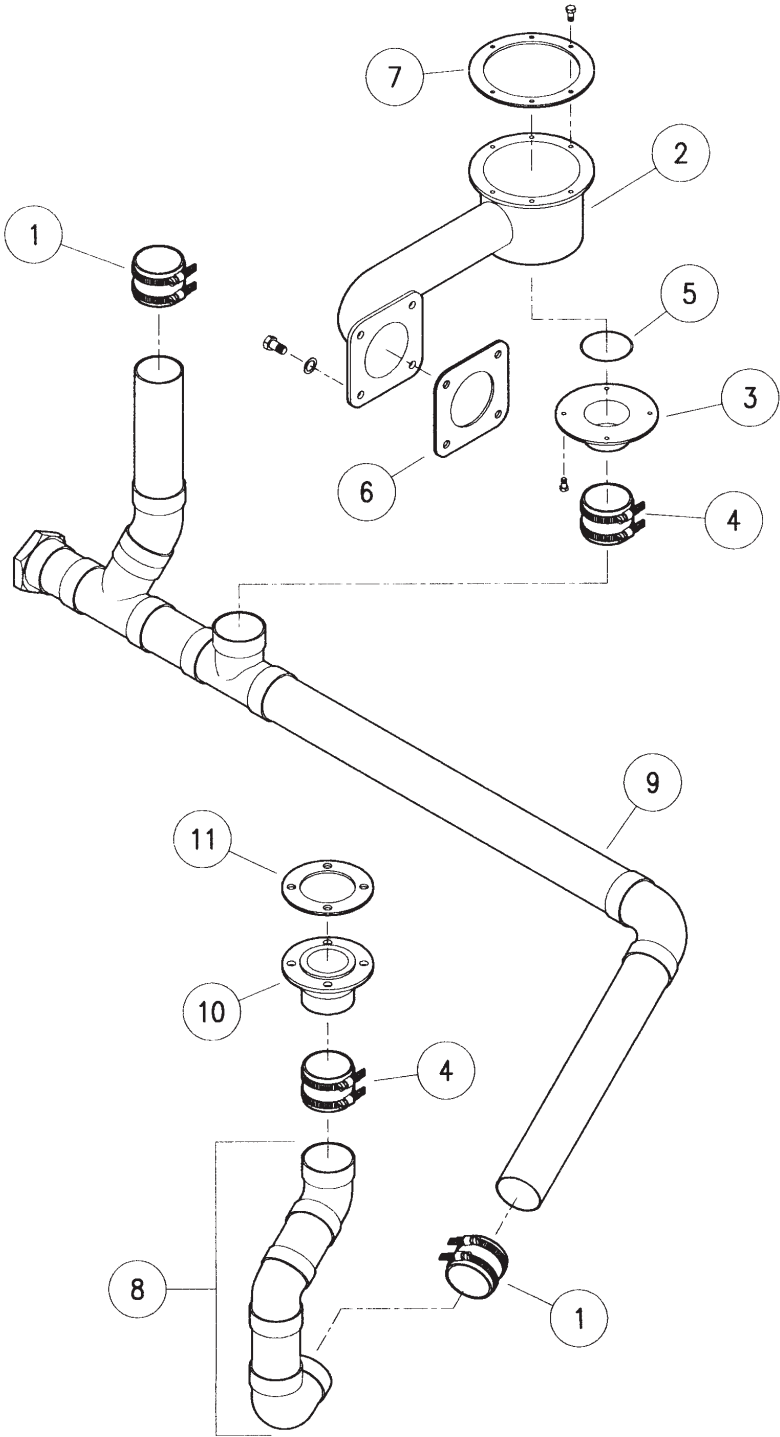


268-0900

Heater & Water Level Control
ADC-44 R-L

American Dish Service

Ref. No.	Part No.	No. Req.	Description
1	285-6177	1	Float Box Weldment, LH
2A	291-3014	2	Float Switch, w/Holder & Button
2B	291-3013		Float Switch Only
2C	291-9109		Float Switch Holder
2D	291-9110		Float Switch Holder Button
3	286-6246	2	Float Box Cover
4	285-6179	2	Float Switch Flipper Weldment
5	285-6148	1	Float Rod Tube Weldment, Wash, R-L
6	286-6248	1	Float Rod, Wash
7	285-6176	2	Float Weldment
8	286-6199	2	Bracket, Float Retainer
9A	291-9001	1	Heater, Wash, 12KW, 220V, 3 Phase (must specify)
9B	291-9009		Heater, Wash, 12KW, 208V, 3 Phase (must specify)
9C	391-9005		Heater, Wash, 8KW, 240V, 1 Phase (must specify)
9D	391-9002		Heater, Wash, 8KW, 208V, 1 Phase (must specify)
9E	291-9008		Heater, Wash, 14KW, 208V, 3 Phase (must specify)
10	285-6178	1	Float Box Weldment, RH
11	285-6149	1	Float Rod Tube Weldment, Rinse, R-L
12	286-6249	1	Float Rod, Rinse
13	285-6162	1	Filter Weldment, Pumped Rinse Pump
14A	291-9003	1	Heater, Rinse, 2.25KW, 3 Phase
14B	291-9004		Heater, Rinse, 2.25KW, 1 Phase
15	291-3012	2	Thermostat
16	286-6175	2	Heater Box Cover
17	098-2201	8	Locknut, 8-32, SS
18	098-2510	16	Washer, 5/16, SS, Neobond
19	098-1516	8	Bolt, 5/16-18 z 1" Lg HH, SS
20	098-2501	8	Locknut, 5/16-18
21	289-6613	2	Gasket, Heater
N/S	286-6231	2	Flange, Heater Sandwich (1 1/2" Hole)
N/S	286-6241	4	Washer, Float Switch Rod, 3/4" OD x 1/8" ID



266-0500L-R / 266-0600R-L

Drain System Assembly
ADC-44

American Dish Service

Ref. No.	Part No.	No. Req.	Description
1	292-1029	2	No-Hub Connector, Fitting to Pipe
2	285-6154	1	Intake Tube, Sump Weldment, Wash Pump
3	285-6157	1	Drain Socket Weldment, Wash
4	292-1028	2	No-Hub Connector, Pipe to Pipe
5	289-6606	1	Gasket, O-Ring, Drain Socket Flange
6	289-6605	1	Gasket, Wash Pump Intake Flange
7	089-6601	1	Gasket, Sump
8	285-6191	1	2" Copper Drain Weldment, Rinse Side
9A	285-6189	1	2" Copper Drain Weldment, Wash Side, L-R
9B	285-6190		2" Copper Drain Weldment, Wash Side, R-L
	266-0300		Drain Assembly, Copper with No-Hubs, L-R
	266-0400		Drain Assembly, Copper with No-Hubs, R-L
10	285-6175	1	Rinse Drain Socket Weldment
11	289-6612	1	Gasket, Rinse Drain Socket Flange

American Dish Service

*Manufacturer of low and high temperature
Commercial Dishwashers and Glasswashers*

900 Blake Street
Edwardsville, Kansas 66111
Ph:(913) 422-3700
Fax:(913) 422-6630