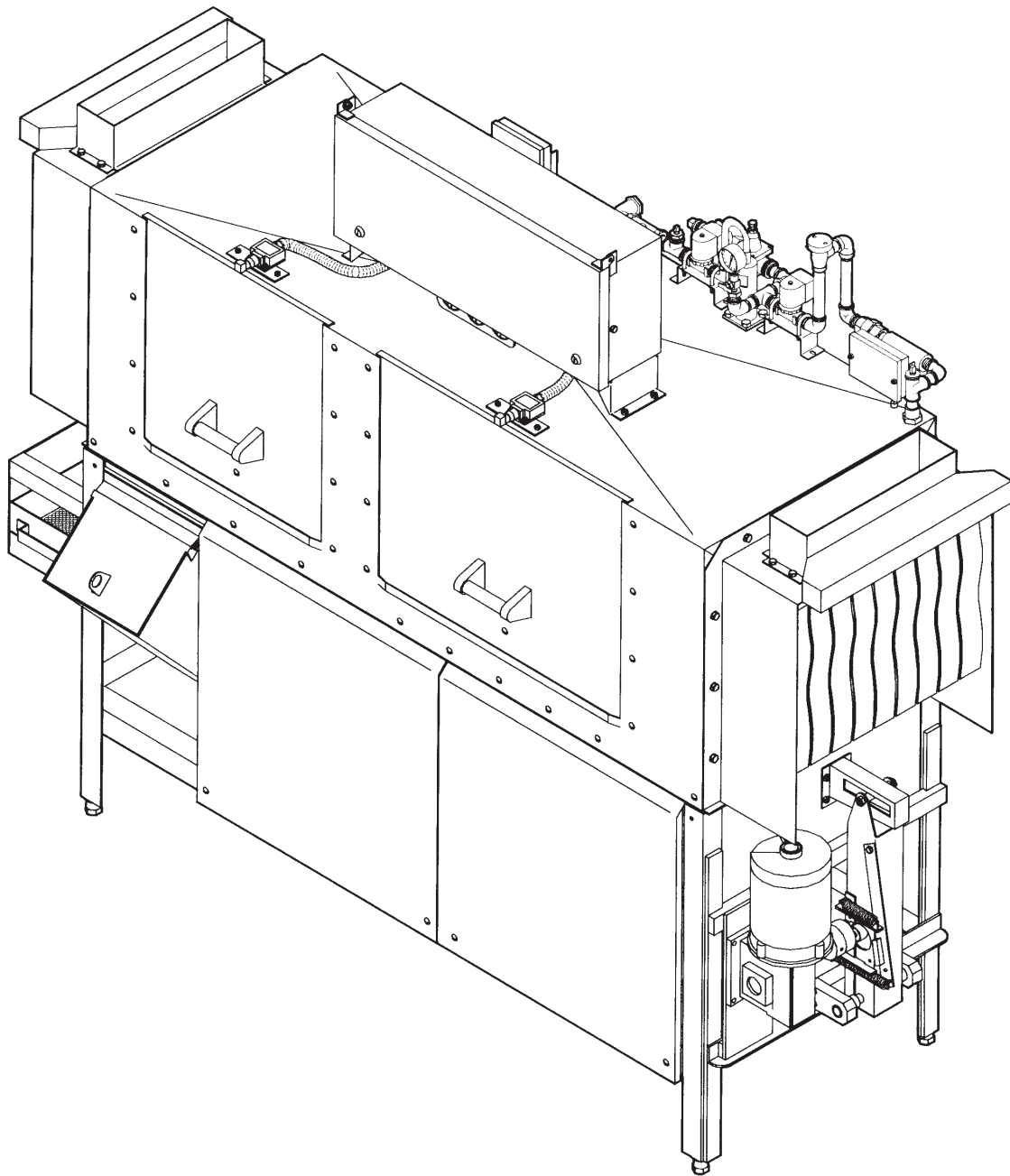


EFFECTIVE: MAY, 2014

American Dish Service

ADS CONVEYOR DISHWASHER
MODELS: ADC-66 L-R/R-L



PARTS MANUAL

900 Blake Street
Edwardsville, Kansas 66111
(913)422-3700

© 05/08

The **American Dish Service** part numbers contained in this publication are replacement parts for equipment listed with governmental and regulatory agencies and are specified to maintain the regulatory mark and certification. These parts must only be replaced by those who are trained in the operation and service of commercial dishmachines. Aftermarket parts or modified parts are not compliant or listed with the standards of governmental and regulatory agencies; aftermarket parts are not authorized by ADS for replacement repairs. ADS will not be responsible for any liability if parts are used in the repair of the machine that are not ADS-specified, by those installing non-certified replacement parts or attempts to change the machine's cycle or operation other than as designed and certified. **Read the warnings and cautions provided below before working on or replacing parts on any ADS equipment.**



DANGER

The installation of electrical parts contained in this publication require the following precautions:

The electrical power supplied to this machine is an imminent hazard to life that could result in severe bodily injury or death if not properly installed or connected correctly. When working in the control box or on electrical parts, always disconnect power and perform the appropriate lock-out/tag-out procedure before servicing. Replace the cover to the control box and other protective covers when finished with servicing this equipment before returning the machine to normal operation.

LOOSE ELECTRICAL CONNECTIONS: Damage to the equipment can occur if the following precautions are not observed. Before connecting power to the machine, check all electrical terminals in the control box. Screws can loosen in transit. Loose connections on high amp load terminals such as the pump motor and tank heaters will cause wire burning and component damage during operation and will not be covered under ADS warranty.

"CLEAN CIRCUIT" means the electrical circuit breaker for the dishmachine supplies no other outlets, machines, or lights. GFCI outlets are not recommended for commercial dishmachines; ADS recommends that a single-rack machine be installed with the wire connection (hard-wired) directly from the circuit breaker. All high temp and conveyor equipment must be hard wired. If a plug and socket are used to provide electrical power to a dishmachine in a commercial kitchen, then according to electrical code it must be a GFCI, but not all GFCIs are the same. They must be rated for the Amp draw for the designed circuit.

For Reference: The NEC Article 210.8 regarding GFCI Protection (B) Other Than Dwelling Units (2) Commercial and Institutional Kitchens. All 15 and 20A, 125V receptacles installed in kitchens, even those that do not supply the countertop surface, must be GFCI protected.



WARNING

The chemical feeders and controls contained in this publication require the following precautions:

READ Manufacturer's Manual before Using this Product. For your safety read and observe all warnings in these instructions. While performing installation of parts described in this booklet, wear approved Personal Protective Equipment, including chemically resistant gloves and Safety Eye-Wear.

CHEMICALS: There are potentially hazardous situations when working with industrial cleaning chemicals for dishmachines. See chemical manufacturer's safe practices and SDS or MSDS sheets for handling and installing chemicals and supply containers.

Chemicals can damage or corrode plumbing and stainless parts of the dishmachine. Do not run chemical lines over controls or plumbing. Always secure chemical lines and check regularly for leaks. **If not properly handled, chemicals can cause serious bodily injury. In the event of chemical contact to skin or eyes; wash immediately with fresh water and seek medical attention.**

DE-LIMING THE MACHINE: Because of potential hazards resulting from the combination of chlorine with acid solution, only authorized trained individuals must be allowed to de-lime a commercial dishmachine.

CONTAINERS: The ADS chemical delivery system is designed for 5 gallon pails of industrial low-energy chemical products. Always use chemical resistant safety gloves and safety goggles (indirect-vented or non-vented) when changing chemical

CONTAINERS: The ADS chemical delivery system is designed for 5 gallon pails of industrial low-energy chemical products. Always use chemical resistant safety gloves and safety goggles (indirect-vented or non-vented) when changing chemical buckets. Immediately report spills and refer to your chemical suppliers SDS safety data sheet or MSDS material safety data sheet for information if chemical comes in contact with skin or eyes.

Any modifications to the chemical delivery system for smaller containers must include Closed Loop Chemical Containers (spill proof bottles) in a secured racking system. It is the responsibility of the user of the machine to purchase chemicals in spill proof containers. **FAILURE CAN RESULT IN SERIOUS INJURY.** Never place chemicals in open containers or containers that can be easily tipped over when moving or changing product. Failure to do so will void your ADS warranty.

Chemical supplies must be kept in closed delivery containers to avoid spills or contamination. Do not place chemical solutions in open containers or containers that can be easily tipped over in moving or changing.

Do not open the doors while the machine is in operation. Doing so could result in serious bodily injury from spraying hot water and chemicals.



CAUTION

The door lever arm parts in this publication are installed under spring tension and caution is needed whenever parts are changed. Wear safety glasses when working on the doors and lever. Care should be taken when moving, installing, or replacing any door lever arm parts. Use the ADS lever arm tool to unload the door spring during replacement or adjustment. The spring tension suddenly released can result in pinch or blunt trauma, and puncture wounds. If a wound occurs from the release of spring tension, wash the wound area immediately because of the soils that can accumulate on the metal parts and seek medical attention.

NOTICE

BEFORE YOU BEGIN: American Dish Service provides this information as a service to our customers. **Keep all instructions for future reference.** ADS reserves the right to alter or update this information at any time. Should you desire to make sure that you have the most up-to-date information, we would direct you to the appropriate document on our web site: www.americandish.com. **It is your obligation as the customer to ensure that the replacement parts for the machine are installed safely and properly, and when completed, the machine is left in proper and safe working order.** Electrical, Plumbing, and Chemical hookup must be performed by a qualified professional who will ensure that the equipment is installed in accordance with all applicable Codes, Ordinances, and Safety requirements. Failure to follow the installation instructions will void the warranty. **ADS assumes no liability or control over the installation of the equipment or replacement parts. Product failure due to improper installation is not covered under the ADS Warranty.**

Plumbing parts:

When working on the water inlet manifold, first relieve the water line pressure by turning off the water supply to the machine then energize the machine's fill valve. By doing this the manifold will empty of water. Turn off the electrical power and lock out/tag out the machine. It will then be safe to open the plumbing inlet manifold.

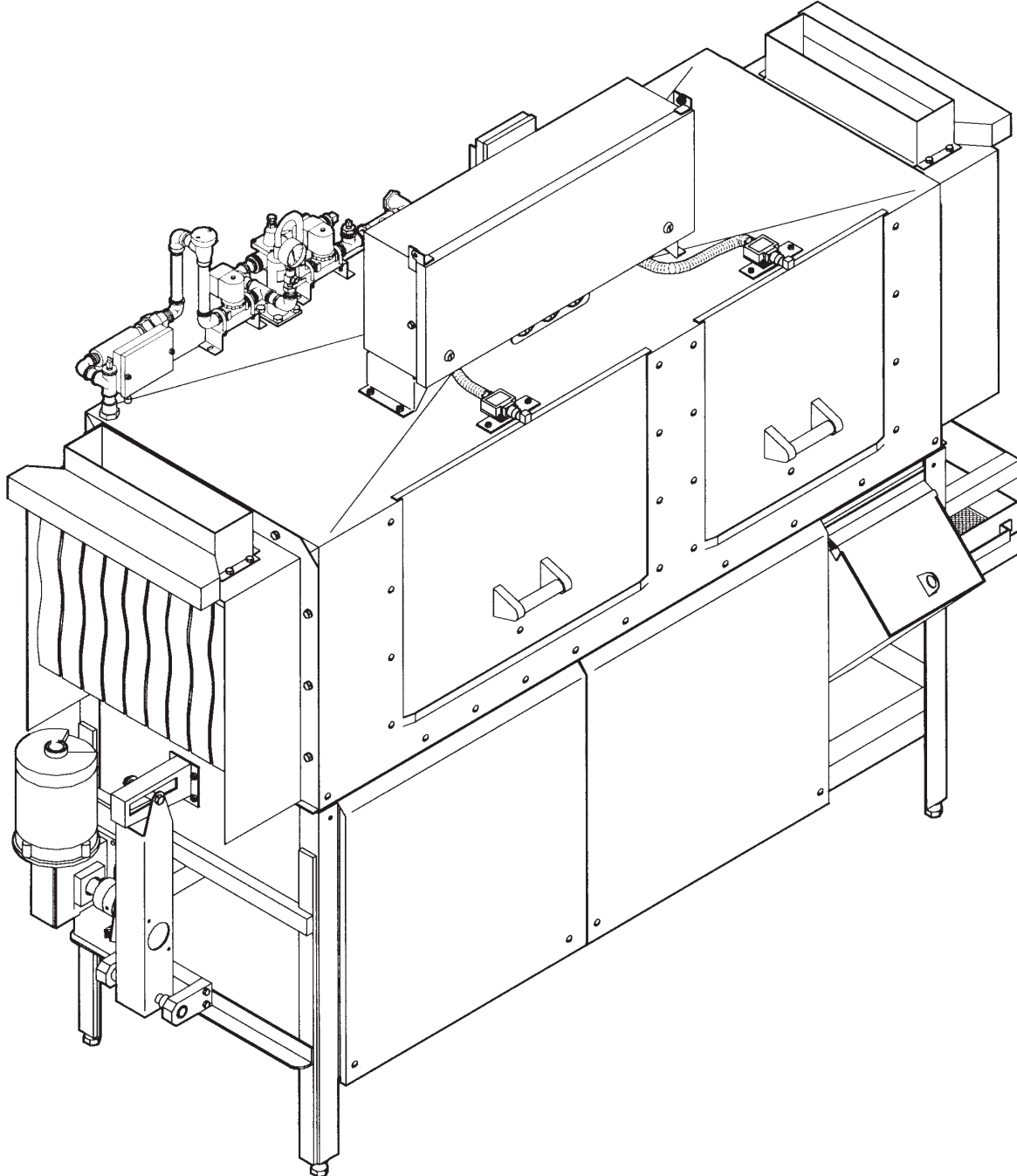
TANKLESS WATER HEATERS have shown to be problematic for commercial dishmachines. It has been the experience of ADS that tankless supply systems require multiple units plumbed in sequence with a recirculation loop to achieve proper pressure and temperature.

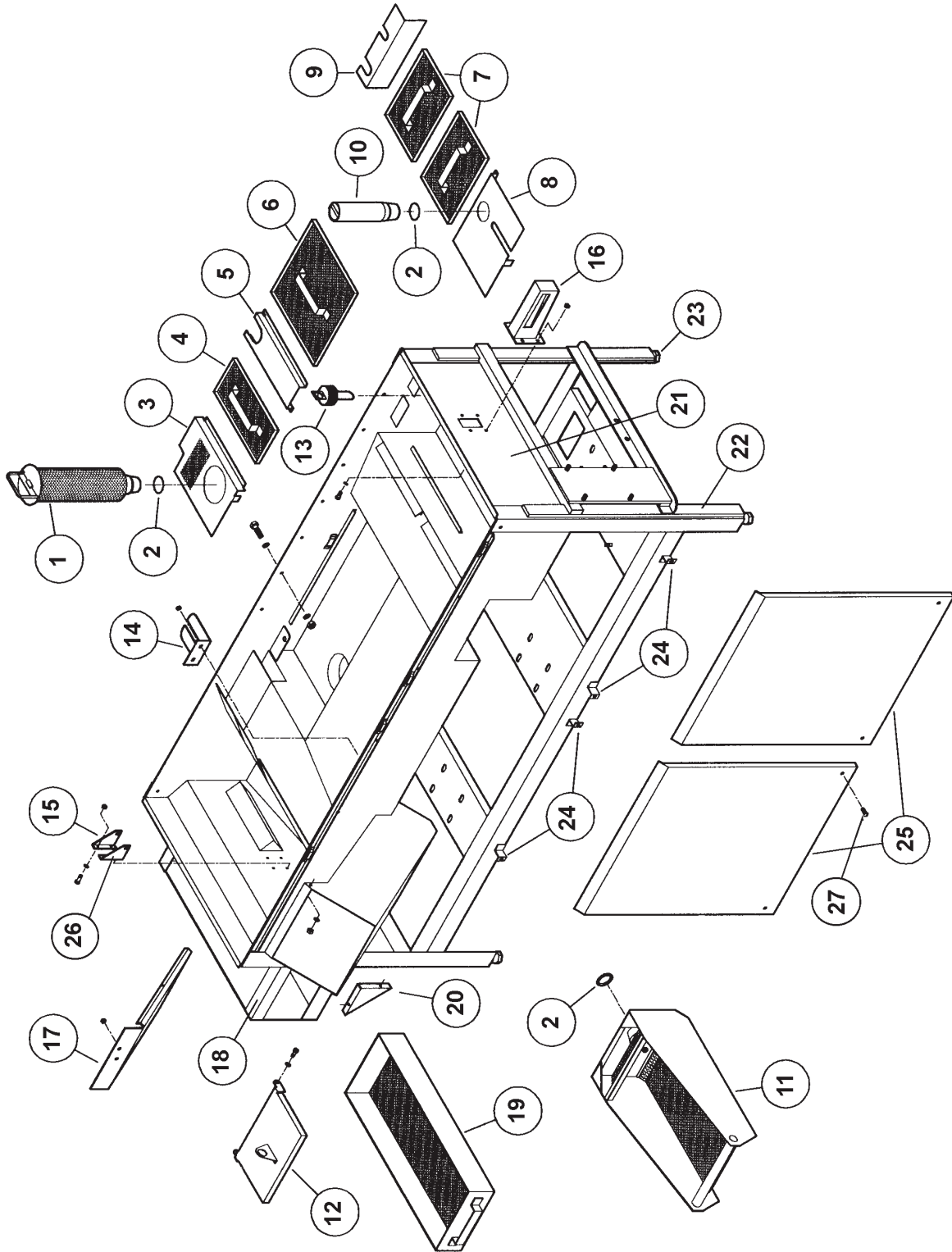
Check with the tankless water heater manufacturer, they may recommend a storage tank to guarantee proper flow and line pressure to the machine. **Failure to provide adequate water quantity, pressure and temperature to the machine will cause the machine to function improperly and is not the responsibility of ADS. Improperly installing ADS equipment or parts in this manner could void the warranty.** All costs associated with providing an adequate water supply to the machine is the sole responsibility of the user.

Drain replacement parts should not be reduced in size, all drain lines should remain the same size as it exits the dishmachine or larger. If you have questions, call 800-922-2178 or visit our website at www.AmericanDish.com

213-0066 L-R / 214-0066 R-L
ADC-66 Conveyor
Dishwasher

American Dish Service

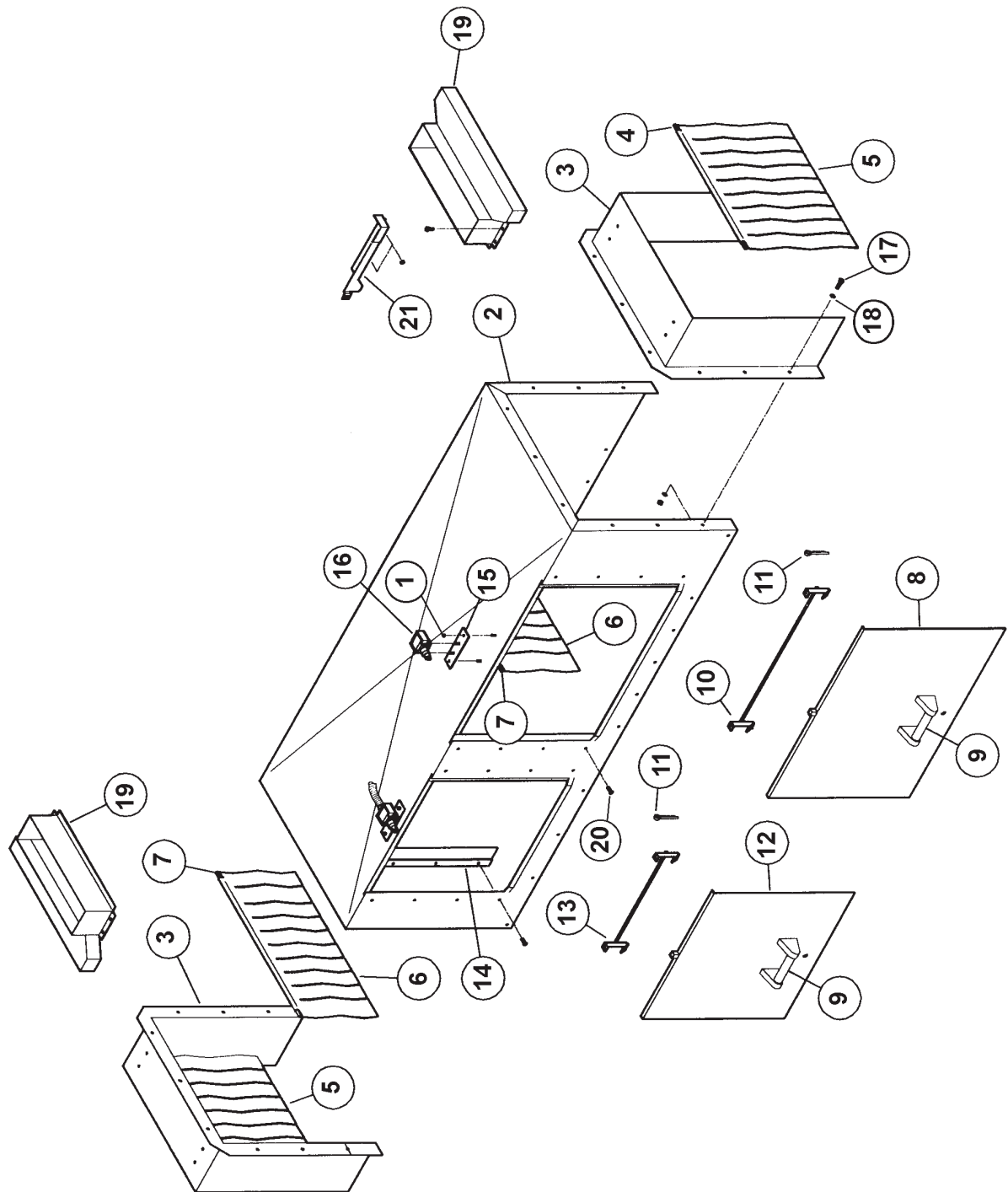


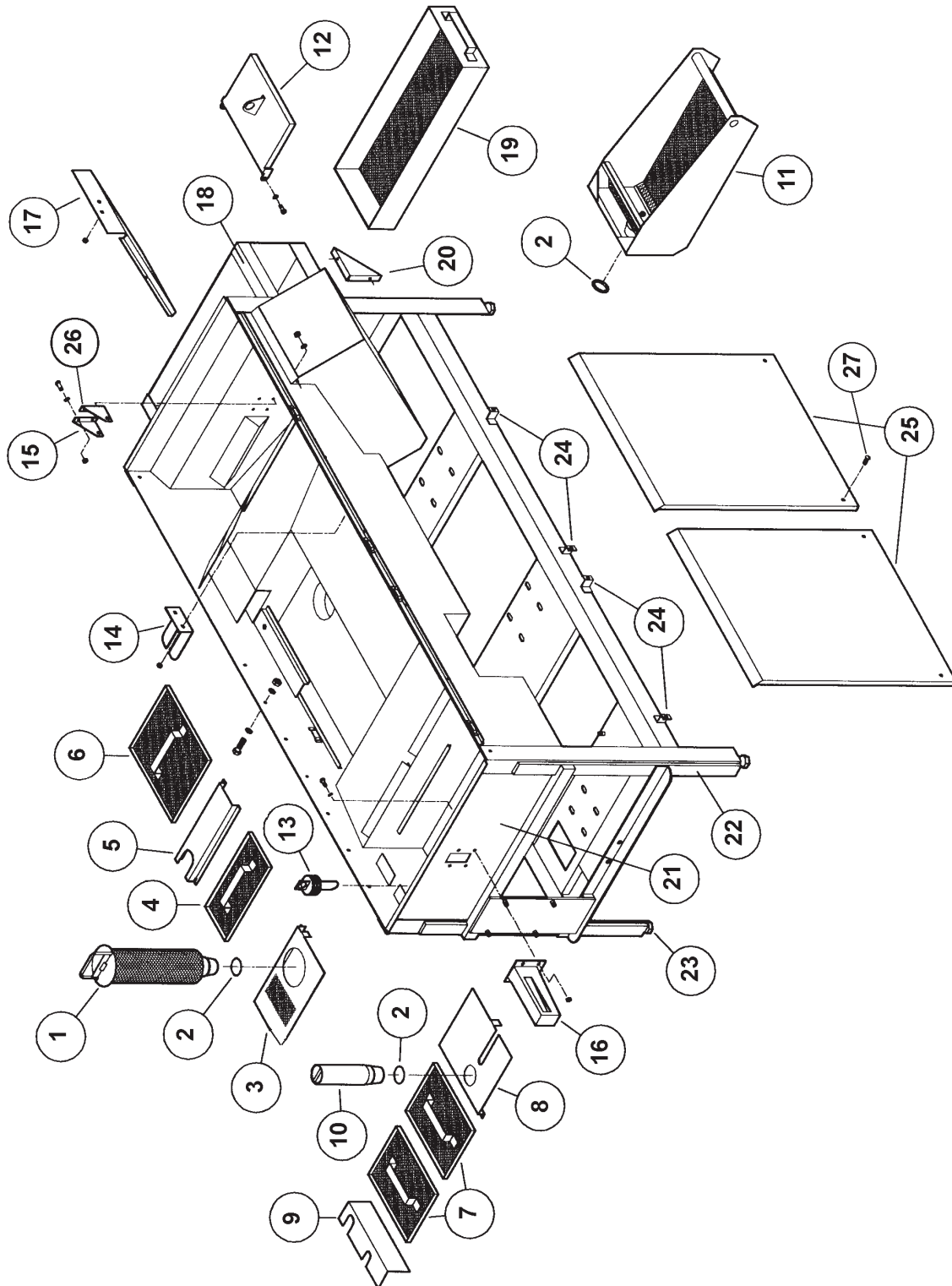


261-0300
 Cabinet Assembly
 ADC-66 L-R

American Dish Service

Ref. No.	Part No.	No. Req.	Description
1	285-6174	1	Filter Weldment, Wash Pump, w/Taper
N/S	281-6211	Rep.	Filter w/O-Ring, Wash Pump
2	289-6611	3	Gasket, O-Ring, Pre-Wash, Wash, and Rinse Taper
3	286-6197	1	Plate, Wash Pump Filter, L-R
4	285-6122	1	Screen Weldment, Wash, Small
5	286-6179	1	Cover, Wash Manifold
6	285-6145	1	Screen Weldment, Wash L-R, Large
7	285-6123	2	Screen Weldment, Rinse Tank
8	286-6200	1	Plate, Rinse Stand Tube, L-R
9	285-6152	1	Cover Weldment, Rinse Float, L-R
10	285-6172	1	Plug Weldment, Rinse Stand Tube
N/S	281-6210	Rep.	Drain Stand Tube w/O-Ring, Rinse Pump
11	285-6197	1	Pre-Wash Screen Basket
12	285-6215	1	Cover Weldment, ADC-66, Pre-Wash Screen Basket
13	285-6162	1	Filter Screen Weldment, Rinse Pump
14	286-6182	1	Guard, Wash Magnet
15	285-6216	1	Bushing Mount Weldment, LH, ADC-66, Idler Arm
16	285-6119	1	Drip Chute Weldment
17	287-6161	1	Baffle, Pre-Wash Tank
18	289-9125	1	Scrap Trap, L-R
19	289-9109	1	Tray, Scrap Trap, Complete
20	289-9114	1	Support, Scrap Trap
21	285-6202	1	Pan Weldment, ADC-66, L-R
22	285-6227	1	Frame Weldment, ADC-66, L-R
23	099-1024	4	Bullet Feet
24	285-6151	4	Front Panel Mount Weldment, Lower
25	285-6201	2	Panel Weldment, Front
26	285-6217	1	Bushing Mount Weldment, RH, ADC-66, Idler Arm
27	098-1414	4	Bolt, 1/4-20 x 1/2", TH, SS
N/S	285-6221	1	Cover, ADC-66, L-R, Pre-Wash Transfer Chute

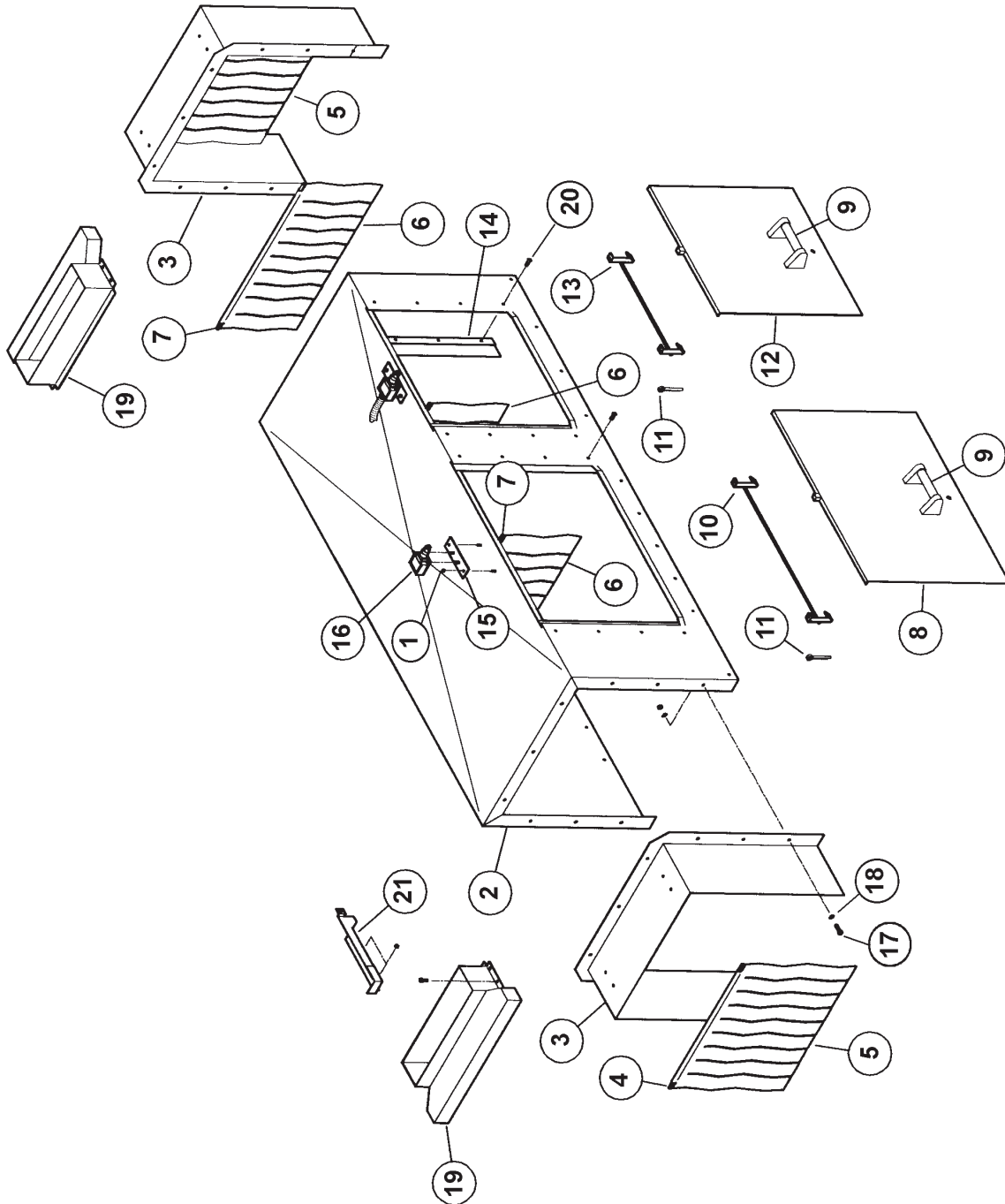




261-0400
Cabinet Assembly
ADC-66 R-L

American Dish Service

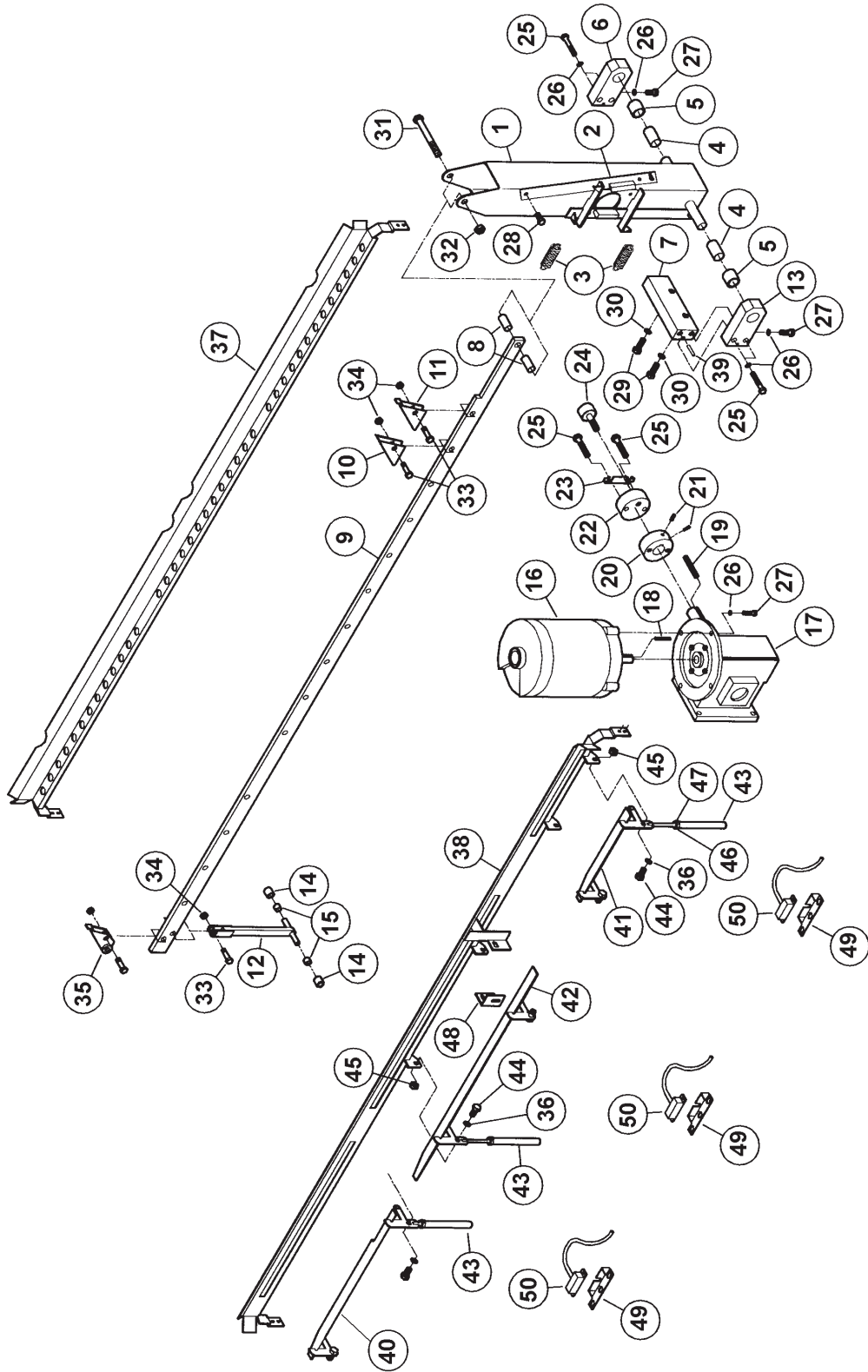
Ref. No.	Part No.	No. Req.	Description
1	285-6174	1	Filter Weldment, Wash Pump, w/Taper
N/S	281-6211	Rep.	Filter w/O-Ring, Wash Pump
2	289-6611	3	Gasket, O-Ring, Pre-Wash, Wash, and Rinse Taper
3	286-6174	1	Plate, Wash Pump Filter, R-L
4	285-6122	1	Screen Weldment, Wash, Small
5	286-6179	1	Cover, Wash Manifold
6	285-6121	1	Screen Weldment, Wash R-L, Large
7	285-6123	2	Screen Weldment, Rinse Tank
8	286-6176	1	Plate, Rinse Stand Tube, R-L
9	285-6126	1	Cover Weldment, Rinse Float, R-L
10	285-6172	1	Plug Weldment, Rinse Stand Tube
N/S	281-6210	Rep.	Drain Stand Tube w/O-Ring, Rinse Pump
11	285-6197	1	Pre-Wash Screen Basket
12	285-6215	1	Cover Weldment, ADC-66, Pre-Wash Screen Basket
13	285-6162	1	Filter Screen Weldment, Rinse Pump
14	286-6182	1	Guard, Wash Magnet
15	285-6217	1	Bushing Mount Weldment, RH, ADC-66, Idler Arm
16	285-6119	1	Drip Chute Weldment
17	287-6161	1	Baffle, Pre-Wash Tank
18	289-9126	1	Scrap Trap, R-L
19	289-9109	1	Tray, Scrap Trap, Complete
20	289-9114	1	Support, Scrap Trap
21	285-6203	1	Pan Weldment, ADC-66, R-L
22	285-6228	1	Frame Weldment, ADC-66, R-L
23	099-1024	4	Bullet Feet
24	285-6151	4	Front Panel Mount Weldment, Lower
25	285-6201	2	Panel Weldment, Front
26	285-6216	1	Bushing Mount Weldment, LH, ADC-66, Idler Arm
27	098-1414	4	Bolt, 1/4-20 x 1/2", TH, SS
N/S	285-6220	1	Cover, ADC-66, R-L, Pre-Wash Transfer Chute



261-0400
 Cabinet Assembly
 ADC-66 R-L

American Dish Service

Ref. No.	Part No.	No. Req.	Description
1	098-2507	46	Locknut, 1/4-20, SS
2	285-6200	1	Hood Weldment, R-L
3	285-6115	2	Hood End Shield Weldment
4	284-6122	2	Curtain Rod, 5/16" x 20.5", SS
5	299-1001	2	Curtain, 21" Wide x 17" Tall
6	299-1002	3	Curtain, 23" Wide x 11" Tall
7	284-6121	3	Curtain Rod, 5/16" x 24", SS
8	285-6233	1	Door Weldment, ADC-66, Wash Tank
9	285-6139	2	Handle Weldment, Front Access Door
10	285-6125	1	Latch Weldment, Door
11	098-8008	4	Cotter Pin, 3/32" x 1", SS
12	285-6193	1	Pre-Wash Door Weldment
13	285-6205	1	Pre-Wash Door Latch Weldment
14	287-6123	4	Door Guide, SS
15	285-6103	2	Bracket, Door Cut-Off
16	099-4502	2	Switch, Door Cut-Off
17	098-1423	26	Bolt, 1/4-20 x 1/2", HH, SS
18	098-2404	46	Washer, 1/4", SS
19	285-6116	2	Vent Weldment, Hood End Shield
20	098-1414	16	Bolt, 1/4-20 x 1/2", TH, SS
21	285-6127	1	Duct Weldment, Inlet Water, R-L
N/S	287-6157	1	Brace, Pan Rear

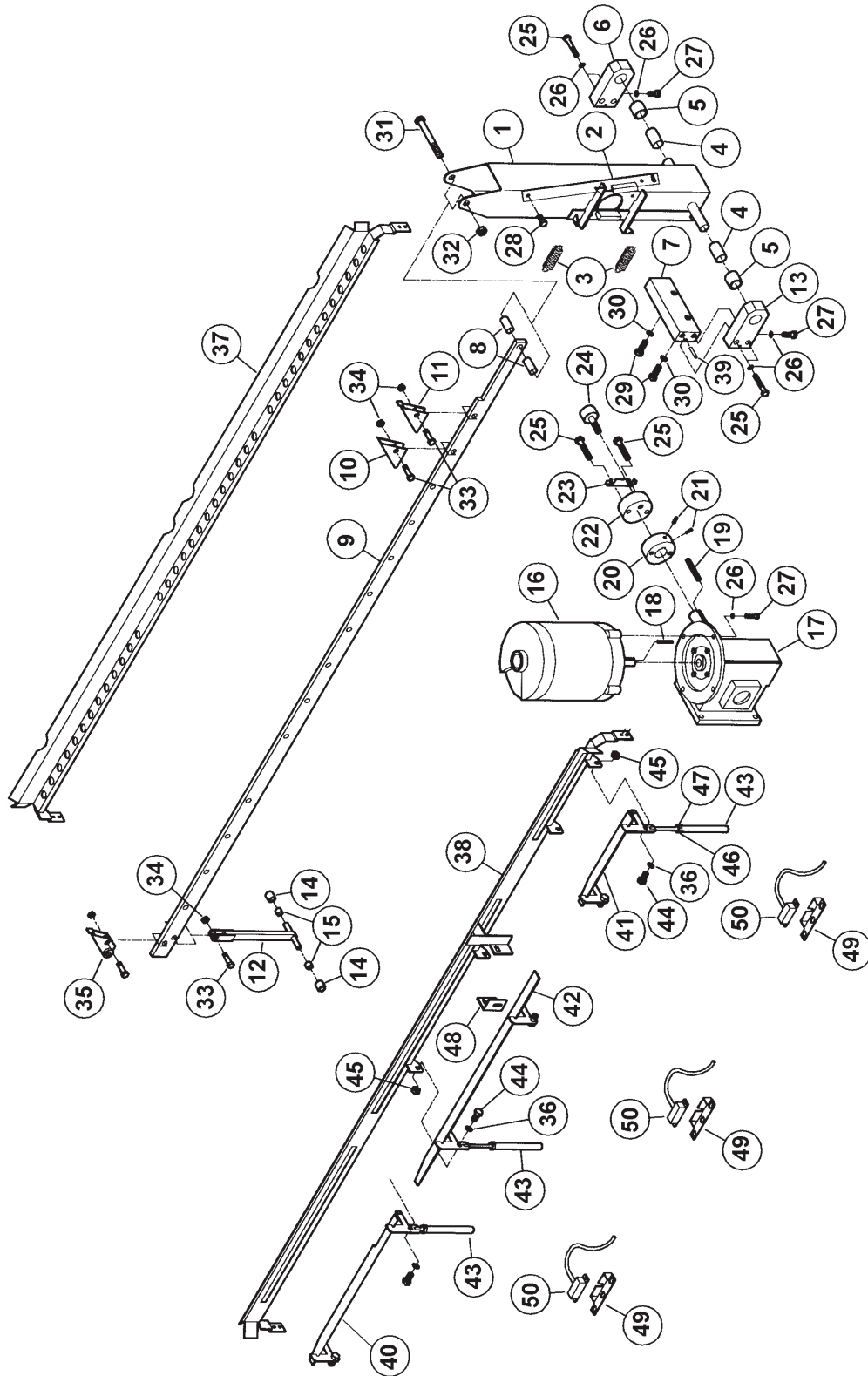


268-1000

Conveyor Drive & Tray Track
Control, ADC-66 L-R

American Dish Service

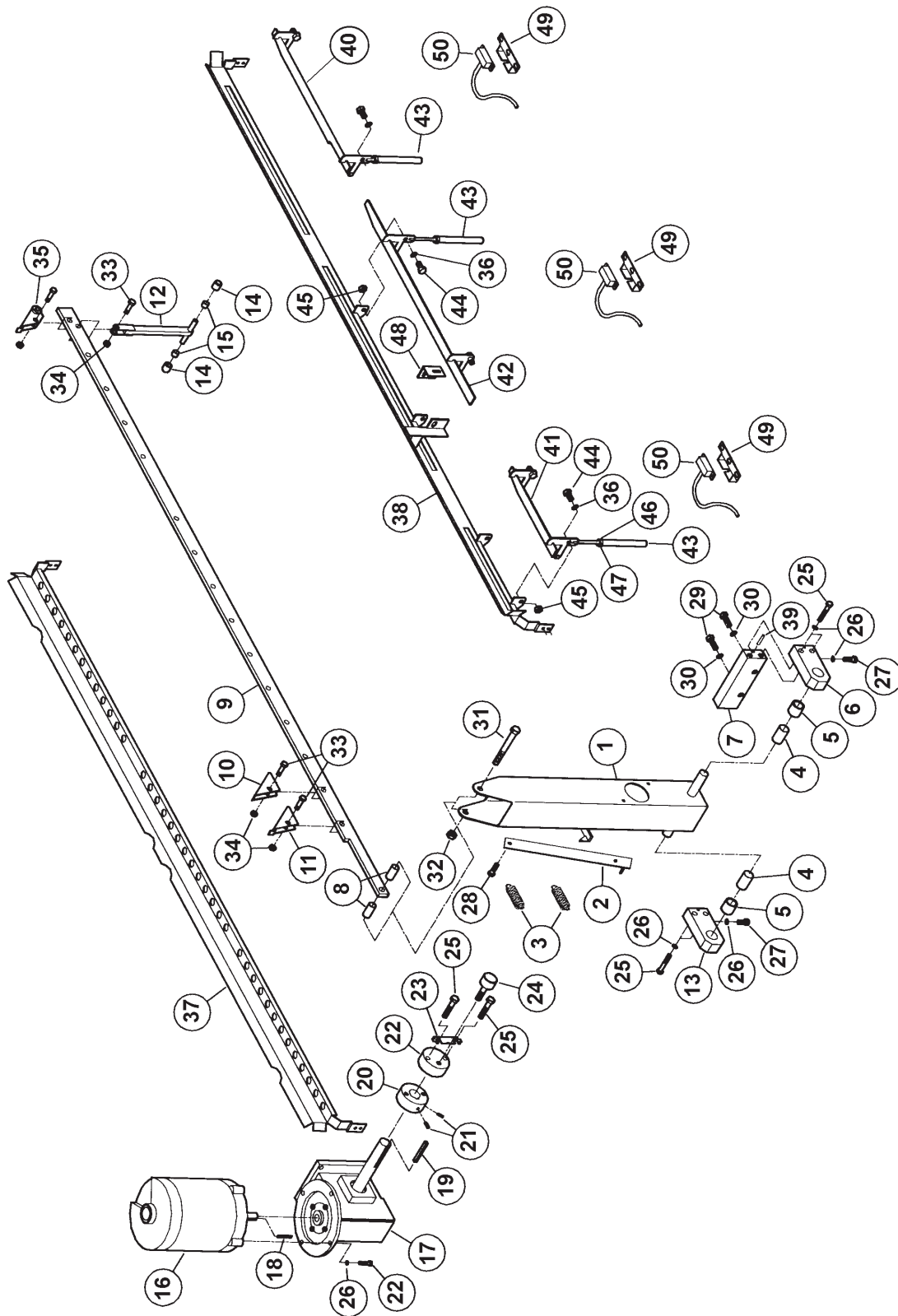
Ref. No.	Part No.	No. Req.	Description
1	285-6133	1	Rocker Arm Weldment
2	285-6134	2	Slip Clutch Bar Weldment
3	298-3001	2	Spring, Slip Clutch
4	284-6142	2	Spacer, Rocker Arm
5	298-4001	2	Bushing, 1" OD x 3/4" ID x 7/8" Lg
6	284-6141	1	Block, Pillow Bushing, RH
7	284-6139	1	Block, Base, Pillow Bushing
8	284-6149	2	Spacer, Conveyor Connecting Bolt
9	284-6202	1	Bar, Conveyor, ADC-66
10	285-6136	13	Dog Weldment, Conveyor
11	285-6137	2	Exit Dog Weldment, Conveyor
12	285-6135	1	Idler Arm Weldment
13	284-6140	1	Block, Pillow Bushing, LH
14	298-4002	2	Bushing, Idler Arm, 5/8" OD x 3/8" ID x 5/8" Lg
15	284-6143	2	Spacer, Idler Arm, 5/8" OD x 3/8" ID x 3/8" Lg
16	291-1003	1	Motor, 1/3 HP, 3 Ph
17	291-1004	1	Gear Box (53:1)
18	284-6201	1	Key, Conveyor Drive Motor
19	284-6137	1	Key, Cam Block
20	284-6134	1	Cam Block (A), Gear Box Side
21	098-1441	2	Set Screw, 1/4-20 x 1/2" Lg
22	284-6135	1	Cam Block (B), Cam Follower Side
23	286-6189	1	Bolt, Lock, Cam Follower
24	281-6201	1	Bearing, Cam Follower
25	098-1611	6	Bolt, 3/8-16 x 2", HH, SS
26	098-2710	10	Lockwasher, 3/8", SS
27	098-1614	6	Bolt, 3/8" x 1", HH, SS
28	098-1506	2	Bolt, 5/16-18 x 3/4", HH, SS
29	098-1802	2	Bolt, 1/2-13 x 1 1/4", HH, SS
30	098-2802	2	Lockwasher, 1/2", SS
31	098-1801	1	Bolt, 1/2-13 x 4", HH, SS
32	098-2801	1	Locknut, 1/2-13, SS
33	098-1612	17	Bolt, 3/8-16 x 1 1/8" w/ 3/4" Shoulder, HH, SS
34	098-2708	17	Locknut, 3/8-16, SS
35	285-6212	1	Dog Weldment, ADC-66
36	098-2404	18	Washer, 1/4", SS
37	285-6225	1	Tray Track Weldment, ADC-66, L-R, Rear
38	285-6224	1	Tray Track Weldment, ADC-66, L-R, Front
39	098-8009	2	Dowel Pin, 3/16" x 1" Lg, SS
40	285-6214	1	Sequence Bar Weldment, ADC-66, L-R, Pre-Wash



268-1000
 Conveyor Drive & Tray Track
 Control, ADC-66 L-R

American Dish Service

Ref. No.	Part No.	No. Req.	Description
41	285-6108	1	Tray Track Sequence Bar Weldment, Rinse
42	285-6107	1	Tray Track Sequence Bar Weldment, Wash
43	285-6109	3	Magnet Weldment, Tray Track Sequence Bar
44	098-1428	6	Bolt, 1/4-20 x 1 1/8" Lg, HH, SS
45	098-2507	6	Locknut, 1/4-20, SS
46	098-2506	3	Lockwasher, 5/16", SS
47	098-2501	3	Locknut, 5/16-18, SS
48	286-6178	4	Bracket, Tray Track, Mount
49	286-6113	4	Bracket, Reed Switch
50	291-3011	3	Switch, Reed
N/S	288-1047	Rep.	Conveyor Drive Motor and Gear Box Assembly
N/S	288-1053	Tool	Tool, Conveyor Clutch Spring

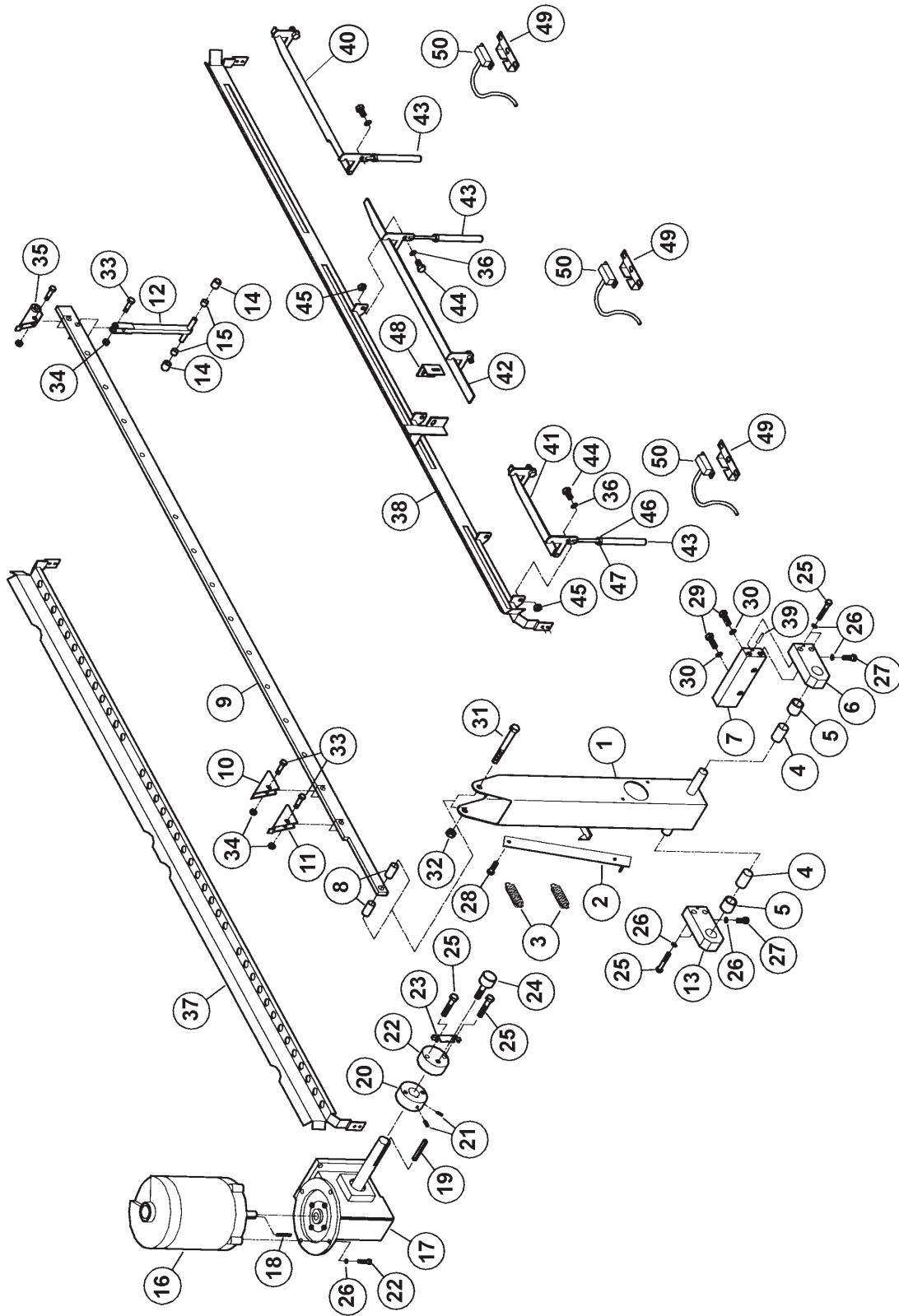


268-1100

Conveyor Drive & Tray Track
Control, ADC-66 R-L

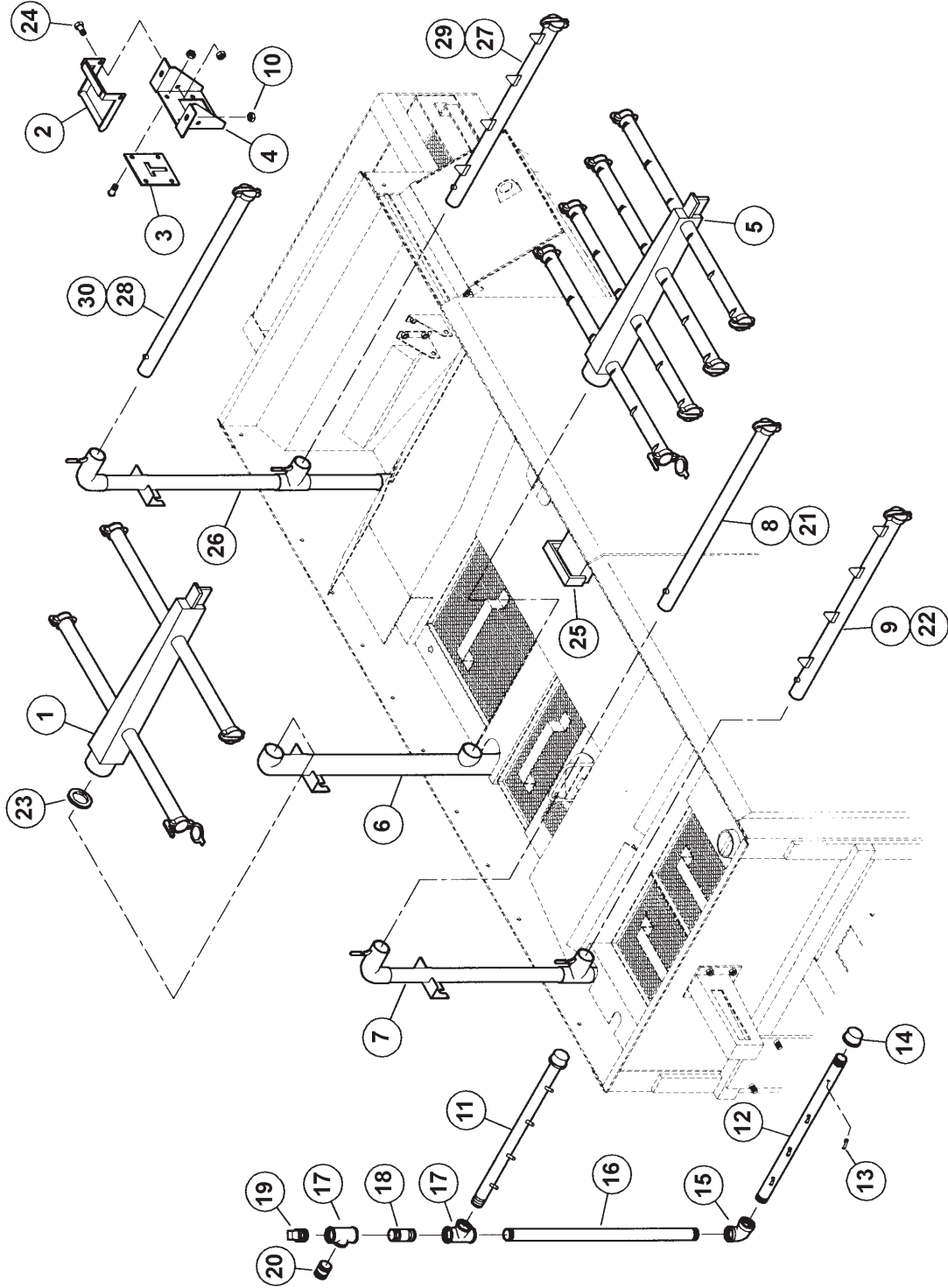
American Dish Service

Ref. No.	Part No.	No. Req.	Description
1	285-6133	1	Rocker Arm Weldment
2	285-6134	2	Slip Clutch Bar Weldment
3	298-3001	2	Spring, Slip Clutch
4	284-6142	2	Spacer, Rocker Arm
5	298-4001	2	Bushing, 1" OD x 3/4" ID x 7/8" Lg
6	284-6141	1	Block, Pillow Bushing, RH
7	284-6139	1	Block, Base, Pillow Bushing
8	284-6149	2	Spacer, Conveyor Connecting Bolt
9	284-6202	1	Bar, Conveyor, ADC-66
10	285-6136	13	Dog Weldment, Conveyor
11	285-6137	2	Exit Dog Weldment, Conveyor
12	285-6135	1	Idler Arm Weldment
13	284-6140	1	Block, Pillow Bushing, LH
14	298-4002	2	Bushing, Idler Arm, 5/8" OD x 3/8" ID x 5/8" Lg
15	284-6143	2	Spacer, Idler Arm, 5/8" OD x 3/8" ID x 3/8" Lg
16	291-1003	1	Motor, 1/3 HP, 3 Ph
17	291-1004	1	Gear Box (53:1)
18	284-6201	1	Key, Conveyor Drive Motor
19	284-6137	1	Key, Cam Block
20	284-6134	1	Cam Block (A), Gear Box Side
21	098-1441	2	Set Screw, 1/4-20 x 1/2" Lg
22	284-6135	1	Cam Block (B), Cam Follower Side
23	286-6189	1	Bolt, Lock, Cam Follower
24	281-6201	1	Bearing, Cam Follower
25	098-1611	6	Bolt, 3/8-16 x 2", HH, SS
26	098-2710	10	Lockwasher, 3/8", SS
27	098-1614	6	Bolt, 3/8" x 1", HH, SS
28	098-1506	2	Bolt, 5/16-18 x 3/4", HH, SS
29	098-1802	2	Bolt, 1/2-13 x 1 1/4", HH, SS
30	098-2802	2	Lockwasher, 1/2", SS
31	098-1801	1	Bolt, 1/2-13 x 4", HH, SS
32	098-2801	1	Locknut, 1/2-13, SS
33	098-1612	17	Bolt, 3/8-16 x 1 1/8" w/ 3/4" Shoulder, HH, SS
34	098-2708	17	Locknut, 3/8-16, SS
35	285-6212	1	Dog Weldment, ADC-66
36	098-2404	18	Washer, 1/4", SS
37	285-6223	1	Tray Track Weldment, ADC-66, R-L, Rear
38	285-6222	1	Tray Track Weldment, ADC-66, R-L, Front
39	098-8009	2	Dowel Pin, 3/16" x 1" Lg, SS
40	285-6213	1	Sequence Bar Weldment, ADC-66, R-L, Pre-Wash



265-0900 L-R Spray System
Assembly
265-1000 R-L Spray System
Assembly(Shown)
ADC-66

American Dish Service



265-0900 L-R Spray System
Assembly

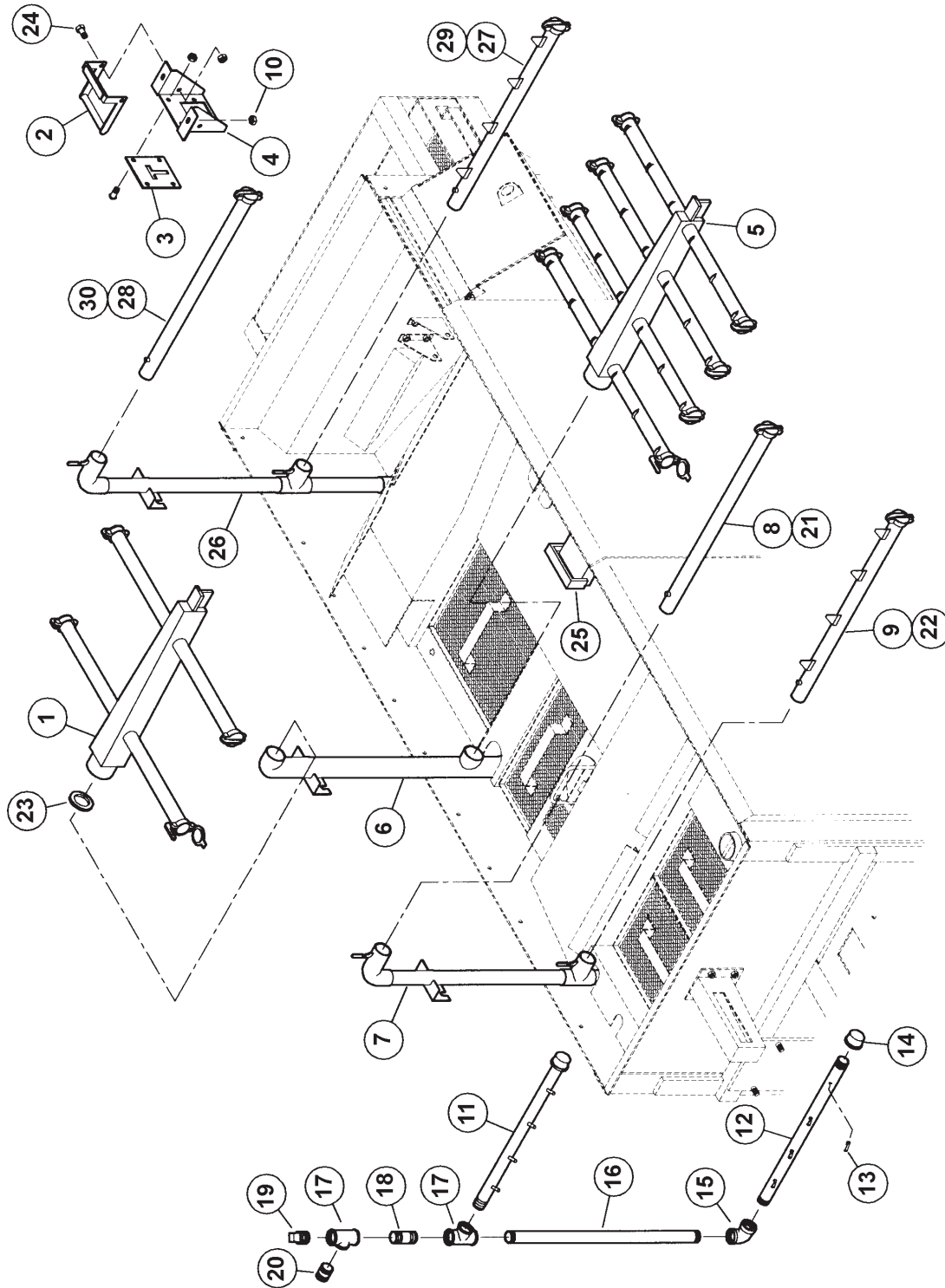
265-1000 R-L Spray System
Assembly(Shown)
ADC-66

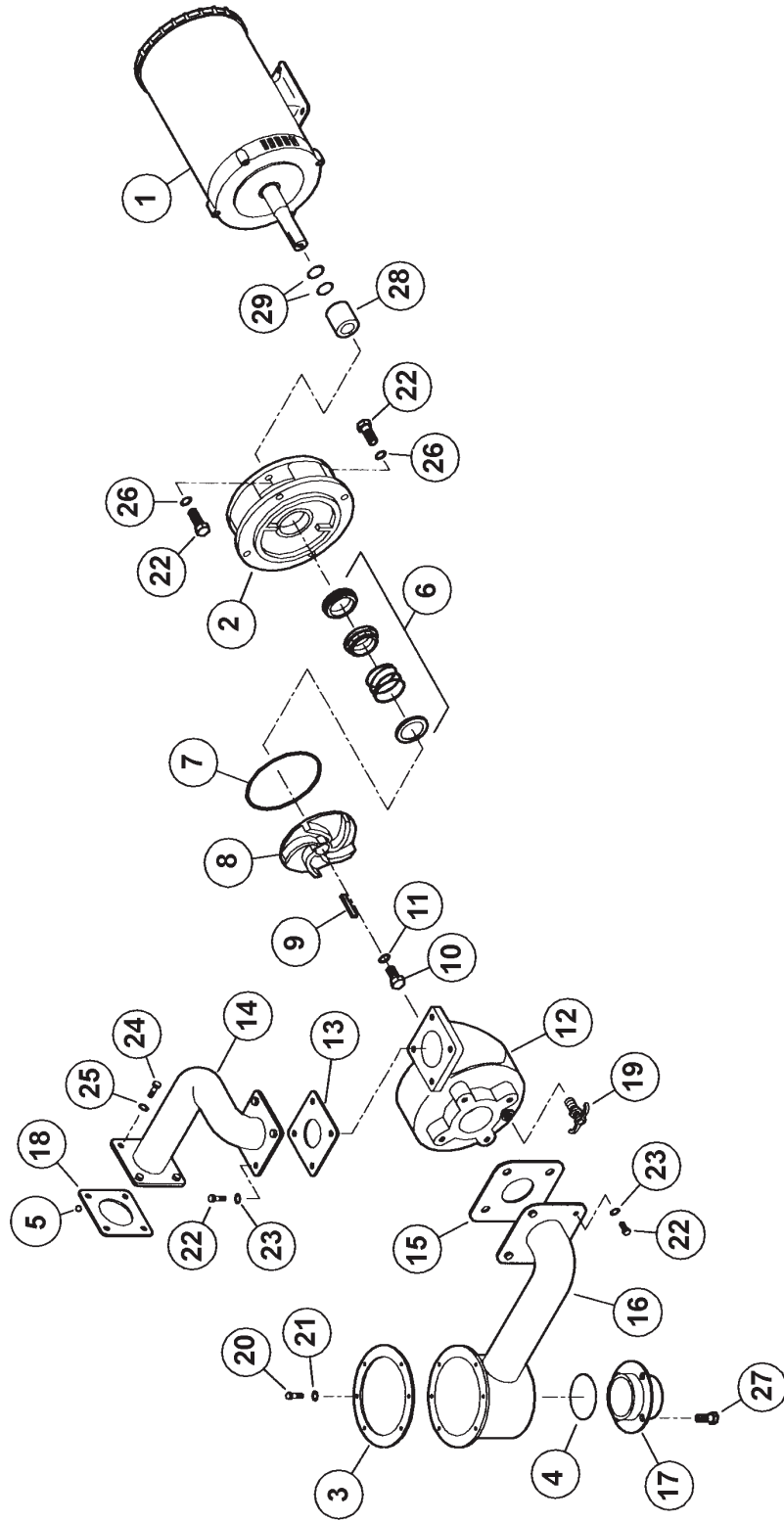
American Dish Service

Ref. No.	Part No.	No. Req.	Description
1	285-6159	1	Upper Wash Arm Weldment Assembly
2	285-6129	1	Handle Weldment, Upper Wash Arm Mount
3	285-6128	1	Tee Plate Weldment, Upper Wash Arm
4	286-6177	1	Bracket, Upper Wash Arm Mount
5	285-6156	1	Lower Wash Arm Weldment Assembly
6	285-6155	1	Manifold Weldment, Inside Wash
7	285-6166	1	Manifold Weldment, Inside Pumped Rinse
8	285-6168	1	Spray Arm Weldment, Pumped Rinse, Upper, L-R
9	285-6167	1	Spray Arm Weldment, Pumped Rinse, Lower, L-R
10	098-2507	8	Locknut, 1/4-20, SS
N/S	285-6158	14	Spray Arm Endcap Weldment
11A	281-6208	1	Spray Arm, Final Rinse, Upper, L-R, SS Jets
11B	281-6206		Spray Arm, Final Rinse, Upper, L-R, Poly Jets
11C	281-6204		Spray Arm, Final Rinse, Upper, R-L, SS Jets
11D	281-6202		Spray Arm, Final Rinse, Upper, R-L, Poly Jets
11E	285-6142		Spray Arm Weld., Final Rinse, Upper, L-R, Arm Only
11F	285-6140		Spray Arm Weld., Final Rinse, Upper, R-L, Arm Only
12A	281-6209	1	Spray Arm, Final Rinse, Lower, L-R, SS Jets
12B	281-6207		Spray Arm, Final Rinse, Lower, L-R, Poly Jets
12C	281-6205		Spray Arm, Final Rinse, Lower, R-L, SS Jets
12D	281-6203		Spray Arm, Final Rinse, Lower, R-L, Poly Jets
12E	285-6143		Spray Arm Weld., Final Rinse, Lower, L-R, Arm Only
12F	285-6141		Spray Arm Weld., Final Rinse, Lower, R-L, Arm Only
13A	284-6146	8	Jets, Final Rinse Spray Arm, SS
13B	284-6145		Jets, Final Rinse Spray Arm, Poly
14	292-1011	2	Cap, 1/2" FPT, SS
15	292-1003	1	Fitting, 1/2" FPT 90° Elbow, SS
16	292-3009	1	Nipple, 1/2" x 2 1/2" Lg, SS
17	292-1002	2	Fitting, 1/2" x 1/2" x 1/2" Tee, SS
18	292-3010	1	Nipple, 1/2" x 3", SS
19	292-1012	1	Plug, 1/2" MPT, SS
20	292-3001	1	Nipple, 1/2" x 1 1/2" Lg, SS
21	285-6170		Spray Arm, Pumped Rinse, Upper, R-L
22	285-6169		Spray Arm, Pumped Rinse, Lower, R-L
23	289-6608	2	Gasket, O-Ring, Wash Arm
24	098-1423	2	Bolt, 1/4-20 x 1/2", HH, SS
25	285-6130	1	Handle Weldment, Wash Arm Mount, Lower
26	285-6198	1	Manifold Weldment, Pre-Wash
27	285-6236	1	Spray Arm Weldment R-L, ADC-66, Lower Pre-Wash
28	285-6237	1	Spray Arm Weldment R-L, ADC-66, Upper Pre-Wash

265-0900 L-R Spray System
Assembly
265-1000 R-L Spray System
Assembly(Shown)
ADC-66

American Dish Service



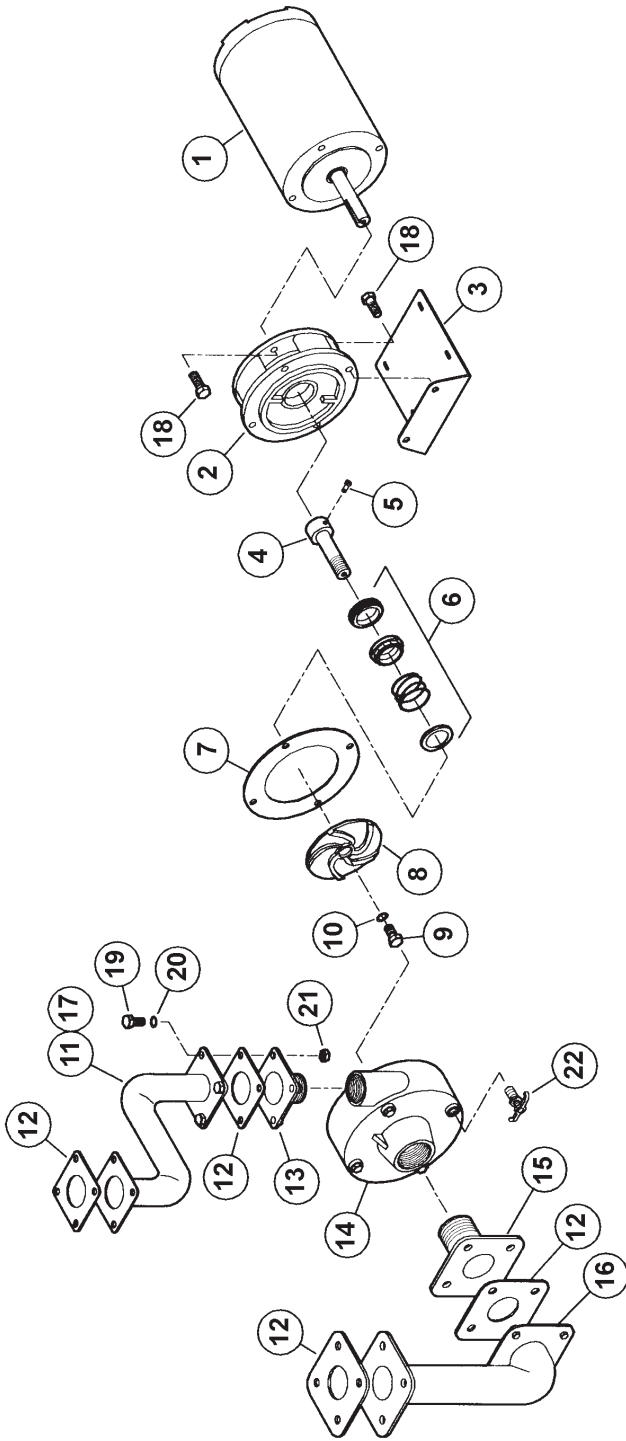


263-0100

Wash Pump Assembly
ADC-66 L-R/R-L

American Dish Service

Ref. No.	Part No.	No. Req.	Description
1	291-1002	1	Motor, 3 HP, 3 Phase, w/Shaft
2	282-6301	1	Rear Housing, Wash Pump
3	089-6601	1	Gasket, Sump
4	289-6606	1	Gasket, O-Ring, Drain Socket Flange
5	098-2510	4	Washer, SS/Rubber
6	292-2001	1	Seal, Wash Pump
7	289-6603	1	Gasket, Wash Pump, O-Ring
8	282-6303	1	Impeller, Wash Pump
9	284-6151	1	Key, Wash Pump, Impeller
10	098-1613	1	Bolt, 3/8-16 x 1" Lg, HH, SS, w/Lock Strip
11	098-2711	1	Washer, 3/8" ID x 1" OD x .103" Thick, SS
12	282-6302	1	Cover, Wash Pump
13	289-6604	1	Gasket, Wash Pump, Discharge Flange
14	285-6153	1	Discharge Tube Weldment, Wash Pump
15	289-6605	1	Gasket, Wash Pump Intake Flange
16	285-6154	1	Intake Tube, Sump Weldment, Wash Pump
17	285-6157	1	Drain Socket Weldment, Wash
18	289-6607	2	Gasket, Wash Tank Flange
19	292-1013	1	Petcock, 1/4" MPT
20	098-1423	6	Bolt, 1/4-20 x 1/2", HH, SS
21	098-2404	6	Washer, 1/4", SS
22	098-1614	16	Bolt, 3/8-16 x 1" Lg, HH, SS
23	098-2711	8	Washer, 3/8" ID x .103 Thick, SS
24	098-1514	4	Bolt, 5/16-18 x 1 1/2", HH, SS
25	098-2509	8	Washer, 5/16", SS
26	098-2710	8	Lockwasher, 3/8", SS
27	098-1502	4	Bolt, 5/16-18 x 1/2", HH, SS
N/S	288-1048	Rep.	Pump Assembly, Less Cover, Wash, 3 HP, 3 Phase



263-0300L-R / 263-0400R-L

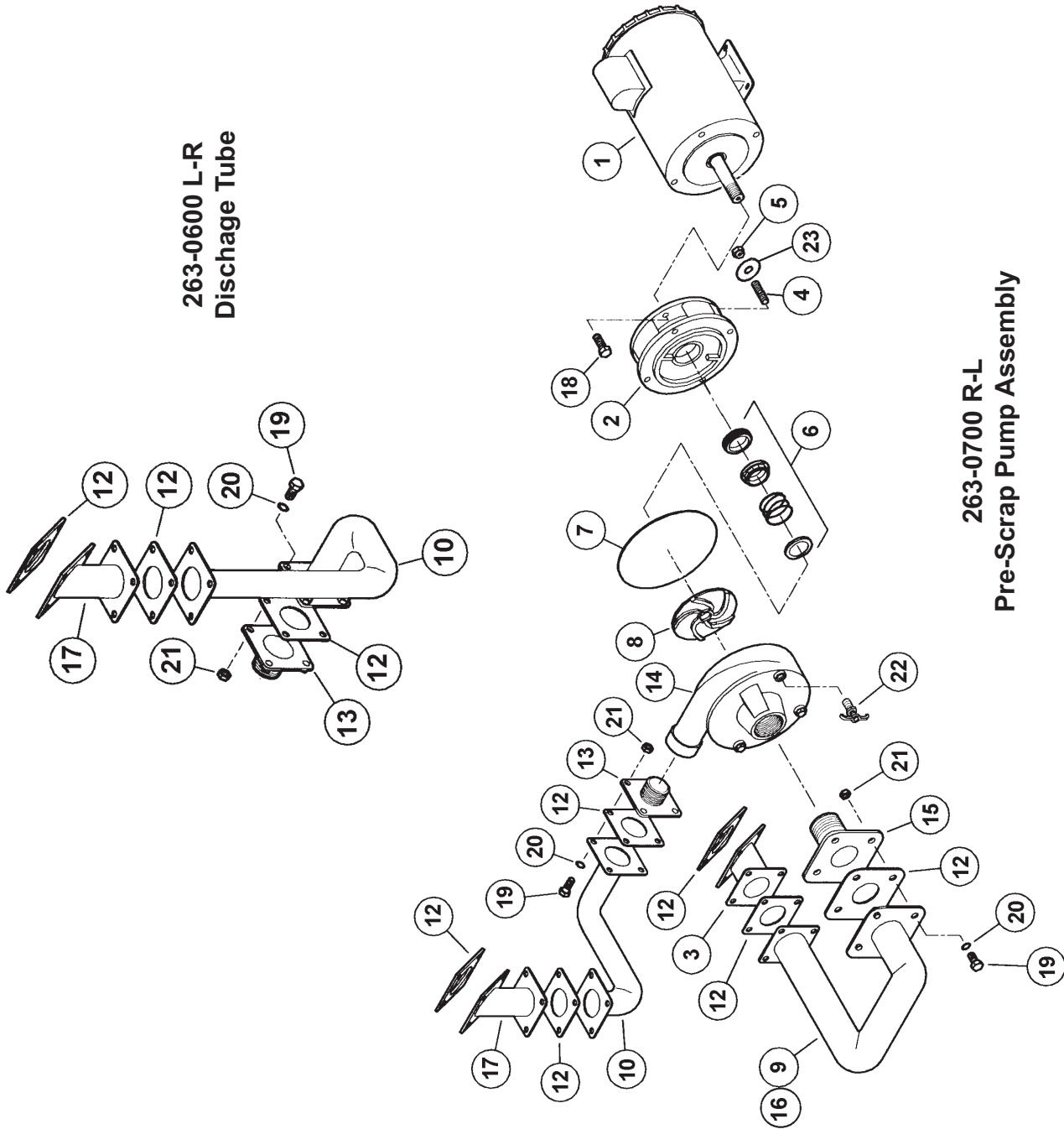
Rinse Pump Assembly
ADC-66

American Dish Service

Ref. No.	Part No.	No. Req.	Description
1	291-1003	1	Motor, 1/3 HP, 3 Phase
2	282-6307	1	Rear Housing, Pumped Rinse
3	286-6250	1	Plate, Pump Rinse Motor Support, w/Pad
4	284-6163	1	Pump Shaft, Pumped Rinse
5	098-1442	2	Set Screw, 1/4-20 x 3/8" Lg
6	292-2002	1	Seal, Pumped Rinse Pump
7	289-6609	1	Gasket, Pumped Rinse Pump
8	282-6308	1	Impeller, Pumped Rinse Pump
9	098-1443	1	Bolt, 1/4-28 x 3/8" Lg, HH, SS
10	098-2413	1	Washer, .285 ID x .625 OD x .086 Thick, SS
11	285-6164	1	Discharge Tube Weldment, L-R
12	289-6610	4	Gasket, Flange, Pumped Rinse Pump
13	285-6165	1	Discharge Flange Assembly Weldment
14	282-6306	1	Cover, Pumped Rinse Pump
15	285-6161	1	Intake Flange Weldment Assembly
16	285-6160	1	Intake Tube Weldment
17	285-6163	1	Discharge Tube Weldment, R-L
18	098-1607	8	Bolt, 3/8-16 x 7/8", HH, SS
19	098-1426	16	Bolt, 1/4-20 x 3/4", HH, SS
20	098-2404	32	Washer, 1/4", SS
21	098-2507	16	Locknut, 1/4-20, SS
22	092-1002	1	Petcock, 1/8" MPT
N/S	288-1040	Rep.	Kit, Rinse Pump Seal
N/S	288-1049	Rep.	Pump Assembly, Less Cover, Rinse, 1/3 HP, 3 Phase
N/S	288-1050	Rep.	Pump Assembly, Less Flanges, Rinse, 1/3 HP, 3 Phase

263-0600 L-R Pre-Wash Pump
 Assembly
 263-0700 R-L Pre-Wash Pump
 Assembly
 ADC-66

American Dish Service



263-0600 L-R
 Discharge Tube

263-0700 R-L
 Pre-Scrap Pump Assembly

263-0600 L-R Pre-Wash Pump
Assembly

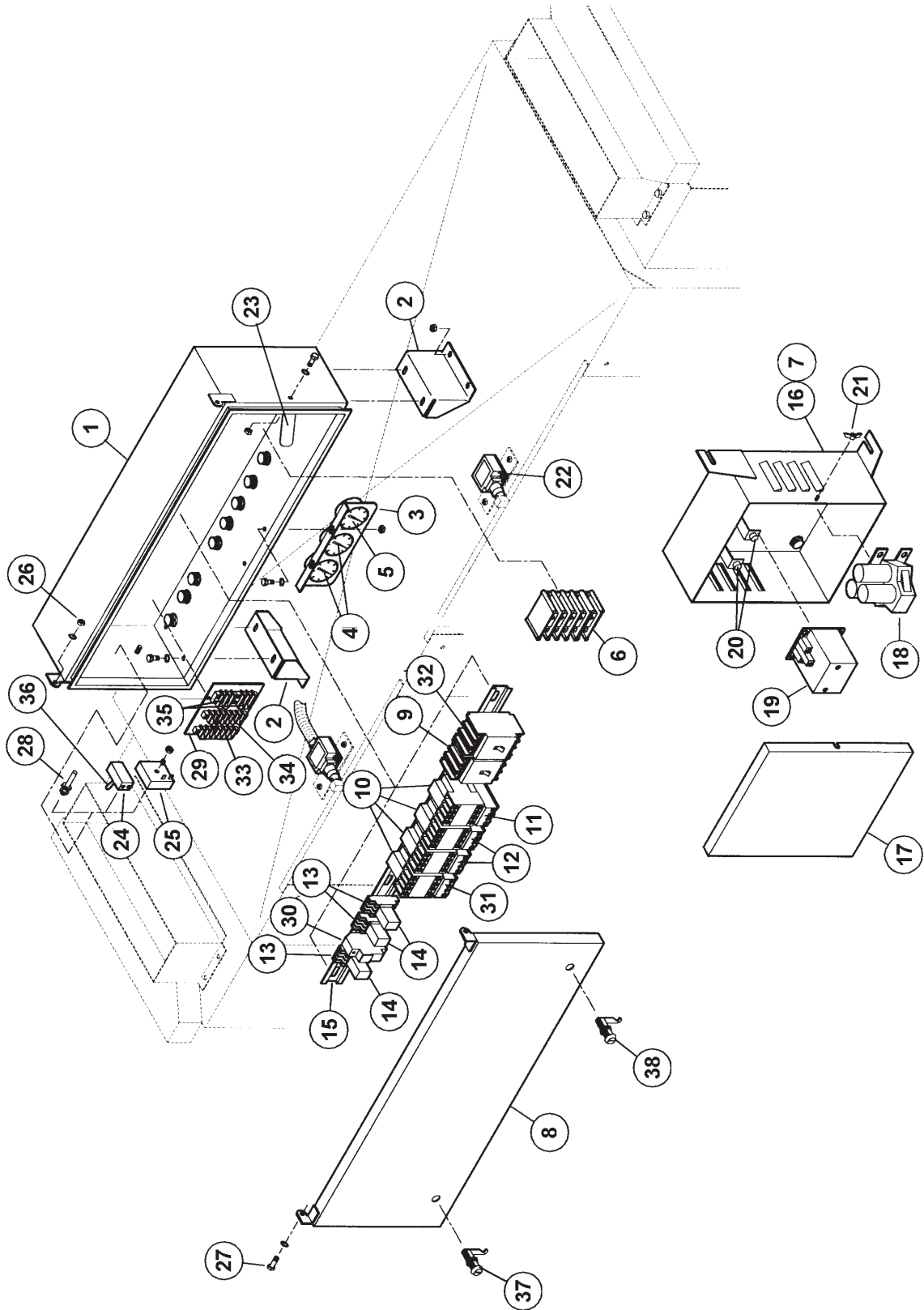
263-0700 R-L Pre-Wash Pump
Assembly
ADC-66

American Dish Service

Ref. No.	Part No.	No. Req.	Description
1	291-1009	1	Motor, 1 ½ HP, 1 Phase, ADC-66
2	082-6301	1	Rear Housing, Pre-Wash
3	285-6229	1	Suction Tube Extension Weldment, Pre-Wash
4	098-1512	4	Stud, 5/16-18 x 1 5/8", SS
5	098-2502	4	Nut, 5/16-18, SS
6	092-2001	1	Seal, Pre-Wash Pump
7	089-6309	1	O-Ring, Pump
8	082-6306	1	Impeller
9	285-6241	1	Suction Tube Weldment, Pre-Wash, R-L
10	285-6204	1	Discharge Tube Weldment, Pre-Wash, L-R
11	285-6226	1	Discharge Tube Weldment, Pre-Wash, R-L
12	289-6610	6	Gasket, Flange, Pre-Wash Pump Flange
13	285-6165	1	Discharge Flange Assembly Weldment
14	082-6307	1	Cover, Pre-Wash Pump
15	285-6161	1	Intake Flange Weldment
16	285-6192	1	Suction Tube Weldment, Pre-Wash, L-R
17	285-6230	1	Discharge Tube Extension Weldment, Pre-Wash
18	098-1607	4	Bolt, 3/8-16 x 7/8", HH, SS
19	098-1426	24	Bolt, ¼-20 x ¾", HH, SS
20	098-2404	48	Washer, ¼", SS
21	098-2507	24	Locknut, ¼-20, SS
22	092-1002	1	Petcock, 1/8"
23	098-2503	4	Washer, 5/16", Copper

264-0500 L-R
Control System Assembly
264-0600 R-L
Control System Assembly
ADC-66

American Dish Service



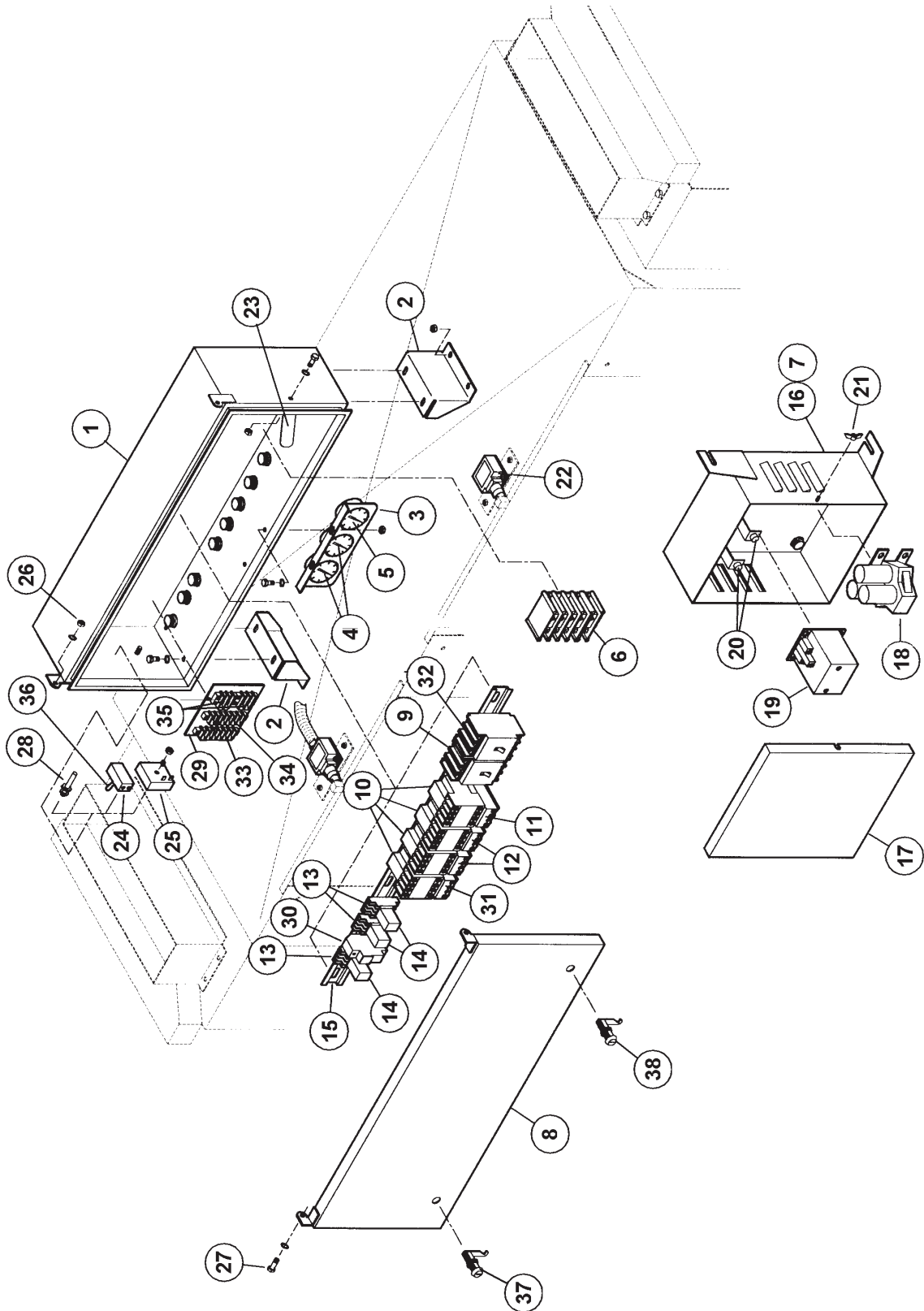
264-0500 L-R
Control System Assembly
264-0600 R-L
Control System Assembly
ADC-66

American Dish Service

Ref. No.	Part No.	No. Req.	Description
1	285-6231	1	Control Box Weldment
2	286-6111	2	Control Box Mounts
3	286-6180	1	Bracket, Temperature Gauge
4	299-1005	2	Temperature Gauge, Wash and Rinse Tank
5	299-1004	1	Temperature Gauge, Final Rinse
6	391-5101	1	Terminal Block
7	285-6240	1	Power Box Weldment, R-L
8	285-6102	1	Cover Weldment, Control Box
9	291-3020	1	Circuit Breaker, 60 Amp, 3 Pole
10	291-3001	4	Contactors
11	291-3002	1	Overload, 3 HP, 3 Phase
12	291-3003	2	Overload, 1/3 HP, 3 Phase
13	291-3009	3	Socket, Relay
14	291-3005	3	Relay, 110V, DPDT
15	291-9107	1	Din Rail, 22" Lg
16	285-6239	1	Power Box Weldment, L-R
17	287-6104	1	Cover, Power Box
18	291-3032	1	Contactors, Wash Heater
19	291-3001	1	Contactors, Rinse Heater
20	091-7006	2	Light, Heater
21	098-2308	2	Wingnut, 1/4-20, SS
22	099-4502	2	Switch, Door Cut-Off
23	284-6101	1	Bar, Control Box Safety
24	091-3008	1	Switch, Master
25	291-3008	1	Relay, Time Delay, 6 Second
26	098-2507	13	Locknut, 1/4-20, SS
27	098-1423	2	Bolt, 1/4-20 x 1/2", HH, SS
28	291-7101	1	Light, Indicator
29	286-6107	1	Terminal Block Plate
30	391-9101	1	Fuse Holder
31	291-3023	1	Overload, 1 1/2 HP
32	291-3021	1	Circuit Breaker, 20 Amp, 3 Pole
33	091-5010	1	Terminal Block, 110V
34	291-5106	1	Terminal Block, 110V
35	291-5104	2	Terminal Lock, Chemical Dispenser, 2 Pole
36	291-9105	1	Boot, Master Switch Cover
37	096-1002	1	Control Box Lock
38	096-1008	1	Control Box Dummy Lock
N/S	291-3011	3	Switch, Reed
N/S	291-3022	1	Switch, ADC-66 Pre-Wash, Reed (Normally Open)

264-0500 L-R
Control System Assembly
264-0600 R-L
Control System Assembly
ADC-66

American Dish Service



264-0500 L-R
Control System Assembly
264-0600 R-L
Control System Assembly
ADC-66

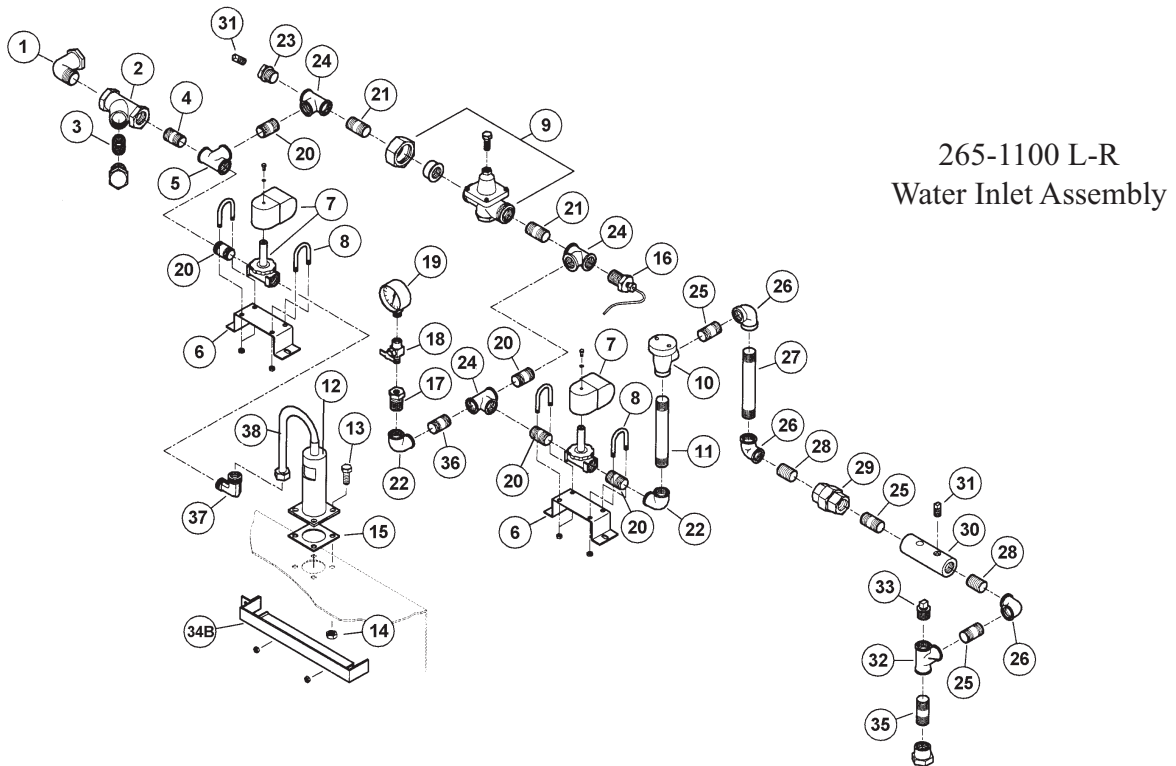
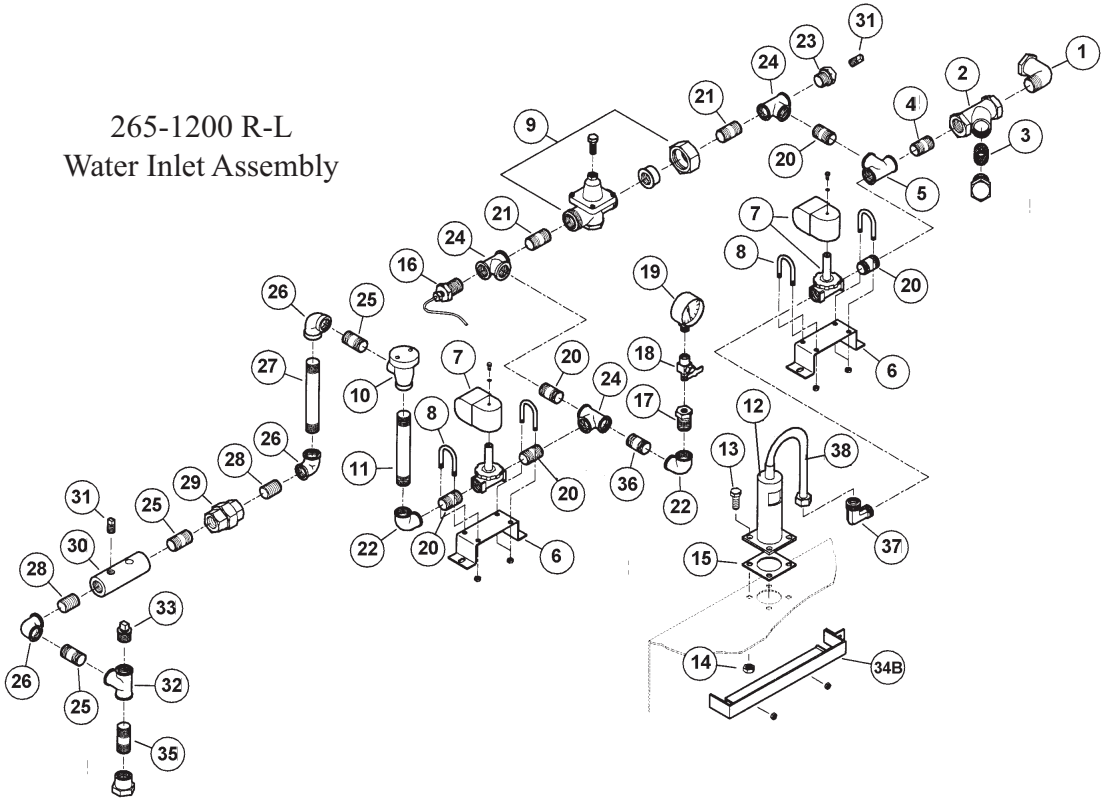
American Dish Service

Ref. No.	Part No.	No. Req.	Description
N/S	291-5102	1	Ground Lug
N/S	289-0001	1	Nameplate, ADS
N/S	289-6617	1	Gasket Material, Control Box (78")
N/S	289-9222	1	Decal, NSF (244 Racks)
N/S	289-9301	1	Wall Chart, Cleaning Instructions, ADS
N/S	291-5110	1	Wire Harness, 3 Phase, ADC-66
N/S	291-9108	4	Shield, Contactor Overload (Anti-Tamper)
N/S	091-4152	1	Bell Box
N/S	091-4004	1	Bell Box Cover
N/S	286-6181	1	Bracket, Conduit (Back of Machine)
N/S	289-9201	1	Decal, Label Set (Blue & Gray)
N/S	289-9202	1	Decal, Label Set (Yellow & Black for Inside Control Box)
N/S	289-9206	1	Decal, Temperature Gauge, Final Rinse, 180°
N/S	289-9226	1	Decal, Wiring Diagram
N/S	291-3016	Opt.	Counter, Rack Timer
N/S	286-6219	Opt.	Bracket, Rack Timer Counter
N/S	288-1044	Opt.	Kit, Table Limit Switch
N/S	288-1051	Opt.	Kit, Rack Timer
N/S	291-3015	Opt.	Switch Only, Table Limit
N/S	299-1010	Rep.	Cover, Temperature Gauge (Screw-On)
N/S	291-5111	Rep.	Heater Wiring Harness Kit, ADC-66

265-1100 L-R Water Inlet
Assembly ADC-66
265-1200 R-L Water Inlet

American Dish Service

Assembly ADC-66



265-1100 L-R Water Inlet
 Assembly ADC-66
 265-1200 R-L Water Inlet
 Assembly ADC-66

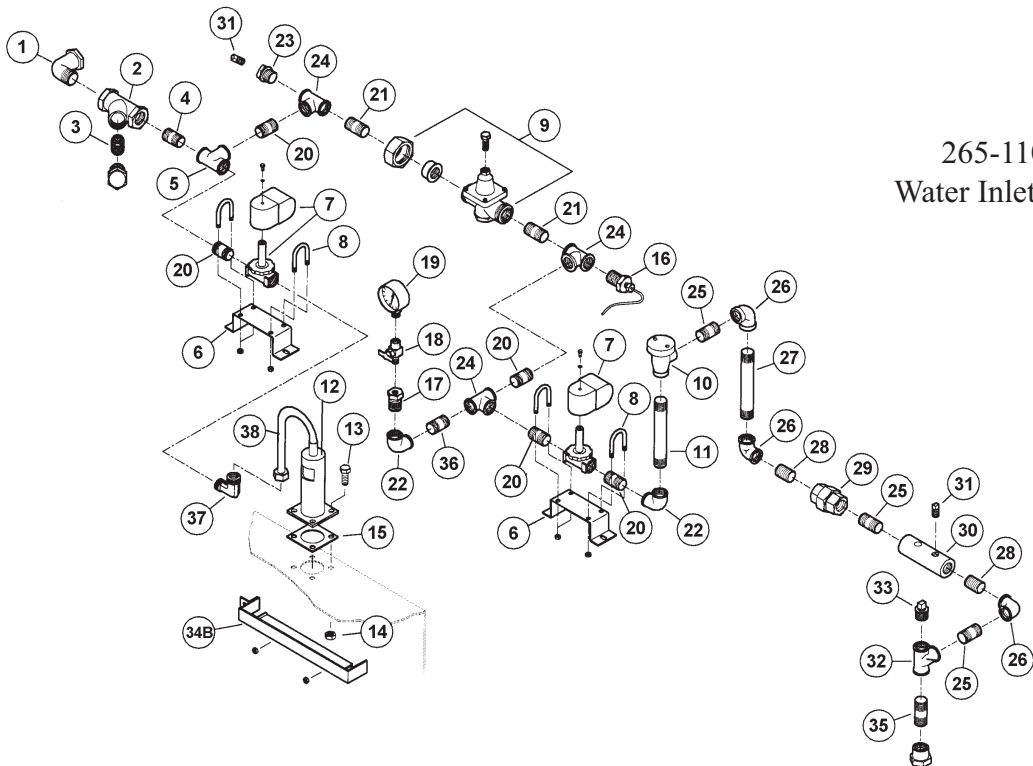
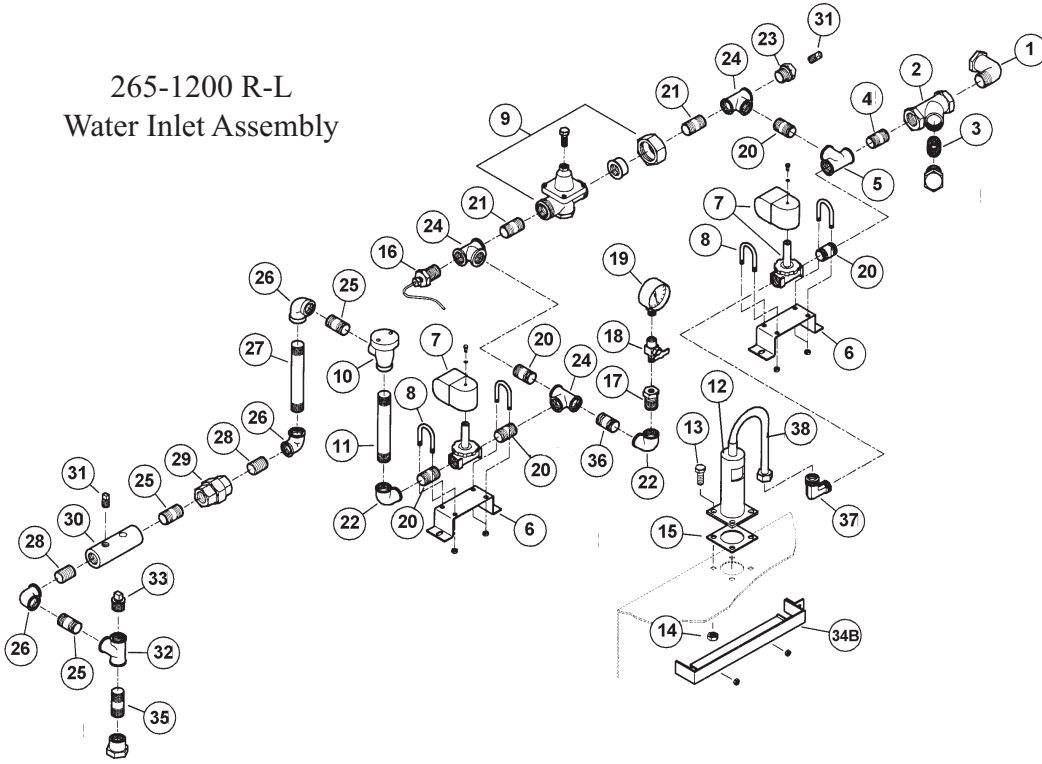
American Dish Service

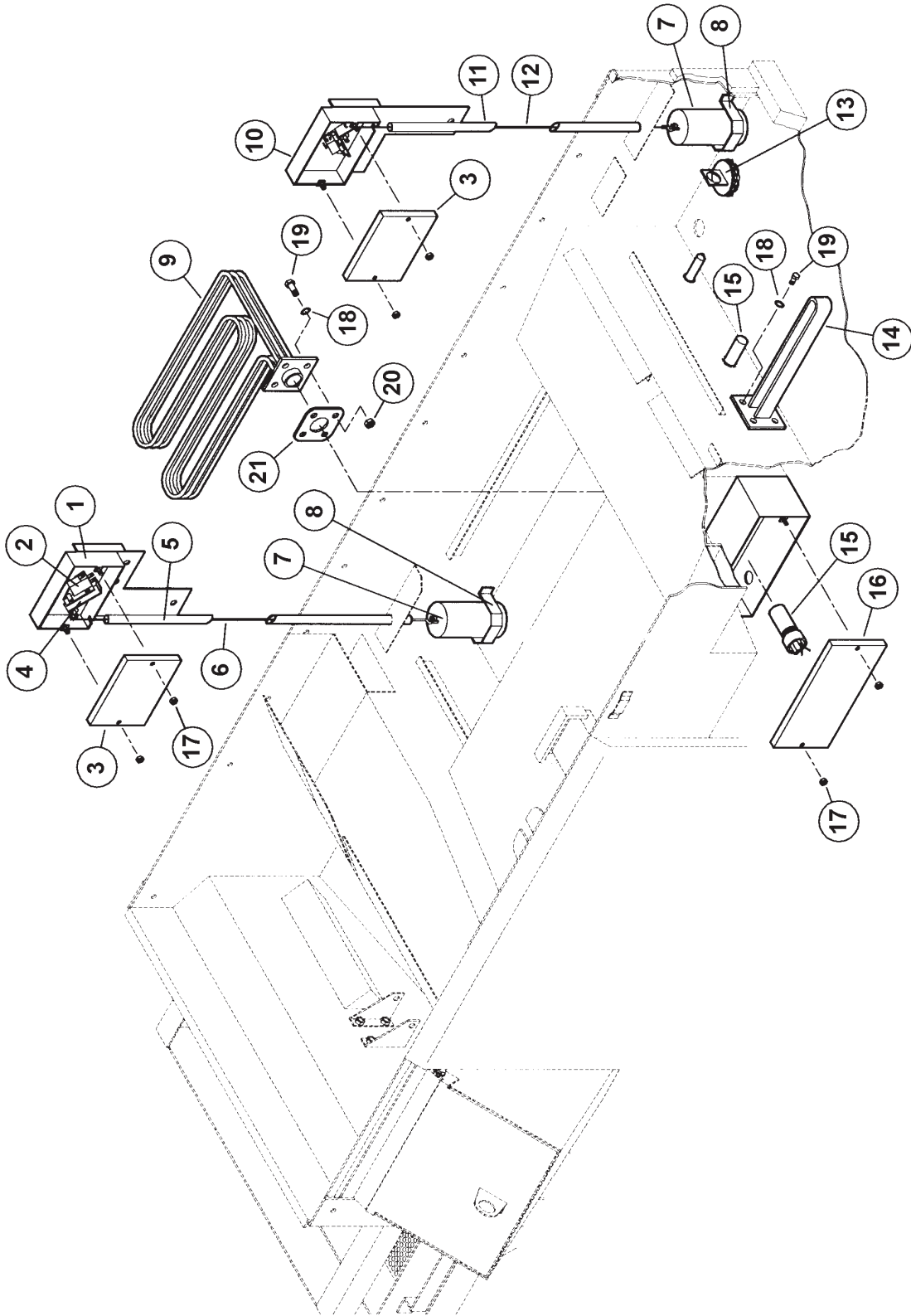
Ref. No.	Part No.	No. Req.	Description
1	092-1074	1	Fitting, 3/4" Street Elbow, 90°
2	092-9006	1	Y-Line Strainer, 3/4"
3	092-9008	Rep.	Screen, Line Strainer, 3/4" (Repair Part)
4	092-1073	1	Nipple, 3/4" Close, Brass
5	092-1107	1	Fitting, Tee, 3/4" x 1/2" x 1/2", Brass
6	286-6191	2	Bracket, Plumbing
7	092-5015	2	Valve, Water Solenoid
8	098-9027	4	U-Bolt, 1/4-20, SS
9	292-5001	1	Pressure Regulator, 1/2"
10	092-5045	1	Vacuum Breaker, 1/2"
11	292-3007	1	Nipple, 1/2" x 6", Brass
12	285-6219	1	Air Gap Weldment
13	098-1423	4	Bolt, 1/4-20x 1/2", HH, SS
14	098-2507	4	Locknut, 1/4-20, SS
15	389-6603	1	Gasket, Air Gap
16	299-1004	1	Temperature Gauge, Final Rinse
17	292-1005	1	Reducer Bushing, 1/2" MPT x 1/4" FPT, Brass
18	292-5002	1	Service Cock
19	299-1003	1	Pressure Gauge
20	292-3002	5	Nipple, 1/2" x 1 1/2" Lg, Brass
21	292-3004	2	Nipple, 1/2" x 2" Lg, Brass
22	292-1014	2	Fitting, 1/2" Elbow, 90°, Brass
23	292-1007	1	Reducer Bushing, 1/2" MPT x 1/8" FPT Brass
24	292-1001	3	Fitting, Tee, 1/2" FPT x 1/2" FPT x 1/2" FPT, Brass
25	292-3001	3	Nipple, 1/2" x 1 1/2" Lg, SS
26	292-1003	3	Fitting, Elbow, 1/2" FPT, SS
27	292-3008	1	Nipple, 1/2" x 6" Lg, SS
28	292-3003	2	Nipple, 1/2" x Close, SS
29	292-1004	1	Union, 1/2", SS
30	284-6148	1	Mixing Chamber, SS
N/S	284-6147	Opt.	Mixing Chamber, Polymer
31	292-1008	2	Pipe Plug, 1/8" MPT, SS
32	292-1002	1	Fitting, Tee, 1/2" FPT x 1/2" FPT, 1/2" FPT, SS
33	292-1012	1	Pipe Plug, 1/2" MPT, SS
34A	285-6147	1	Inlet Water Duct Weldment, L-R
34B	285-6127	1	Inlet Water Duct Weldment, R-L
35	292-3010	1	Nipple, 1/2" x 3" Lg, SS
36	392-3001	1	Nipple, 1/2" x 4 1/2" Lg, Brass
37	092-1068	1	Fitting, 1/2" Comp x 1/2" MPT, 90° Elbow
38	292-3013	1	Fresh Water Supply Tube, 1/2" OD x 14 1/2" Lg, SS

265-1100 L-R Water Inlet
Assembly ADC-66
265-1200 R-L Water Inlet

American Dish Service

Assembly ADC-66

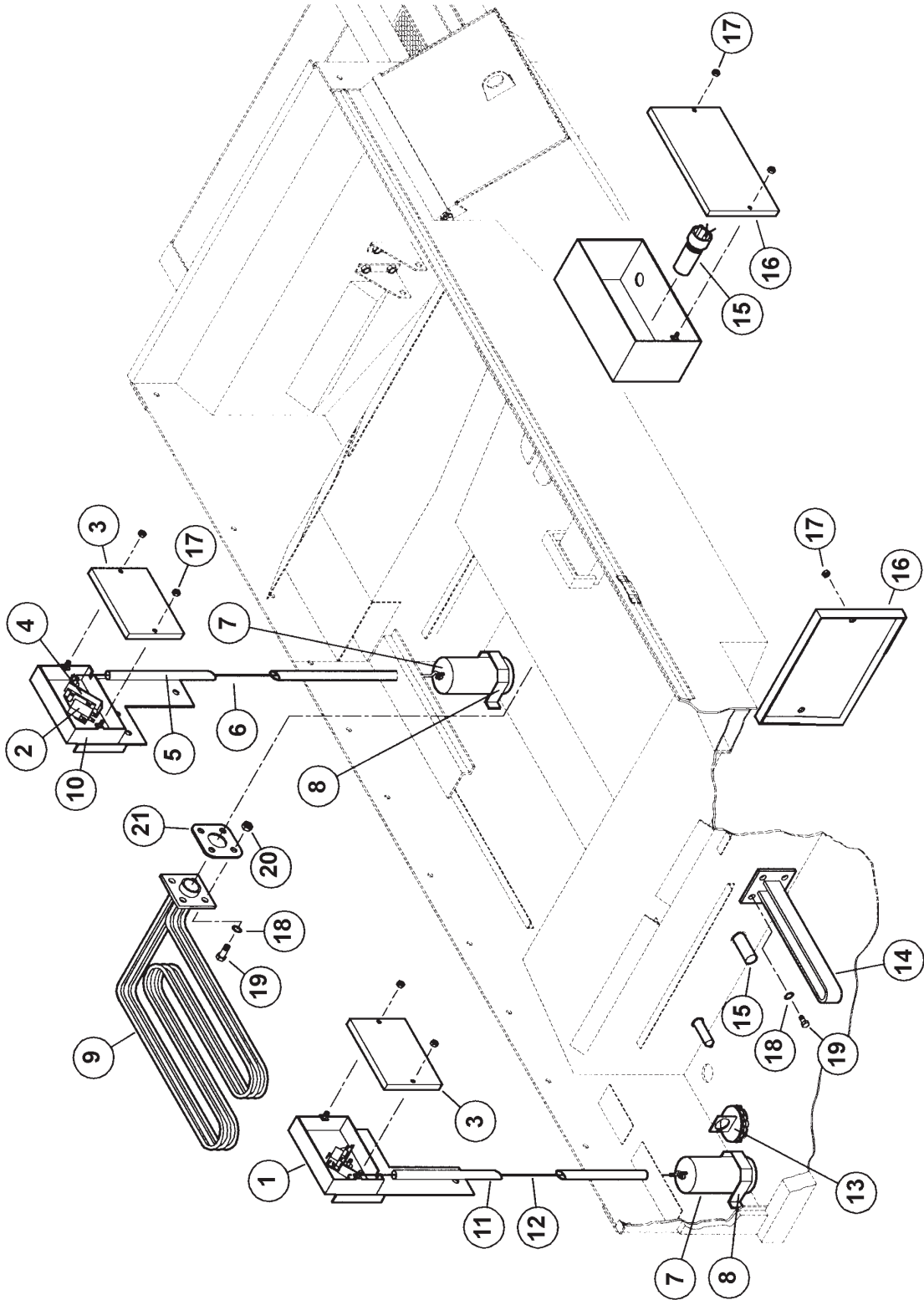




268-1200 L-R Heater & Water Level Control ADC-66

American Dish Service

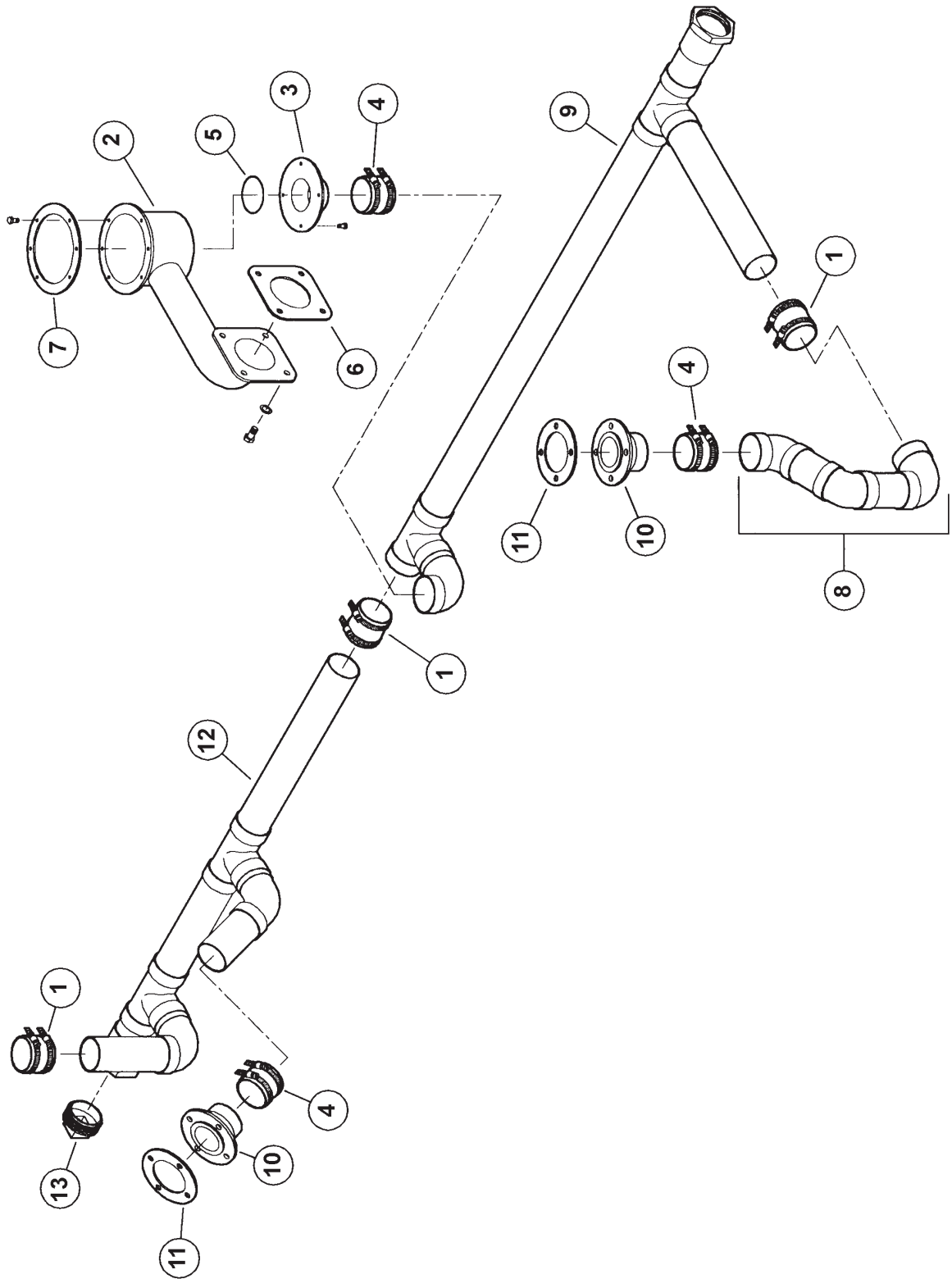
Ref. No.	Part No.	No. Req.	Description
1	285-6177	1	Float Box Weldment, LH
2	291-3014	2	Float Switch w/Holder and Button
2A	291-3013	Rep.	Float Switch Only
2B	291-9109	Rep.	Float Switch Holder
2C	291-9110	Rep.	Button, Float Switch Holder
3	286-6246	2	Float Box Cover
4	285-6179	2	Float Switch Flipper Weldment
5	285-6180	1	Float Rod Tube Weldment, Wash, L-R
6	286-6248	1	Float Rod, Wash
7	285-6176	2	Float Weldment
8	286-6199	2	Bracket, Float Retainer
9	291-9007	1	Heater, Wash, 18 KW
10	285-6178	1	Float Box Weldment, RH
11	285-6181	1	Float Rod Tube Weldment, Rinse, L-R
12	286-6249	1	Float Rod, Rinse
13	285-6162	1	Filter Weldment, Pumped Rinse Pump
14	291-9003	1	Heater, Rinse, 2.25 KW, 3 Phase
15	291-3012	2	Thermostat
16	286-6175	2	Heater Box Cover
17	098-2201	8	Locknut, 8-32, SS
18	098-2510	16	Washer, 5/16", SS/Neobond
19	098-1516	8	Bolt, 5/16-18 x 1", HH, SS
20	098-2501	8	Locknut, 5/16-18, SS
21	289-6613	2	Gasket, Heater
N/S	286-6231	2	Flange, Heater Sandwich (1 1/2" Hole)
N/S	286-6241	4	Washer, Float Switch Rod, 3/4" OD x 1/8" ID, SS



268-1300 R-L
 Heater & Water Level Control
 ADC-66

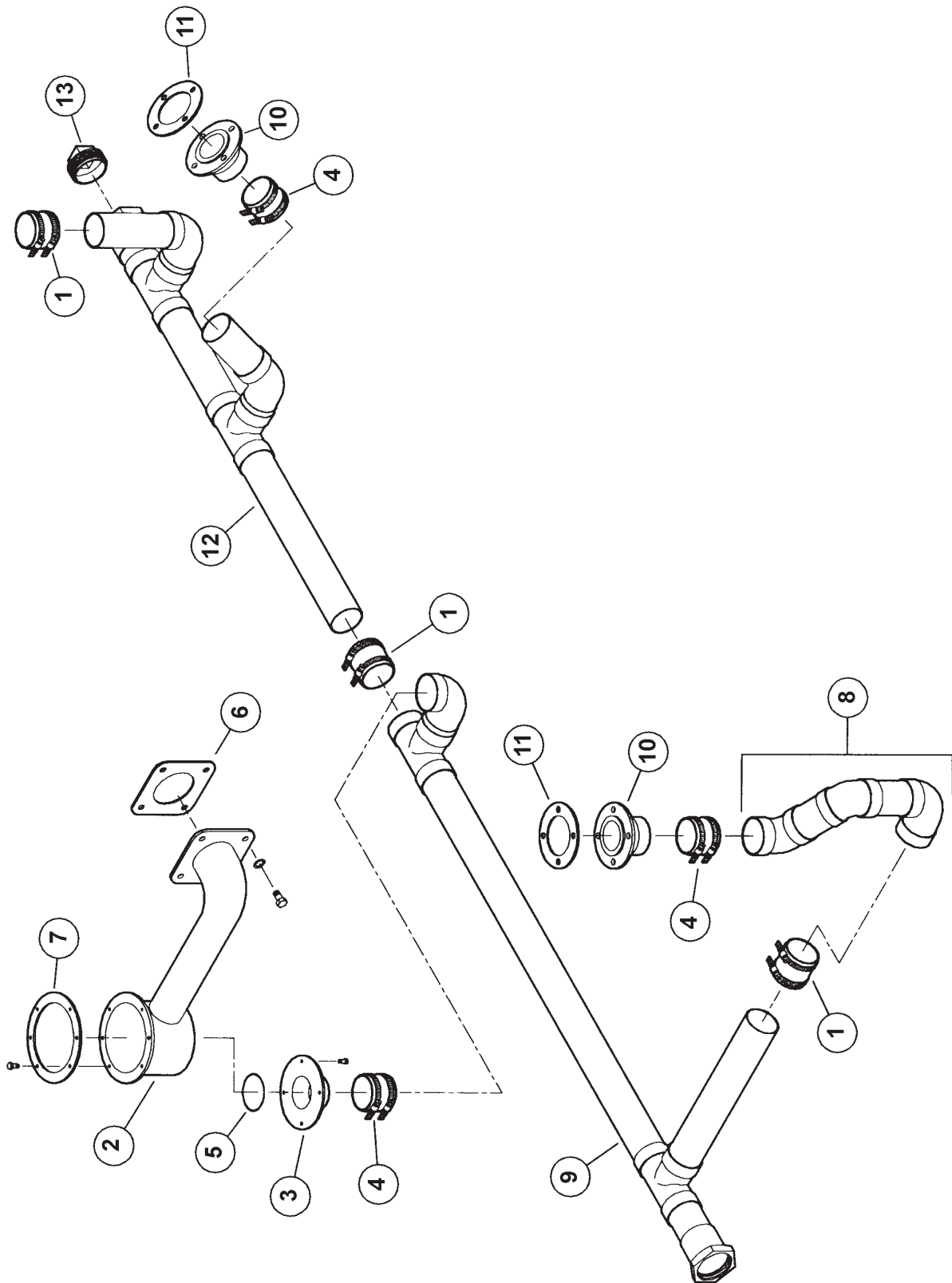
American Dish Service

Ref. No.	Part No.	No. Req.	Description
1	285-6177	1	Float Box Weldment, LH
2	291-3014	2	Float Switch w/Holder and Button
2A	291-3013	Rep.	Float Switch Only
2B	291-9109	Rep.	Float Switch Holder
2C	291-9110	Rep.	Button, Float Switch Holder
3	286-6246	2	Float Box Cover
4	285-6179	2	Float Switch Flipper Weldment
5	285-6148	1	Float Rod Tube Weldment, Wash, R-L
6	286-6248	1	Float Rod, Wash
7	285-6176	2	Float Weldment
8	286-6199	2	Bracket, Float Retainer
9	291-9007	1	Heater, Wash, 18 KW
10	285-6178	1	Float Box Weldment, RH
11	285-6149	1	Float Rod Tube Weldment, Rinse, R-L
12	286-6249	1	Float Rod, Rinse
13	285-6162	1	Filter Weldment, Pumped Rinse Pump
14	291-9003	1	Heater, Rinse, 2.25 KW, 3 Phase
15	291-3012	2	Thermostat
16	286-6175	2	Heater Box Cover
17	098-2201	8	Locknut, 8-32, SS
18	098-2510	16	Washer, 5/16", SS/Neobond
19	098-1516	8	Bolt, 5/16-18 x 1", HH, SS
20	098-2501	8	Locknut, 5/16-18, SS
21	289-6613	2	Gasket, Heater
N/S	286-6231	2	Flange, Heater Sandwich (1 1/2" Hole)
N/S	286-6241	4	Washer, Float Switch Rod, 3/4" OD x 1/8" ID, SS



266-0800 R-L
Drain System Assembly
ADC-66

American Dish Service



American Dish Service

*Manufacturer of low and high temperature
Commercial Dishwashers and Glasswashers*

900 Blake Street
Edwardsville, Kansas 66111
Ph:(913) 422-3700
Fax:(913) 422-6630