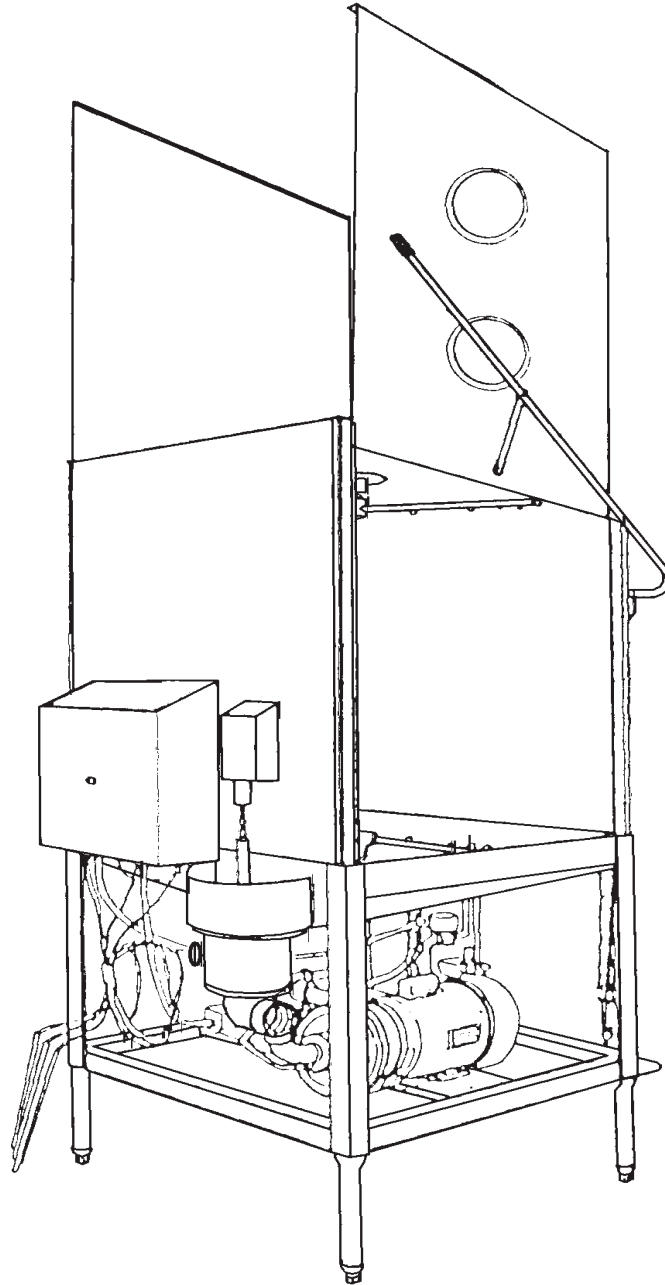


EFFECTIVE: MAY, 2014

American Dish Service

ADS LOW TEMPERATURE DISHWASHER
MODEL: AF-B A-B AH-B



PARTS MANUAL

900 Blake Street
Edwardsville, Kansas 66111
(913)422-3700

The **American Dish Service** part numbers contained in this publication are replacement parts for equipment listed with governmental and regulatory agencies and are specified to maintain the regulatory mark and certification. These parts must only be replaced by those who are trained in the operation and service of commercial dishmachines. Aftermarket parts or modified parts are not compliant or listed with the standards of governmental and regulatory agencies; aftermarket parts are not authorized by ADS for replacement repairs. ADS will not be responsible for any liability if parts are used in the repair of the machine that are not ADS-specified, by those installing non-certified replacement parts or attempts to change the machine's cycle or operation other than as designed and certified. **Read the warnings and cautions provided below before working on or replacing parts on any ADS equipment.**



DANGER

The installation of electrical parts contained in this publication require the following precautions:

The electrical power supplied to this machine is an imminent hazard to life that could result in severe bodily injury or death if not properly installed or connected correctly. When working in the control box or on electrical parts, always disconnect power and perform the appropriate lock-out/tag-out procedure before servicing. Replace the cover to the control box and other protective covers when finished with servicing this equipment before returning the machine to normal operation.

LOOSE ELECTRICAL CONNECTIONS: Damage to the equipment can occur if the following precautions are not observed. Before connecting power to the machine, check all electrical terminals in the control box. Screws can loosen in transit. Loose connections on high amp load terminals such as the pump motor and tank heaters will cause wire burning and component damage during operation and will not be covered under ADS warranty.

"CLEAN CIRCUIT" means the electrical circuit breaker for the dishmachine supplies no other outlets, machines, or lights. GFCI outlets are not recommended for commercial dishmachines; ADS recommends that a single-rack machine be installed with the wire connection (hard-wired) directly from the circuit breaker. All high temp and conveyor equipment must be hard wired. If a plug and socket are used to provide electrical power to a dishmachine in a commercial kitchen, then according to electrical code it must be a GFCI, but not all GFCIs are the same. They must be rated for the Amp draw for the designed circuit.

For Reference: The NEC Article 210.8 regarding GFCI Protection (B) Other Than Dwelling Units (2) Commercial and Institutional Kitchens. All 15 and 20A, 125V receptacles installed in kitchens, even those that do not supply the countertop surface, must be GFCI protected.



WARNING

The chemical feeders and controls contained in this publication require the following precautions:

READ Manufacturer's Manual before Using this Product. For your safety read and observe all warnings in these instructions. While performing installation of parts described in this booklet, wear approved Personal Protective Equipment, including chemically resistant gloves and Safety Eye-Wear.

CHEMICALS: There are potentially hazardous situations when working with industrial cleaning chemicals for dishmachines. See chemical manufacturer's safe practices and SDS or MSDS sheets for handling and installing chemicals and supply containers.

Chemicals can damage or corrode plumbing and stainless parts of the dishmachine. Do not run chemical lines over controls or plumbing. Always secure chemical lines and check regularly for leaks. **If not properly handled, chemicals can cause serious bodily injury.** In the event of chemical contact to skin or eyes; wash immediately with fresh water and seek medical attention.

DE-LIMING THE MACHINE: Because of potential hazards resulting from the combination of chlorine with acid solution, only authorized trained individuals must be allowed to de-lime a commercial dishmachine.

CONTAINERS: The ADS chemical delivery system is designed for 5 gallon pails of industrial low-energy chemical products. Always use chemical resistant safety gloves and safety goggles (indirect-vented or non-vented) when changing chemical

CONTAINERS: The ADS chemical delivery system is designed for 5 gallon pails of industrial low-energy chemical products. Always use chemical resistant safety gloves and safety goggles (indirect-vented or non-vented) when changing chemical buckets. Immediately report spills and refer to your chemical suppliers SDS safety data sheet or MSDS material safety data sheet for information if chemical comes in contact with skin or eyes.

Any modifications to the chemical delivery system for smaller containers must include Closed Loop Chemical Containers (spill proof bottles) in a secured racking system. It is the responsibility of the user of the machine to purchase chemicals in spill proof containers. **FAILURE CAN RESULT IN SERIOUS INJURY.** Never place chemicals in open containers or containers that can be easily tipped over when moving or changing product. Failure to do so will void your ADS warranty.

Chemical supplies must be kept in closed delivery containers to avoid spills or contamination. Do not place chemical solutions in open containers or containers that can be easily tipped over in moving or changing.

Do not open the doors while the machine is in operation. Doing so could result in serious bodily injury from spraying hot water and chemicals.



CAUTION

The door lever arm parts in this publication are installed under spring tension and caution is needed whenever parts are changed. Wear safety glasses when working on the doors and lever. Care should be taken when moving, installing, or replacing any door lever arm parts. Use the ADS lever arm tool to unload the door spring during replacement or adjustment. The spring tension suddenly released can result in pinch or blunt trauma, and puncture wounds. If a wound occurs from the release of spring tension, wash the wound area immediately because of the soils that can accumulate on the metal parts and seek medical attention.

NOTICE

BEFORE YOU BEGIN: American Dish Service provides this information as a service to our customers. **Keep all instructions for future reference.** ADS reserves the right to alter or update this information at any time. Should you desire to make sure that you have the most up-to-date information, we would direct you to the appropriate document on our web site: www.americandish.com. **It is your obligation as the customer to ensure that the replacement parts for the machine are installed safely and properly, and when completed, the machine is left in proper and safe working order.** Electrical, Plumbing, and Chemical hookup must be performed by a qualified professional who will ensure that the equipment is installed in accordance with all applicable Codes, Ordinances, and Safety requirements. Failure to follow the installation instructions will void the warranty. **ADS assumes no liability or control over the installation of the equipment or replacement parts. Product failure due to improper installation is not covered under the ADS Warranty.**

Plumbing parts:

When working on the water inlet manifold, first relieve the water line pressure by turning off the water supply to the machine then energize the machine's fill valve. By doing this the manifold will empty of water. Turn off the electrical power and lock out/tag out the machine. It will then be safe to open the plumbing inlet manifold.

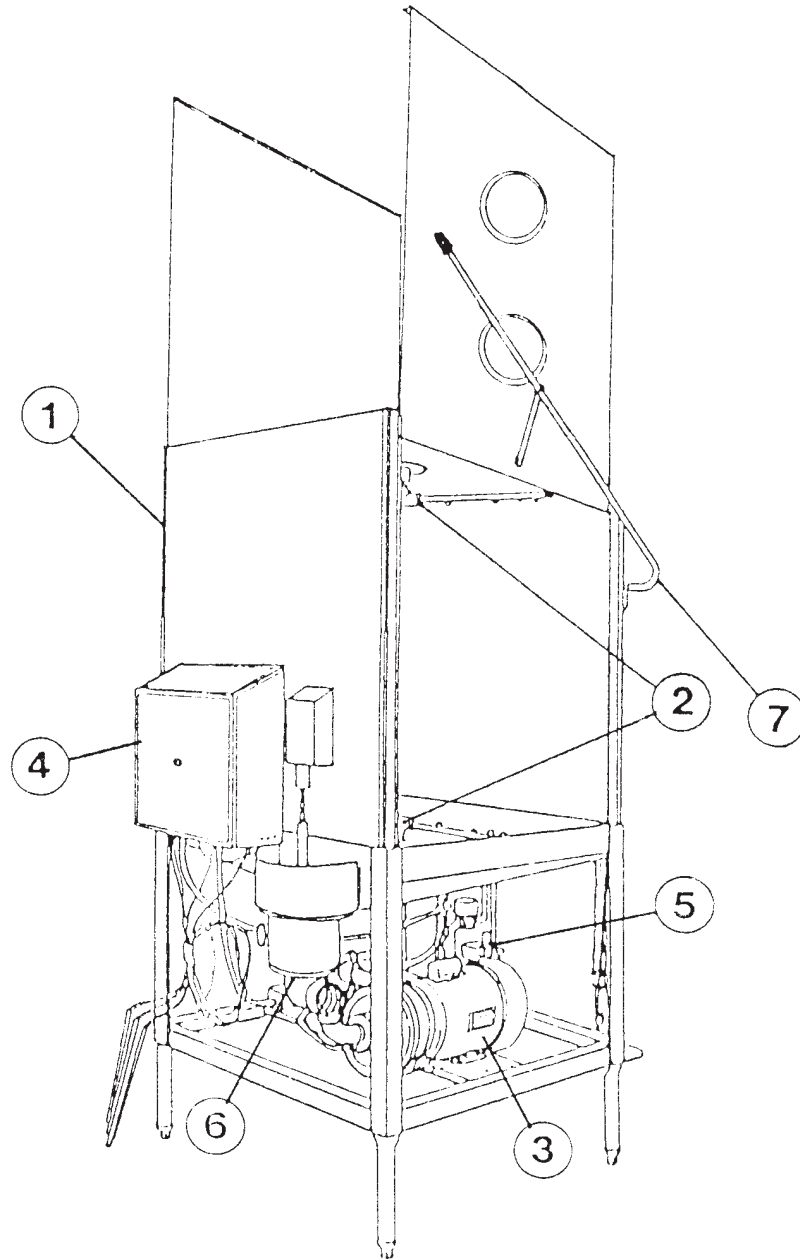
TANKLESS WATER HEATERS have shown to be problematic for commercial dishmachines. It has been the experience of ADS that tankless supply systems require multiple units plumbed in sequence with a recirculation loop to achieve proper pressure and temperature.

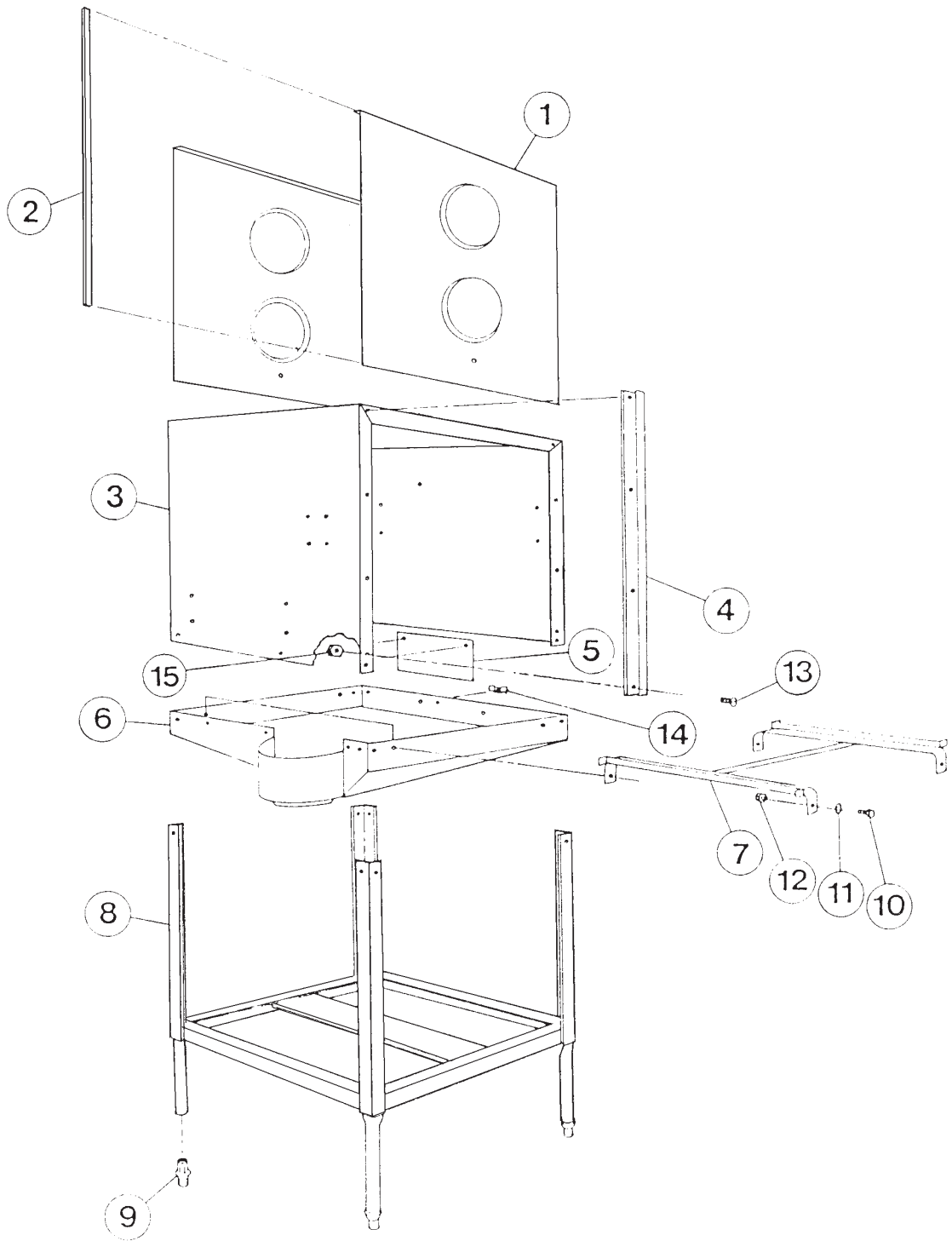
Check with the tankless water heater manufacturer, they may recommend a storage tank to guarantee proper flow and line pressure to the machine. **Failure to provide adequate water quantity, pressure and temperature to the machine will cause the machine to function improperly and is not the responsibility of ADS. Improperly installing ADS equipment or parts in this manner could void the warranty.** All costs associated with providing an adequate water supply to the machine is the sole responsibility of the user.

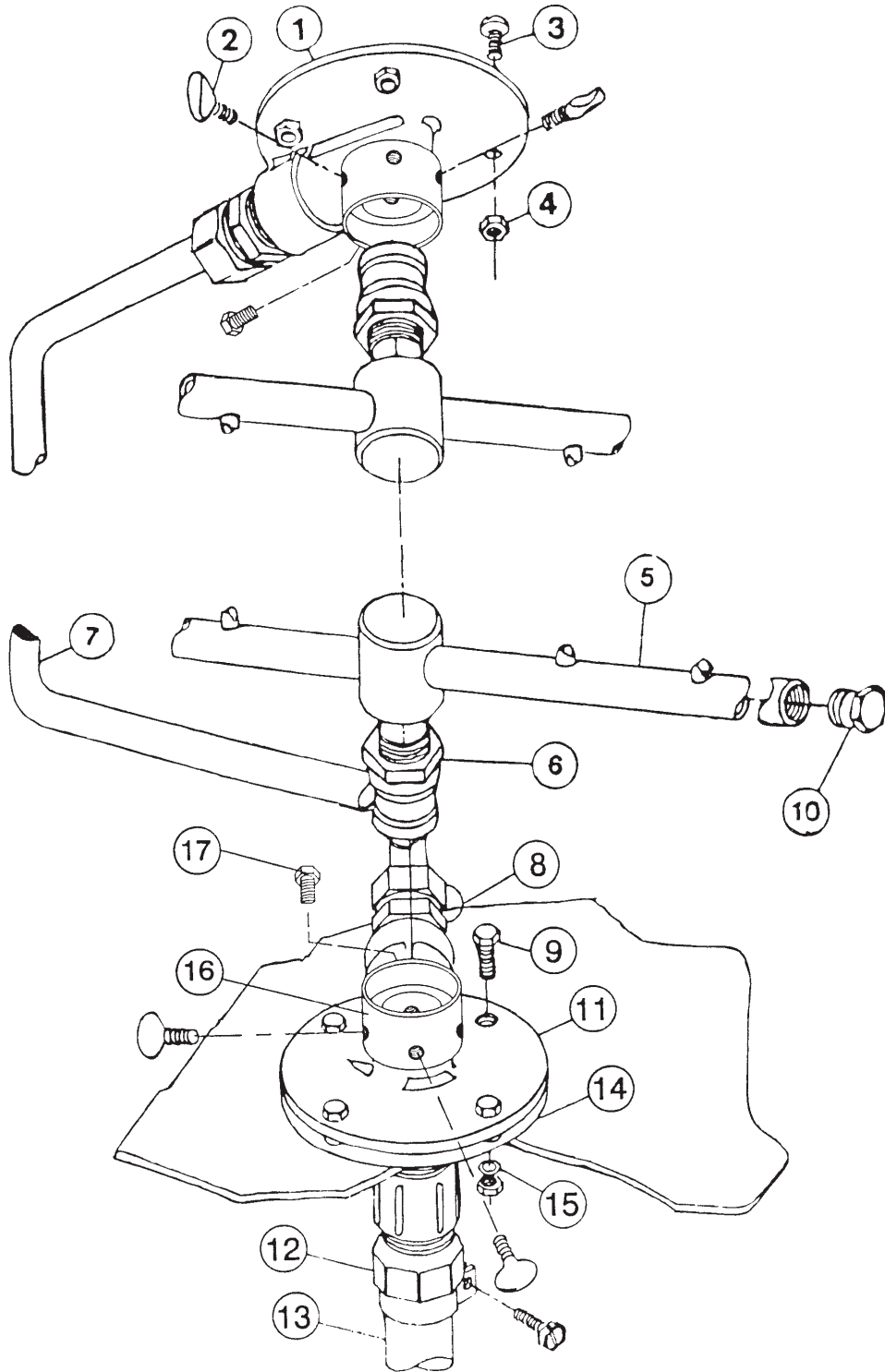
Drain replacement parts should not be reduced in size, all drain lines should remain the same size as it exits the dishmachine or larger. If you have questions, call 800-922-2178 or visit our website at www.AmericanDish.com

MODELS:
016-0090
AF-B

American Dish Service

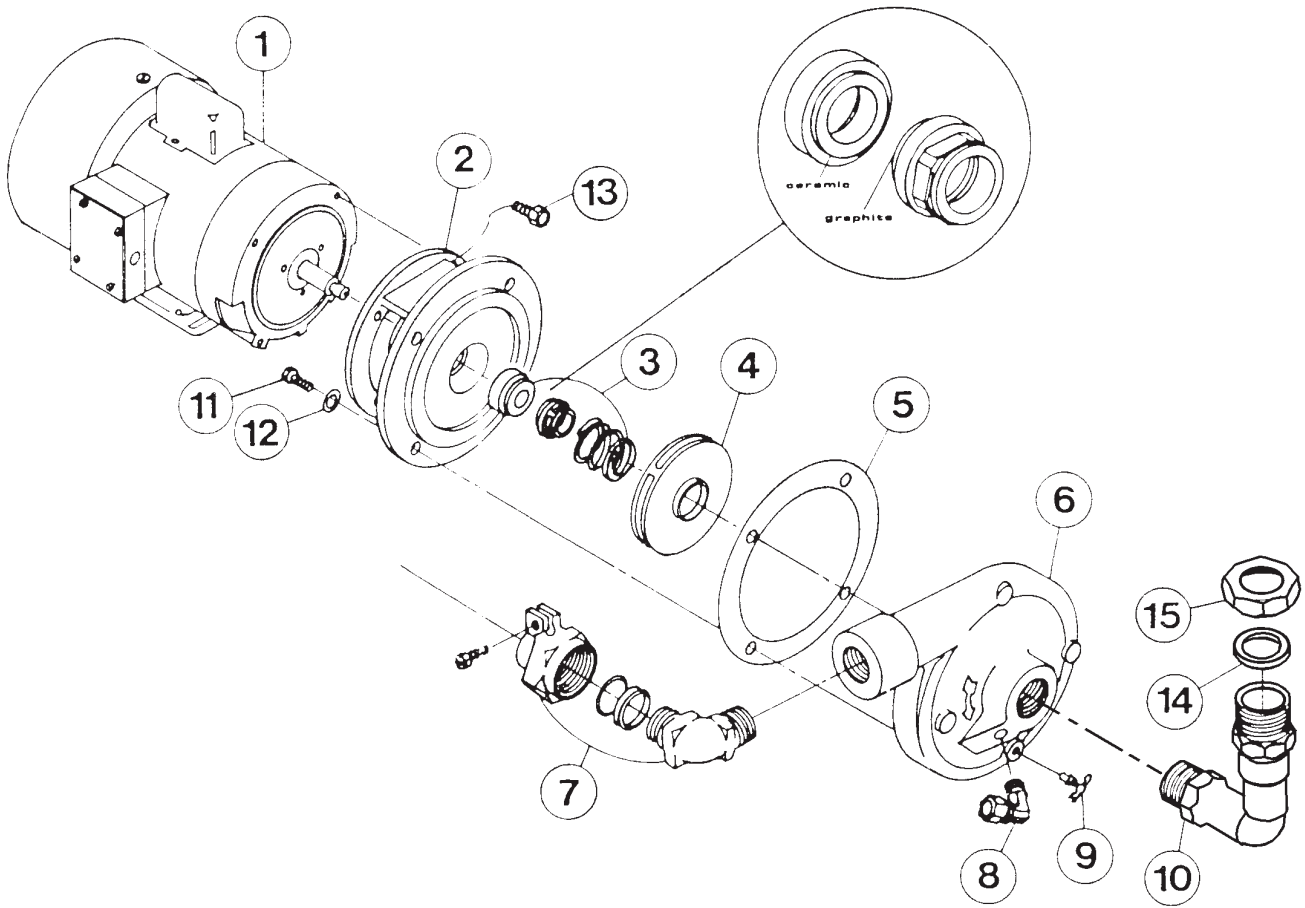


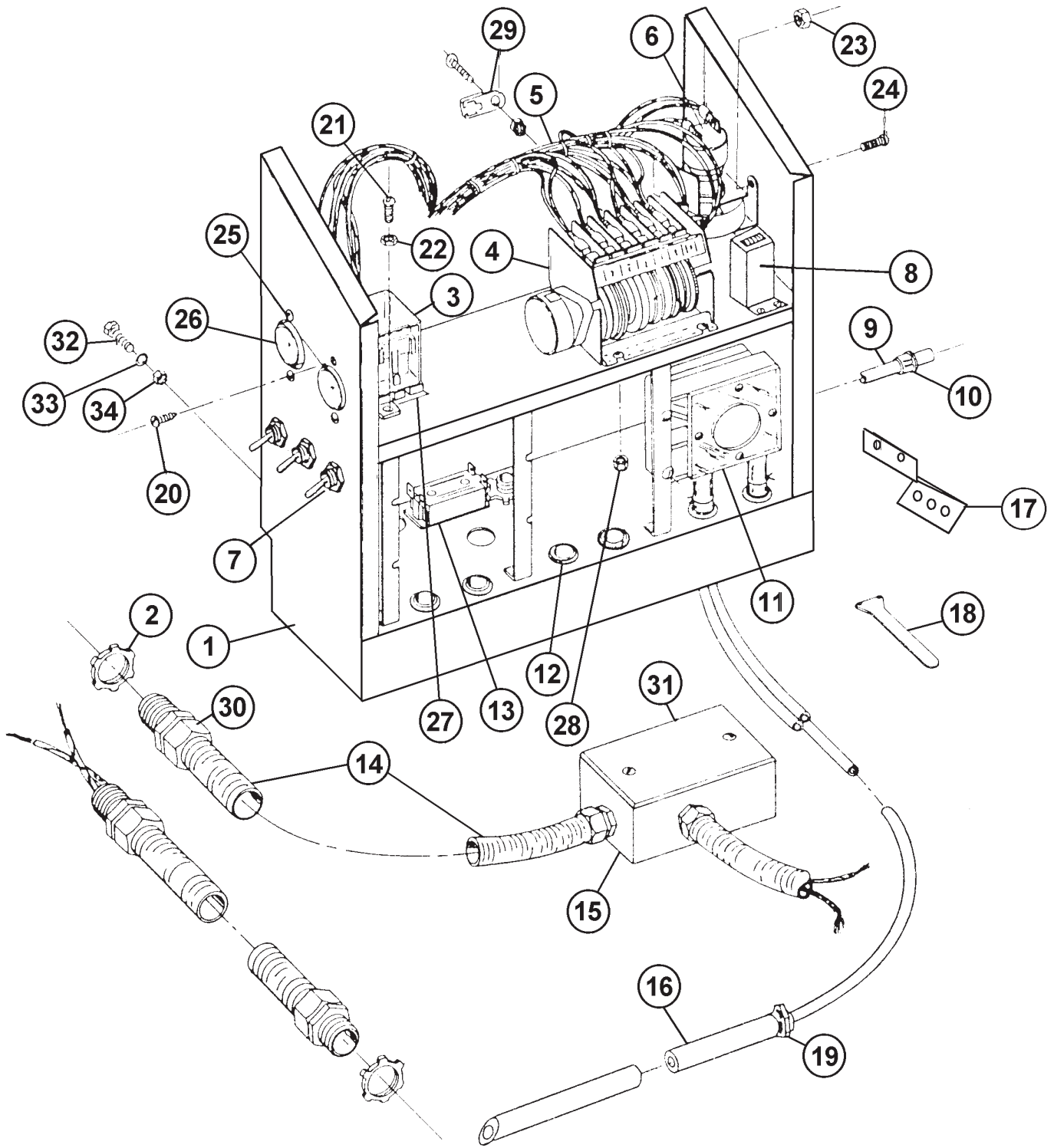




063-1300
Recirculating Pump Assembly
AF-B

American Dish Service



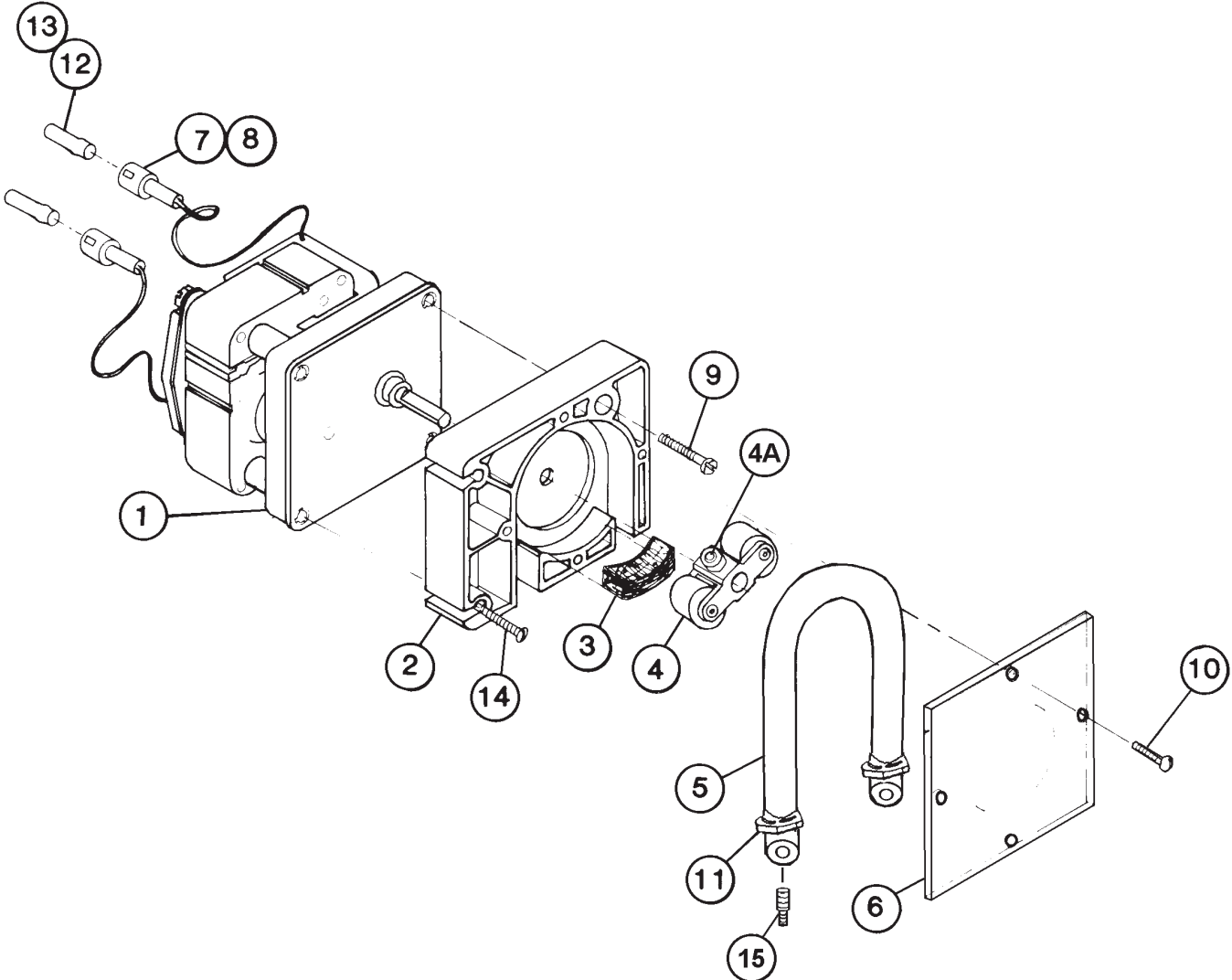


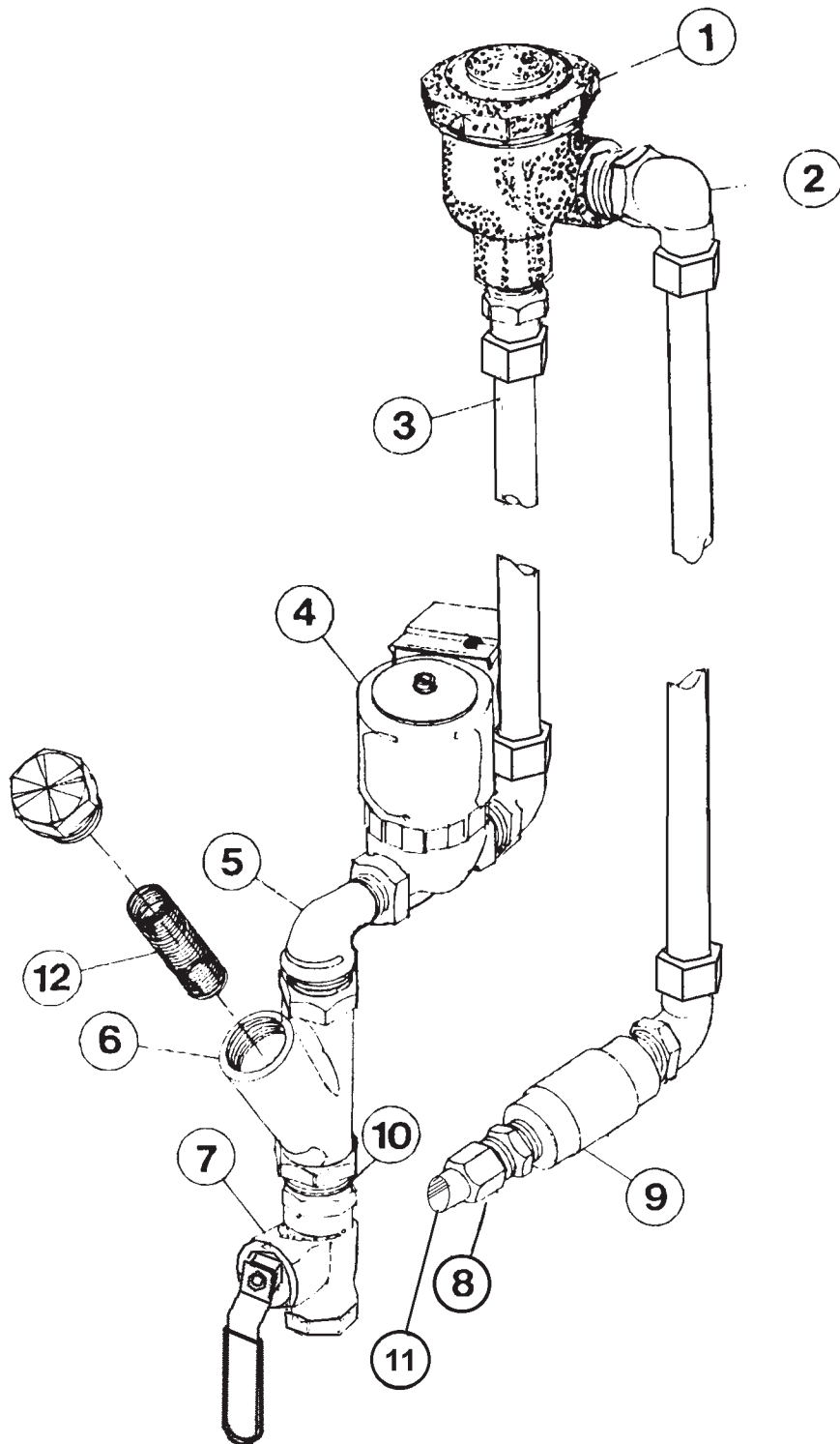
064-0200

Control System Assembly
AF-B

American Dish Service

Ref. No.	Part No.	No. Req.	Description
1	081-6402	1	Control Box Weldment
2	091-4144	2	Conduit Locknut, 1/2"
3	091-3003	1	Instant Start Relay (Not Included in Auto Start Machines)
4	091-3004	1	Timer, 90 Seconds
Opt.	091-3005		Timer, 120 Seconds
Opt.	091-3006		Timer, 150 Seconds
Opt.	091-3078		Timer, 150 Seconds, 8 Cam
5	091-5001	1	Wire Harness
6	091-3083	1	Contactor
7	091-3009	3	Prime Switch Momentary Toggle
8	091-3049	1	Counter, Electric
9	093-1046	1	Chemical Discharge Tube, Red (By the Foot)
9	093-1045	1	Chemical Discharge Tube, Green (By the Foot)
9	093-1044	1	Chemical Discharge Tube, Blue (By the Foot)
10	091-4001	6	Grommet, 1/4"
11	064-0001	3	Chemical Pump Assembly (Peristaltic)
12	091-4002	6	Grommet
13	091-3008	1	Switch, DPST (Master Switch)
14	091-5156	1	Conduit, Sealtite, 1/2" (By the Foot)
15	091-4003	1	Junction Box
16	083-6407	3	Tube Stiffener
17	086-6414	1	Chemical Discharge Bracket
18	099-1004	1	Timer Adjustment Key
19	098-1605	3	Tube Clamp
20	098-1102	4	Screw, RH, SS, 6-32 x 1/4"
21	098-1104	2	Screw, RH, SS, 6-32 x 1/2"
22	098-2101	2	Nut, 6-32, SS
23	098-2201	9	Locknut, 8-32, SS
24	098-1204	11	Screw, 8-32 x 1/2", RH, SS
25	091-3002	1	Push Button Switch, Red, Start
26	091-3001	1	Push Button Switch, Black, Fill
27	091-3011	1	Relay Socket, Instant start
28	098-2202	4	Nut, 8-32, SS
29	091-5007	3	Wiring Clamp (Hold Down)
30	091-4141	4	Fitting, Sealtite, 1/2"
31	091-4004	1	Junction Box Cover





065-1300

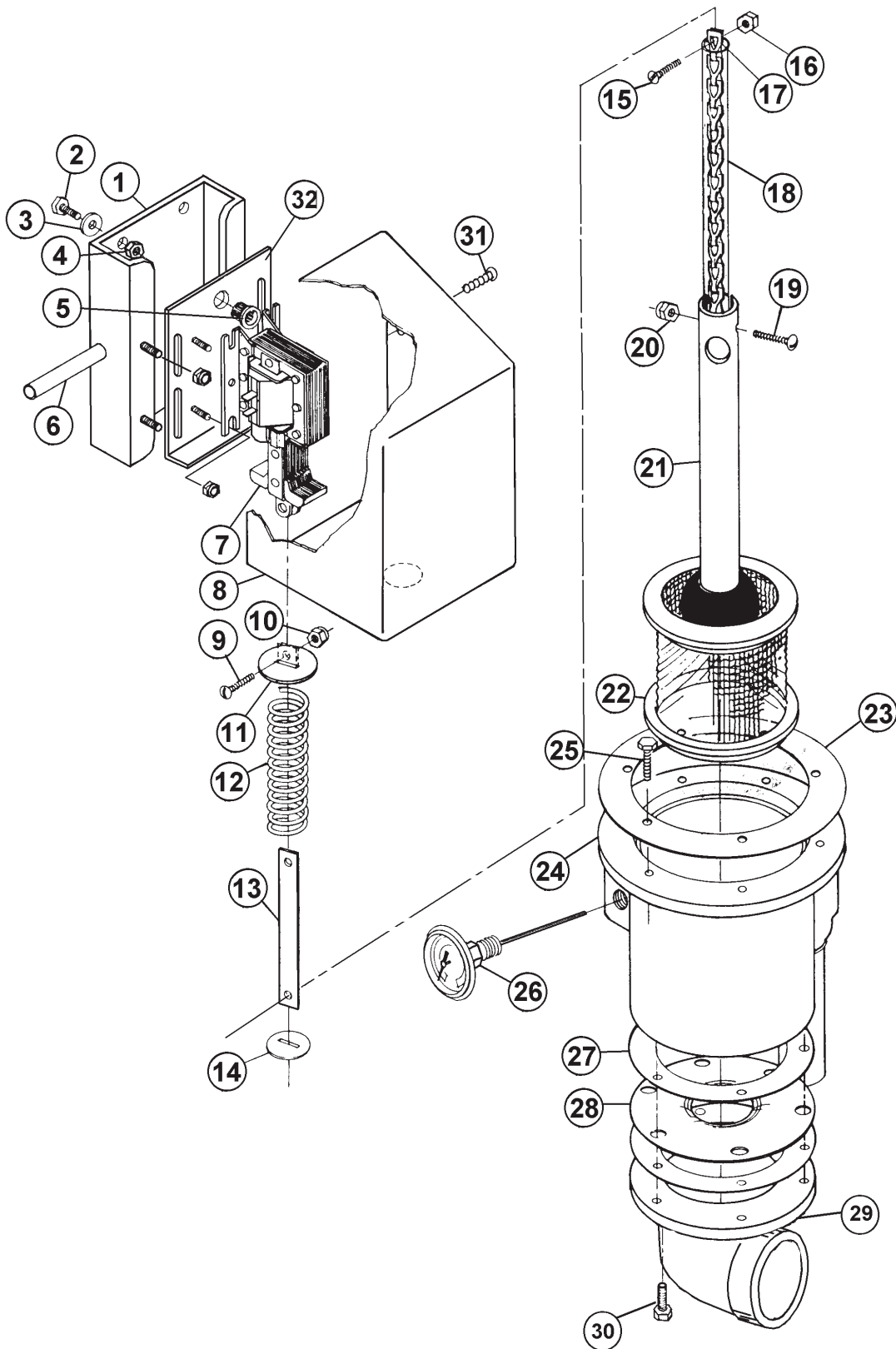
Fresh Water Plumbing Assembly
AF-B

American Dish Service

Ref. No.	Part No.	No. Req.	Description
1	092-5045	1	Vacuum Breaker Valve
N/S	092-5047	Rep.	Vacuum Breaker Repair Kit (Repair Part)
N/S	092-5049	Rep.	Vacuum Breaker Cap (Repair Part)
N/S	092-5051	Rep.	Vacuum Breaker, Bonnet and Stem
2	085-6512	1	Vacuum Breaker Outlet Pipe Assembly
3	085-6513	1	Vacuum Breaker Inlet Pipe Assembly
4	092-5015	1	Solenoid Valve
N/S	092-5025	Rep.	Solenoid Valve Body
N/S	092-5017	Rep.	Solenoid Valve Coil
N/S	092-5016	Rep.	Kit, Solenoid Valve
5	092-1006	1	½" Street Elbow, Brass
6	092-9001	1	Line Strainer, ½"
7	092-5054	1	Ball Valve
8	092-1007	1	Fitting, ½" Comp. X ½" Mpt
9	092-5027	1	Strataflow Checkvalve, ½"
10	092-1008	2	Nipple, Close, ½"
11	092-3001	1	Fresh Water Supply Tube (To Pump)
12	092-9002	Rep.	Screen, Line Strainer (Repair Part)
N/S	092-1100	Rep.	Elbow Fitting, 5/8" Comp x ½" MPT
N/S	094-1040	Rep.	Tubing, 5/8" OD (Sold by the Foot)
N/S	092-1058	Rep.	Fitting, 5/8" Comp x ½" MPT
			LOS ANGELES OPTION
N/S	092-1102	1	Fitting, 5/8" Comp. x 5/8" Comp. x 3/8" Comp. Tee
N/S	092-1104	1	Locknut, 3/8" Comp.
N/S	089-6304	1	Gasket, L.A. Plumbing
N/S	086-6825	1	Bracket, Spray deflector, L.A. Plumbing

066-0100
Drain System Assembly
AF-B

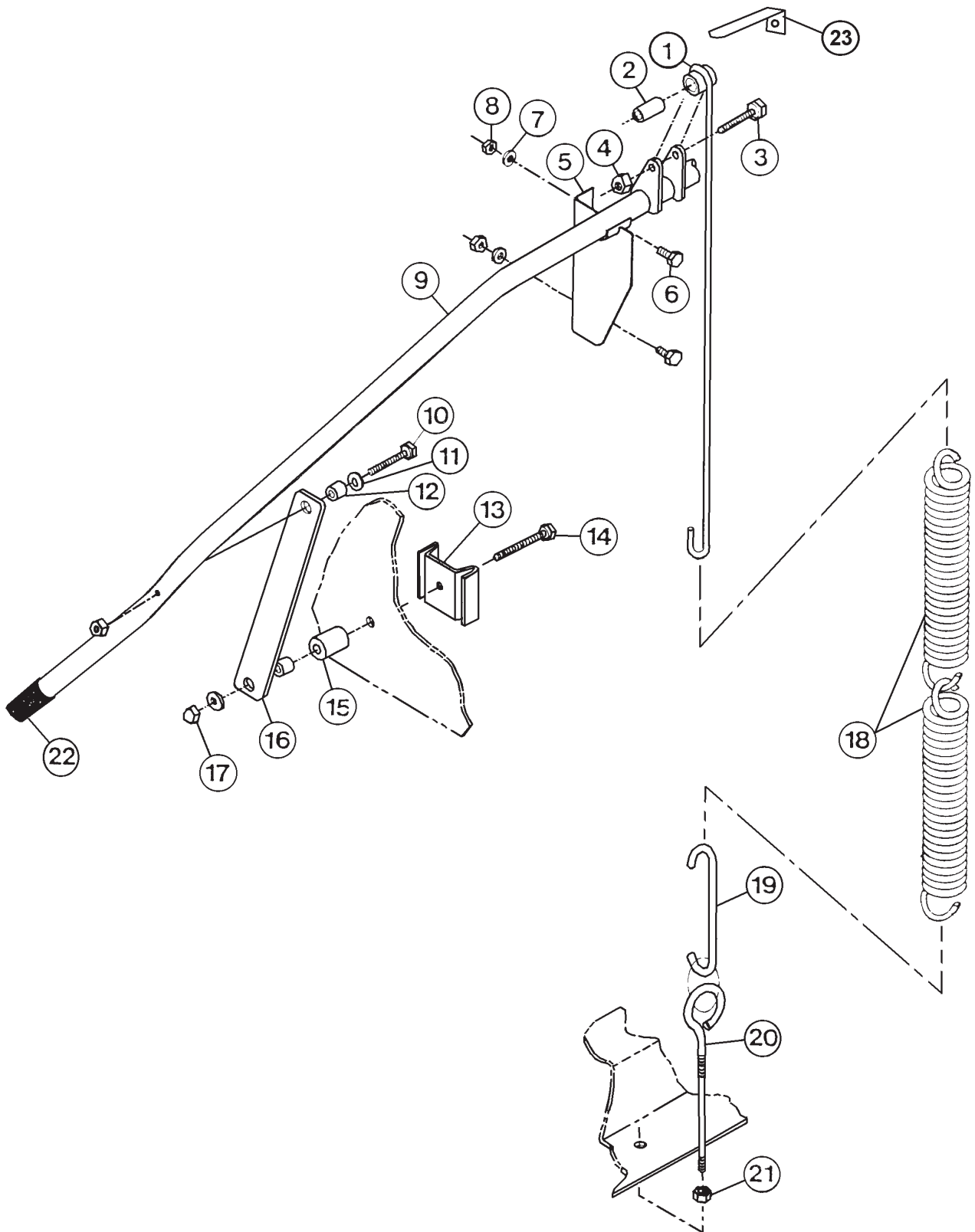
American Dish Service



066-0100
 Drain System Assembly
 AF-B

American Dish Service

Ref. No.	Part No.	No. Req.	Description
1	085-6620	1	Solenoid Base
2	098-1423	4	Bolt, 1/4-20 x 1/2", HH, SS
3	098-2404	10	Washer, 1/4", SS
4	098-2507	8	Locknut, 1/4-20, SS
5	091-4005	1	Grommet, Plastic
6	084-6601	1	Conduit, 2 1/2"
7	091-2001	1	Solenoid
8	085-6608	1	Solenoid Cover
9	098-1205	1	Screw, 8-32 x 5/8", RH, SS
10	098-2201	1	Locknut, 8-32, SS
11	086-6607	1	1 1/16" Slotted Washer
12	098-3001	1	Spring
13	086-6605	1	Link
14	086-6606	1	7/8" Slotted Washer
15	098-1205	1	Screw, 8-32 x 5/8", RH, SS
16	098-2201	1	Locknut, 8-32, SS
17	089-6604	1	Chain (Made From 098-9001)
18	084-6604	1	Chain Cover (Made From 093-1012)
19	098-1311	1	Screw, 10-32 x 1 3/8", RH, SS
20	098-2301	1	Locknut, 10-32, SS
21	081-6601	1	Drain Plug Assembly
N/S	084-6608	Rep.	Drain Tube (Repair Part)
N/S	083-6601	Rep.	Drain Ball, 1 1/2" (Repair Part)
22	085-6602	1	Screen Sump
23	089-6601	1	Sump Gasket
24	082-6601	1	Sump Assembly w/Tail Piece
25	098-1423	6	Bolt, 1/4-20 x 1/2", HH, SS
26	099-1001	1	Temperature Gauge
27	089-6602	2	Drain Elbow Gasket
28	086-6601	1	Drain Seat, 1 1/2"
29	082-6602	1	Drain Elbow, 1 1/2" FPT
30	098-1507	6	Bolt, 5/16-18 x 7/8", HH, SS
31	098-1413	2	Screw, 1/4-20 x 3/8", TH, SS
32	085-6622	1	Drain Solenoid Base, Front Plate
N/S	088-1057	Rep.	Drain Solenoid Base Kit (Conversion to SS Base)



067-0600

Door Actuator Assembly
AF-B

American Dish Service

Ref. No.	Part No.	No. Req.	Description
1	085-6714	2	Spring Extension
2	098-4002	2	Bushing, Bronze
3	098-1514	2	Bolt, 5/16 x 1 1/2", HH, SS
4	098-2505	2	Cap Nut, 5/16-18, HH, SS
5	085-6703	1	Arm Support Bracket, LH
N/S	085-6707	1	Arm Support Bracket, RH
6	098-1423	4	Bolt, 1/4-20 x 1/2", HH, SS
7	098-2404	4	Washer, 1/4", SS
8	098-2507	4	Locknut, 1/4-20, SS
9	085-6708	1	Door Operating Arm (Lever Arm)
10	098-1431	2	Bolt, 1/4-20 x 1 3/8", HH, SS
11	098-2404	6	Washer, 1/4", SS
12	084-6703	4	Bushing (Dowel 3/8")
13	086-6701	2	Door Stop
14	098-1432	2	Bolt, 1/4-20 x 1 3/4", HH, SS
15	084-6702	2	Spacer
16	086-6828	2	Door Link
17	098-2405	4	Cap Locknut, 1/4-20, SS
18	098-3003	2	Door Spring
19	086-6703	2	Spring Extension, Secondary
20	098-1581	2	Eye Bolt, 5/16-18 x 6"
21	098-2502	2	Nut, 5/16-18, HH, SS
22	099-1018	2	Lever Arm End Cap
23	086-6623	1	Lever Arm Cut-Off Bracket, "L"
N/S	098-2503	2	Washer, Copper, 5/16"

American Dish Service

*Manufacturer of low and high temperature
Commercial Dishwashers and Glasswashers*

900 Blake Street
Edwardsville, Kansas 66111
Ph:(913) 422-3700
Fax:(913) 422-6630