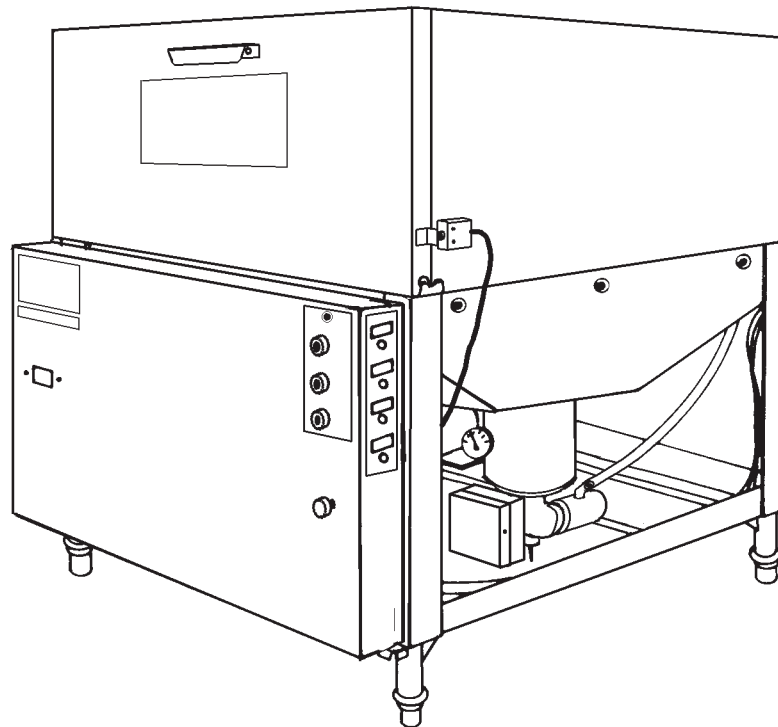


EFFECTIVE: AUGUST, 2012

American Dish Service

ADS UNDERCOUNTER DISHWASHER
MODELS: ETAF / ETAF-3/ ETAF-M



PARTS MANUAL

900 Blake Street
Edwardsville, Kansas 66111
(913)422-3700

The **American Dish Service** part numbers contained in this publication are replacement parts for equipment listed with governmental and regulatory agencies and are specified to maintain the regulatory mark and certification. These parts must only be replaced by those who are trained in the operation and service of commercial dishmachines. Aftermarket parts or modified parts are not compliant or listed with the standards of governmental and regulatory agencies; aftermarket parts are not authorized by ADS for replacement repairs. ADS will not be responsible for any liability if parts are used in the repair of the machine that are not ADS-specified, by those installing non-certified replacement parts or attempts to change the machine's cycle or operation other than as designed and certified. **Read the warnings and cautions provided below before working on or replacing parts on any ADS equipment.**



DANGER

The installation of electrical parts contained in this publication require the following precautions:

The electrical power supplied to this machine is an imminent hazard to life that could result in severe bodily injury or death if not properly installed or connected correctly. When working in the control box or on electrical parts, always disconnect power and perform the appropriate lock-out/tag-out procedure before servicing. Replace the cover to the control box and other protective covers when finished with servicing this equipment before returning the machine to normal operation.

LOOSE ELECTRICAL CONNECTIONS: Damage to the equipment can occur if the following precautions are not observed. Before connecting power to the machine, check all electrical terminals in the control box. Screws can loosen in transit. Loose connections on high amp load terminals such as the pump motor and tank heaters will cause wire burning and component damage during operation and will not be covered under ADS warranty.

"CLEAN CIRCUIT" means the electrical circuit breaker for the dishmachine supplies no other outlets, machines, or lights. GFCI outlets are not recommended for commercial dishmachines; ADS recommends that a single-rack machine be installed with the wire connection (hard-wired) directly from the circuit breaker. All high temp and conveyor equipment must be hard wired. If a plug and socket are used to provide electrical power to a dishmachine in a commercial kitchen, then according to electrical code it must be a GFCI, but not all GFCIs are the same. They must be rated for the Amp draw for the designed circuit.

For Reference: The NEC Article 210.8 regarding GFCI Protection (B) Other Than Dwelling Units (2) Commercial and Institutional Kitchens. All 15 and 20A, 125V receptacles installed in kitchens, even those that do not supply the countertop surface, must be GFCI protected.



WARNING

The chemical feeders and controls contained in this publication require the following precautions:

READ Manufacturer's Manual before Using this Product. For your safety read and observe all warnings in these instructions. While performing installation of parts described in this booklet, wear approved Personal Protective Equipment, including chemically resistant gloves and Safety Eye-Wear.

CHEMICALS: There are potentially hazardous situations when working with industrial cleaning chemicals for dishmachines. See chemical manufacturer's safe practices and SDS or MSDS sheets for handling and installing chemicals and supply containers.

Chemicals can damage or corrode plumbing and stainless parts of the dishmachine. Do not run chemical lines over controls or plumbing. Always secure chemical lines and check regularly for leaks. **If not properly handled, chemicals can cause serious bodily injury.** In the event of chemical contact to skin or eyes; wash immediately with fresh water and seek medical attention.

DE-LIMING THE MACHINE: Because of potential hazards resulting from the combination of chlorine with acid solution, only authorized trained individuals must be allowed to de-lime a commercial dishmachine.

CONTAINERS: The ADS chemical delivery system is designed for 5 gallon pails of industrial low-energy chemical products. Always use chemical resistant safety gloves and safety goggles (indirect-vented or non-vented) when changing chemical

CONTAINERS: The ADS chemical delivery system is designed for 5 gallon pails of industrial low-energy chemical products. Always use chemical resistant safety gloves and safety goggles (indirect-vented or non-vented) when changing chemical buckets. Immediately report spills and refer to your chemical suppliers SDS safety data sheet or MSDS material safety data sheet for information if chemical comes in contact with skin or eyes.

Any modifications to the chemical delivery system for smaller containers must include Closed Loop Chemical Containers (spill proof bottles) in a secured racking system. It is the responsibility of the user of the machine to purchase chemicals in spill proof containers. **FAILURE CAN RESULT IN SERIOUS INJURY.** Never place chemicals in open containers or containers that can be easily tipped over when moving or changing product. Failure to do so will void your ADS warranty.

Chemical supplies must be kept in closed delivery containers to avoid spills or contamination. Do not place chemical solutions in open containers or containers that can be easily tipped over in moving or changing.

Do not open the doors while the machine is in operation. Doing so could result in serious bodily injury from spraying hot water and chemicals.



CAUTION

The door lever arm parts in this publication are installed under spring tension and caution is needed whenever parts are changed. Wear safety glasses when working on the doors and lever. Care should be taken when moving, installing, or replacing any door lever arm parts. Use the ADS lever arm tool to unload the door spring during replacement or adjustment. The spring tension suddenly released can result in pinch or blunt trauma, and puncture wounds. If a wound occurs from the release of spring tension, wash the wound area immediately because of the soils that can accumulate on the metal parts and seek medical attention.

NOTICE

BEFORE YOU BEGIN: American Dish Service provides this information as a service to our customers. **Keep all instructions for future reference.** ADS reserves the right to alter or update this information at any time. Should you desire to make sure that you have the most up-to-date information, we would direct you to the appropriate document on our web site: www.americandish.com. **It is your obligation as the customer to ensure that the replacement parts for the machine are installed safely and properly, and when completed, the machine is left in proper and safe working order.** Electrical, Plumbing, and Chemical hookup must be performed by a qualified professional who will ensure that the equipment is installed in accordance with all applicable Codes, Ordinances, and Safety requirements. Failure to follow the installation instructions will void the warranty. **ADS assumes no liability or control over the installation of the equipment or replacement parts. Product failure due to improper installation is not covered under the ADS Warranty.**

Plumbing parts:

When working on the water inlet manifold, first relieve the water line pressure by turning off the water supply to the machine then energize the machine's fill valve. By doing this the manifold will empty of water. Turn off the electrical power and lock out/tag out the machine. It will then be safe to open the plumbing inlet manifold.

TANKLESS WATER HEATERS have shown to be problematic for commercial dishmachines. It has been the experience of ADS that tankless supply systems require multiple units plumbed in sequence with a recirculation loop to achieve proper pressure and temperature.

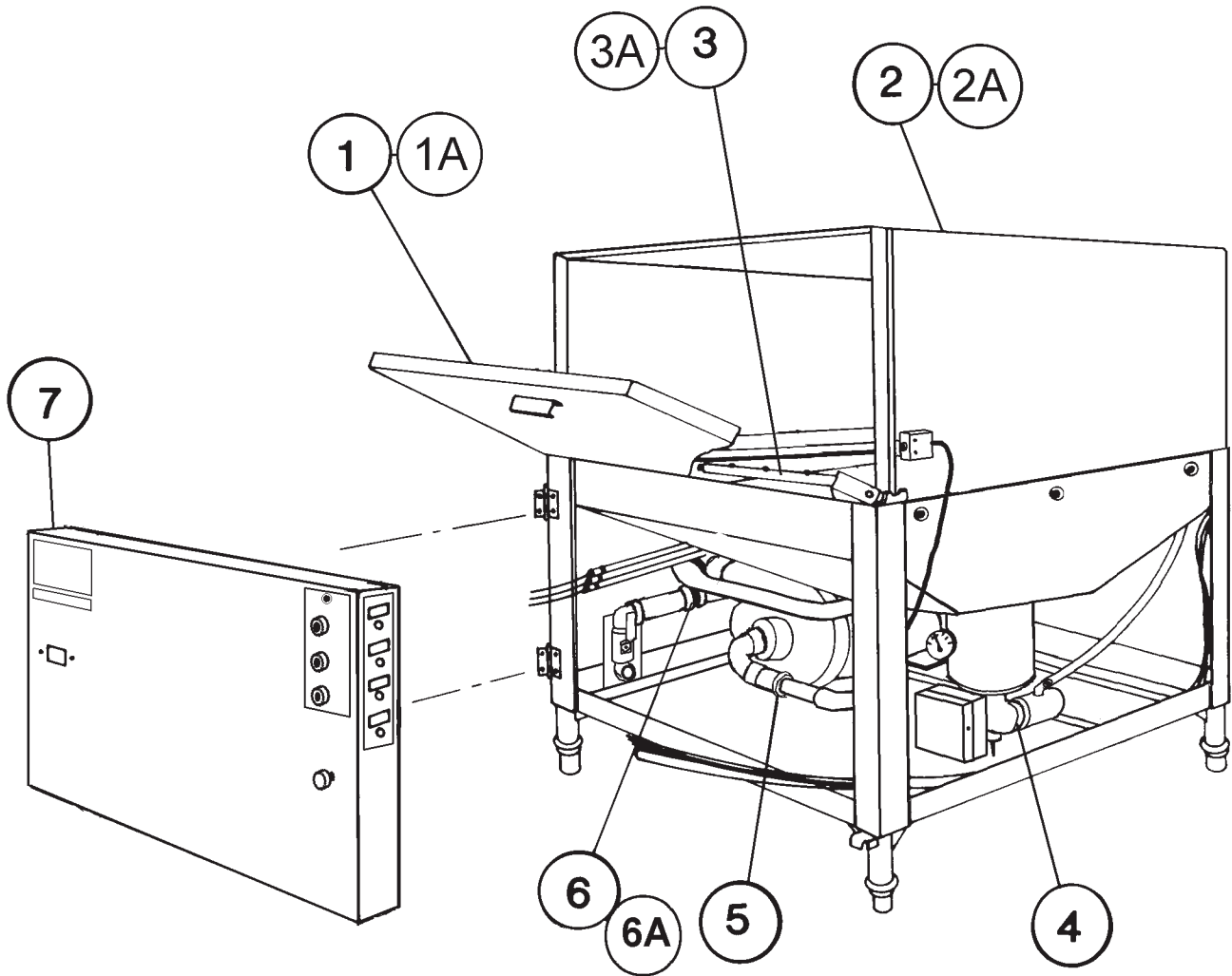
Check with the tankless water heater manufacturer, they may recommend a storage tank to guarantee proper flow and line pressure to the machine. **Failure to provide adequate water quantity, pressure and temperature to the machine will cause the machine to function improperly and is not the responsibility of ADS. Improperly installing ADS equipment or parts in this manner could void the warranty.** All costs associated with providing an adequate water supply to the machine is the sole responsibility of the user.

Drain replacement parts should not be reduced in size, all drain lines should remain the same size as it exits the dishmachine or larger. If you have questions, call 800-922-2178 or visit our website at www.AmericanDish.com

017-0090 / 018-0090 / 022-0090

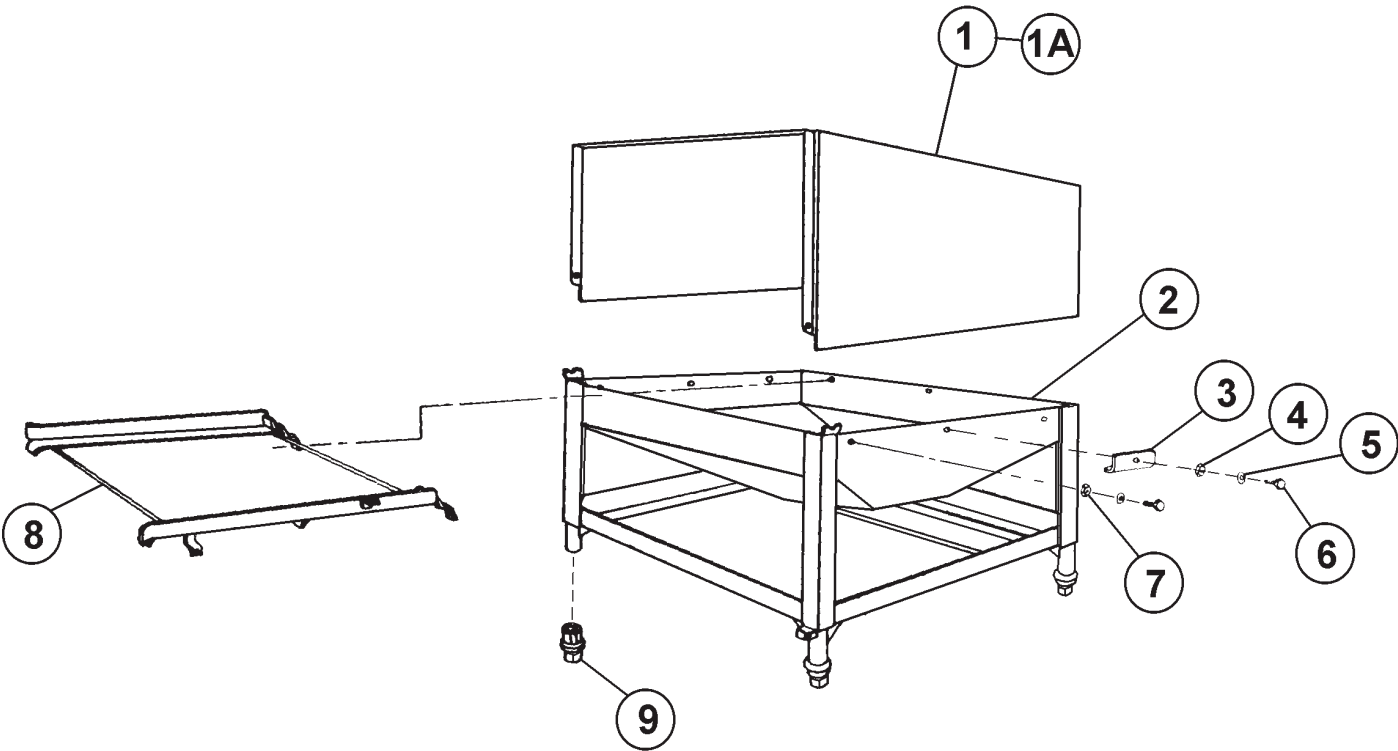
Models:
ETAF / ETAF-3 / ETAF-M

American Dish Service



061-0800 Cabinet Assembly
ETAF / ETAF-M
061-1900 Cabinet Assembly
ETAF-3

American Dish Service



061-0800 Cabinet Assembly

ETAF / ETAF-M

061-1900 Cabinet Assembly

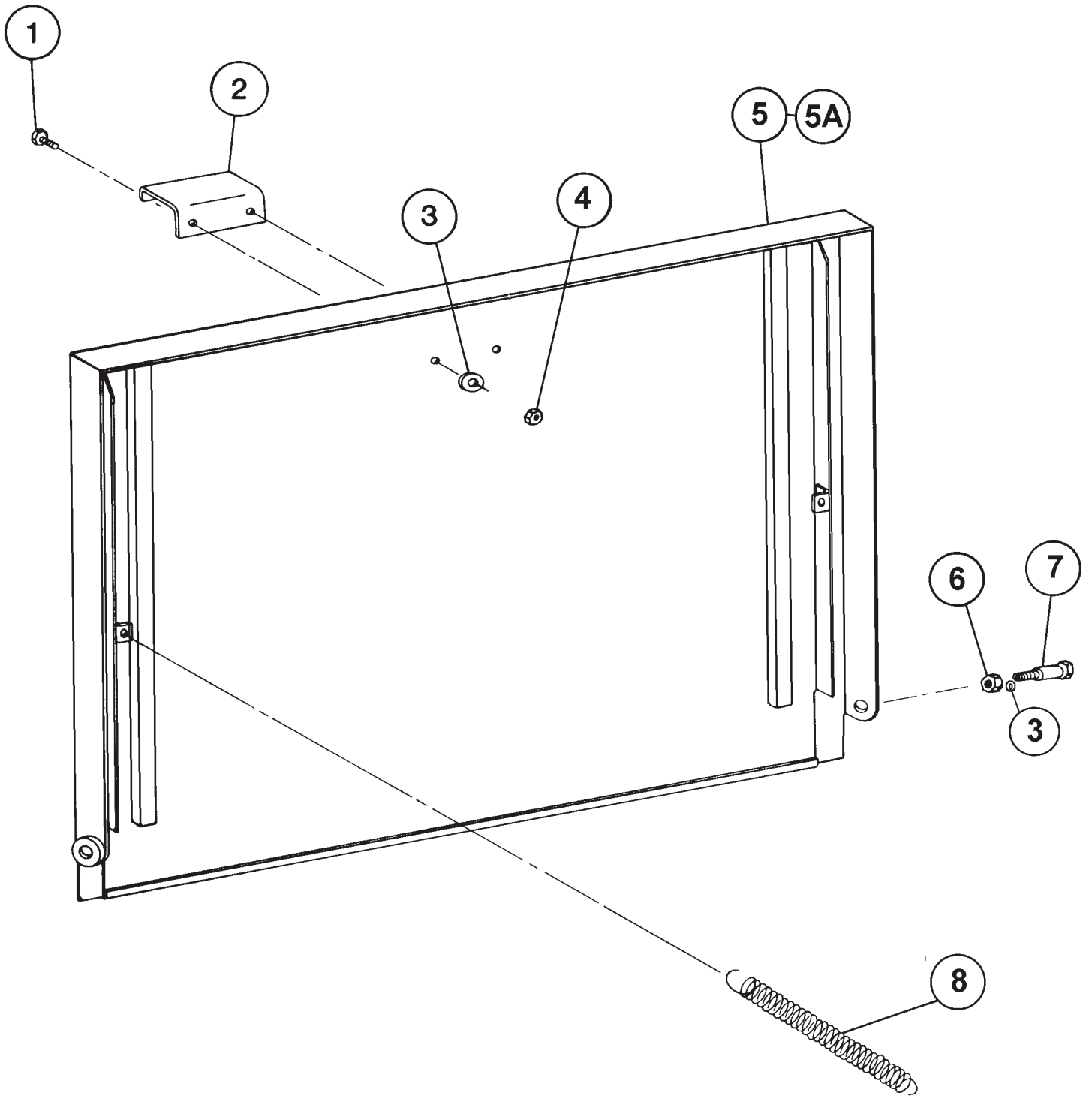
ETAF-3

American Dish Service

Ref. No.	Part No.	No. Req.	Description
1	085-6173	1	Hood Weldment, ETAF/ETAF-M
1A	085-6128	Opt.	Hood Weldment, ETAF-3
2	085-6138	1	Pan/Frame Weldment, ETAF/ETAF-M/ETAF-3
3	064-0029	1	Chemical Feeder Assembly, ETAF/ETAF-M/ETAF-3
4	098-2507	3	Locknut, 1/4-20, SS
5	098-2404	11	Washer, 1/4", SS
6	098-1423	11	Bolt, 1/4-20 x 1/2", HH, SS
7	098-2507	8	Locknut, 1/4-20, SS
8	085-6133	1	Tray Track Weldment
9	099-1019	4	Bullet Foot, Plastic

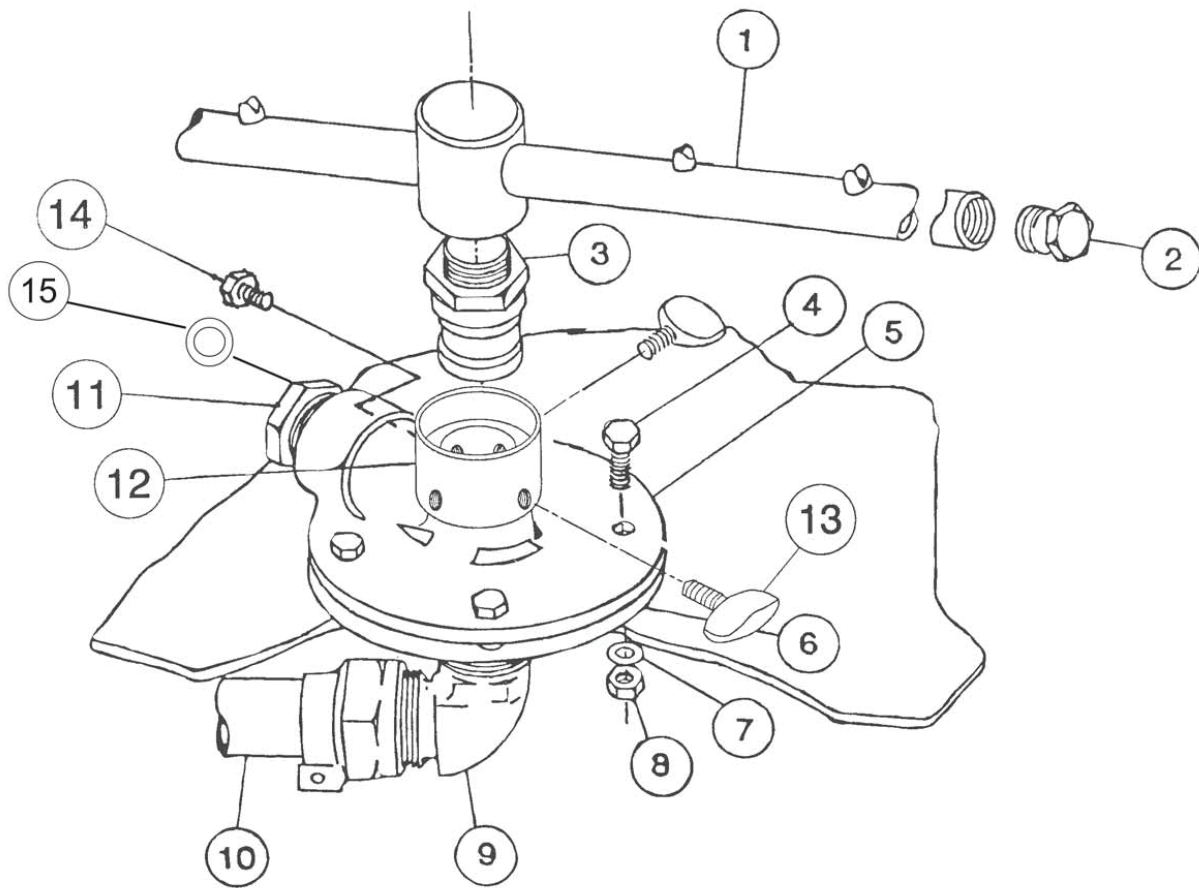
067-1200 Door Actuator Assembly
ETAF / ETAF-M
067-0800 Door Actuator Assembly
ETAF-3

American Dish Service



067-1200 Door Actuator Assembly**ETAF / ETAF-M****067-0800 Door Actuator Assembly****ETAF-3****American Dish Service**

Ref. No.	Part No.	No. Req.	Description
1	098-1423	2	Bolt, 1/4-20 x 1/2", HH, SS
2	086-6818	1	Handle
3	098-2404	4	Washer, 1/4", SS
4	098-2507	4	Washer, 1/4-20, SS
5	085-6144	1	Door Weldment, ETAF/ETAF-M
5A	085-6129	Opt.	Door Weldment, ETAF-3
6	098-2412	2	Locknut, 1/4-20, SS
7	098-1417	2	Door Pivot Bolt
8	098-3012	2	Spring
N/S	086-6430	2	Brackets, Spring (Bolted to Sides of Hood)
			SERVICE NOTE: Machines prior to January 1989, Use 098-3010 Spring with 086-6713 Spring Extension

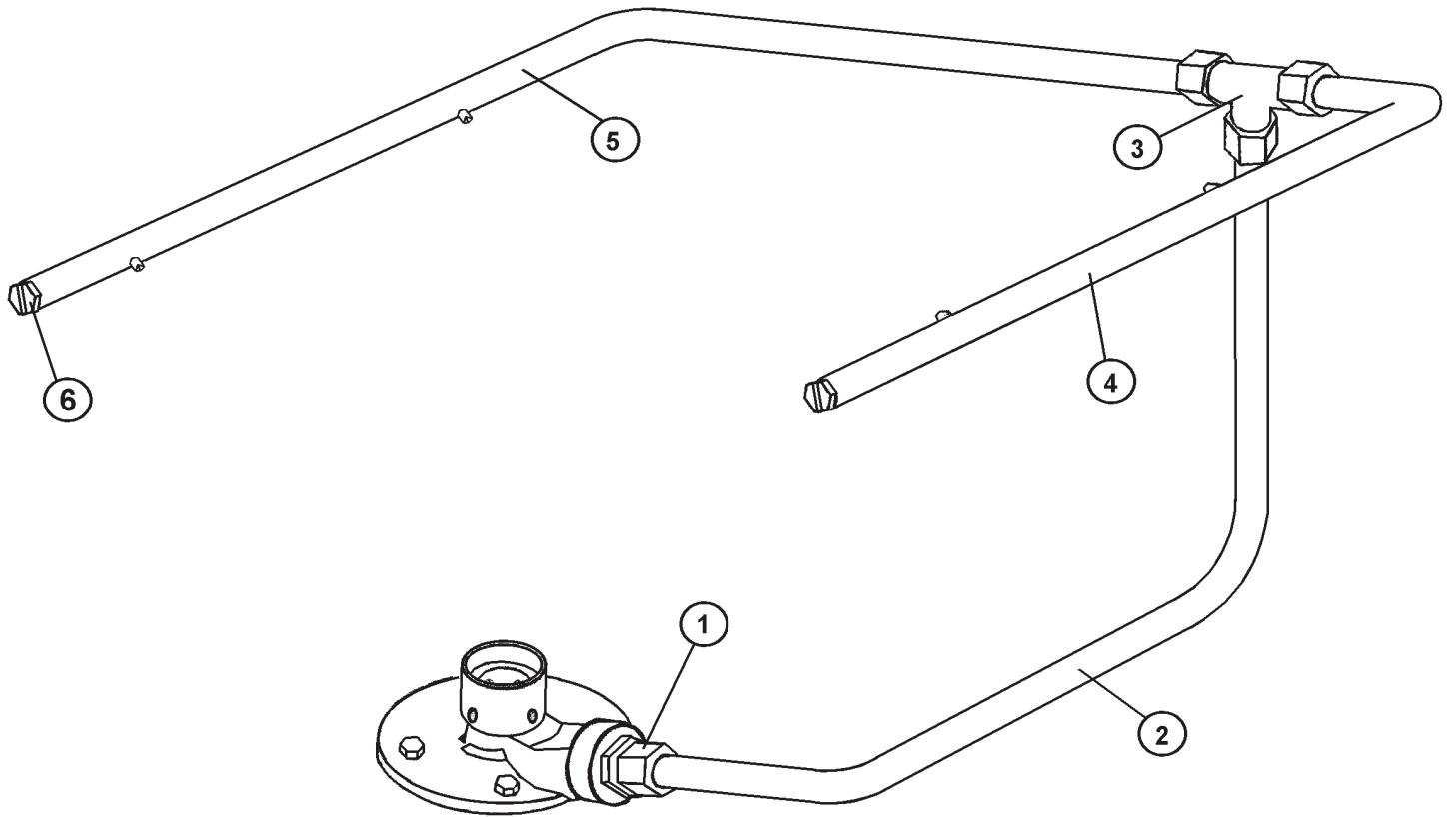


062-0700

Spray System Assembly
ETAf / ETAf-3 / ETAf-M

American Dish Service

Ref. No.	Part No.	No. Req.	Description
1	081-6208	1	Spray Arm Assembly
2	084-6211	2	Spray Arm End Plug, SS
3	081-6217	1	Spray Arm Bearing Assembly, Cleanable
4	098-1426	4	Bolt, 1/4-20 x 3/4" HH SS
5	082-6212	1	Lower Spray Base, SS
6	089-6201	1	Gasket, Spray Base
7	098-2416	4	Washer, 1/4", SS
8	098-2507	4	Locknut, 1/4-20, SS
9	092-1001	1	Ford Elbow Connector
10	086-6210	1	Pump Discharge Tube
11	082-6210	1	Spray Base Manifold Nut, SS
12	082-6211	1	Spray Base Adapter, SS
13	098-1583	3	Thumbscrew, 5/16-18 x 5/8" SS
14	098-1501	1	Bolt, 5/16-18 x 5/16", HH, SS
N/S	092-1015	0	Ford Repair Kit (Repair Item)
N/S	081-6212	Opt.	Spray Arm Assembly, Glassware, Crossarm
15	289-6618	1	'O'-Ring for Manifold Nut
	NOTE: CONVERT BRASS BASE TO STAINLESS		
N/S	088-1084	Opt.	Kit, Lower Spray Base Conversion Brass to Stainless Steel, Thumbscrew Style

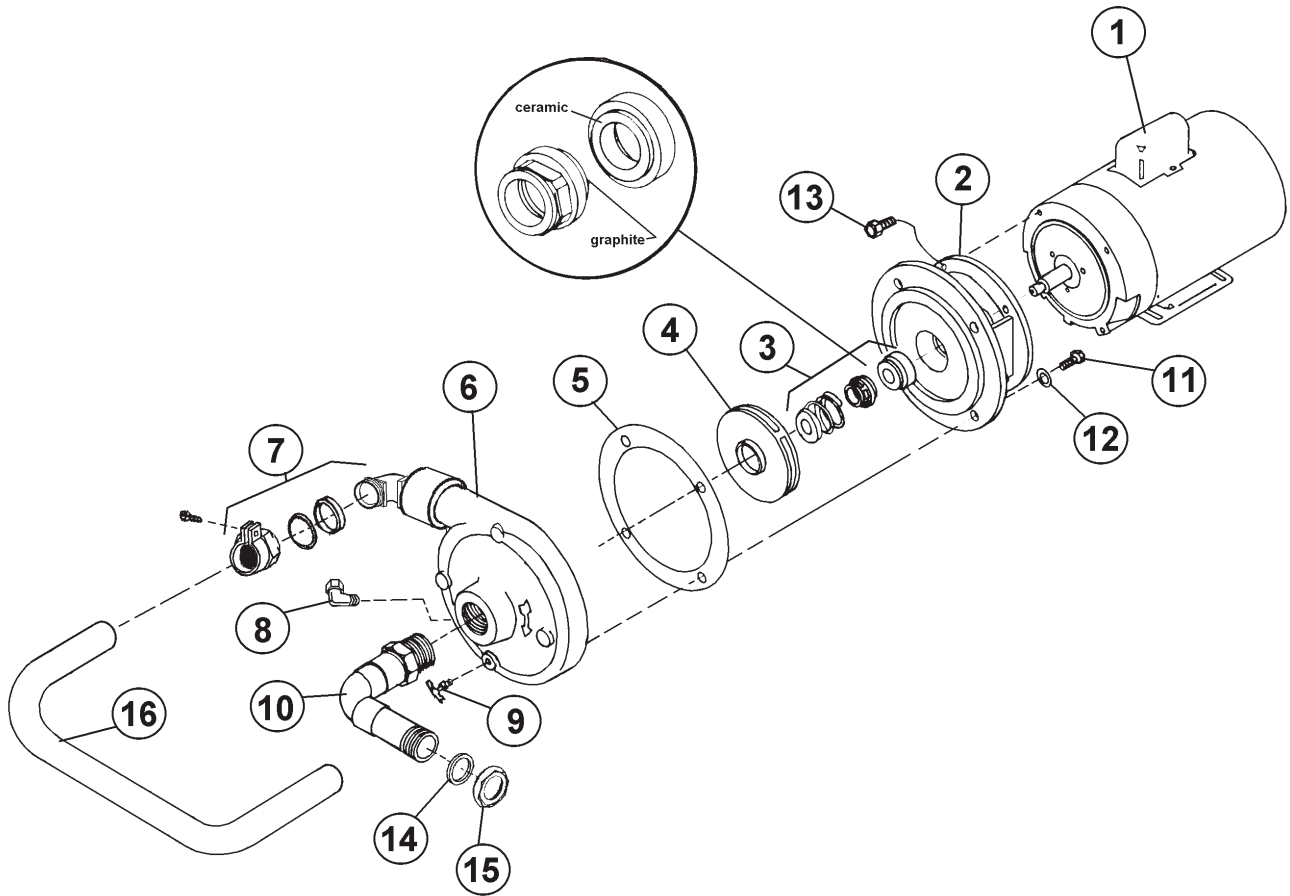


062-0007

UpperManifold Assembly
ETAF-3 / ETAF-M

American Dish Service

Ref. No.	Part No.	No. Req.	Description
1	092-1009	1	Compression Fitting, 7/8" Comp x 1" MPT, Brass
2	087-6210	1	Riser Pipe, ET-AF-M
Opt.	087-6211		Riser Pipe, ET-AF-3
3	092-1109	1	Compression Tee, 7/8" x 7/8" x 7/8", Brass
4	085-6202	1	Upper Stationary Manifold, RH
5	085-6201	1	Upper Stationary Manifold, LH
6	084-6203	2	Spray Arm Endplugs, Brass
N/S	086-6725	2	Brackets, Upper Manifold Support
N/S	088-1054	Opt.	Kit, Upper Manifold

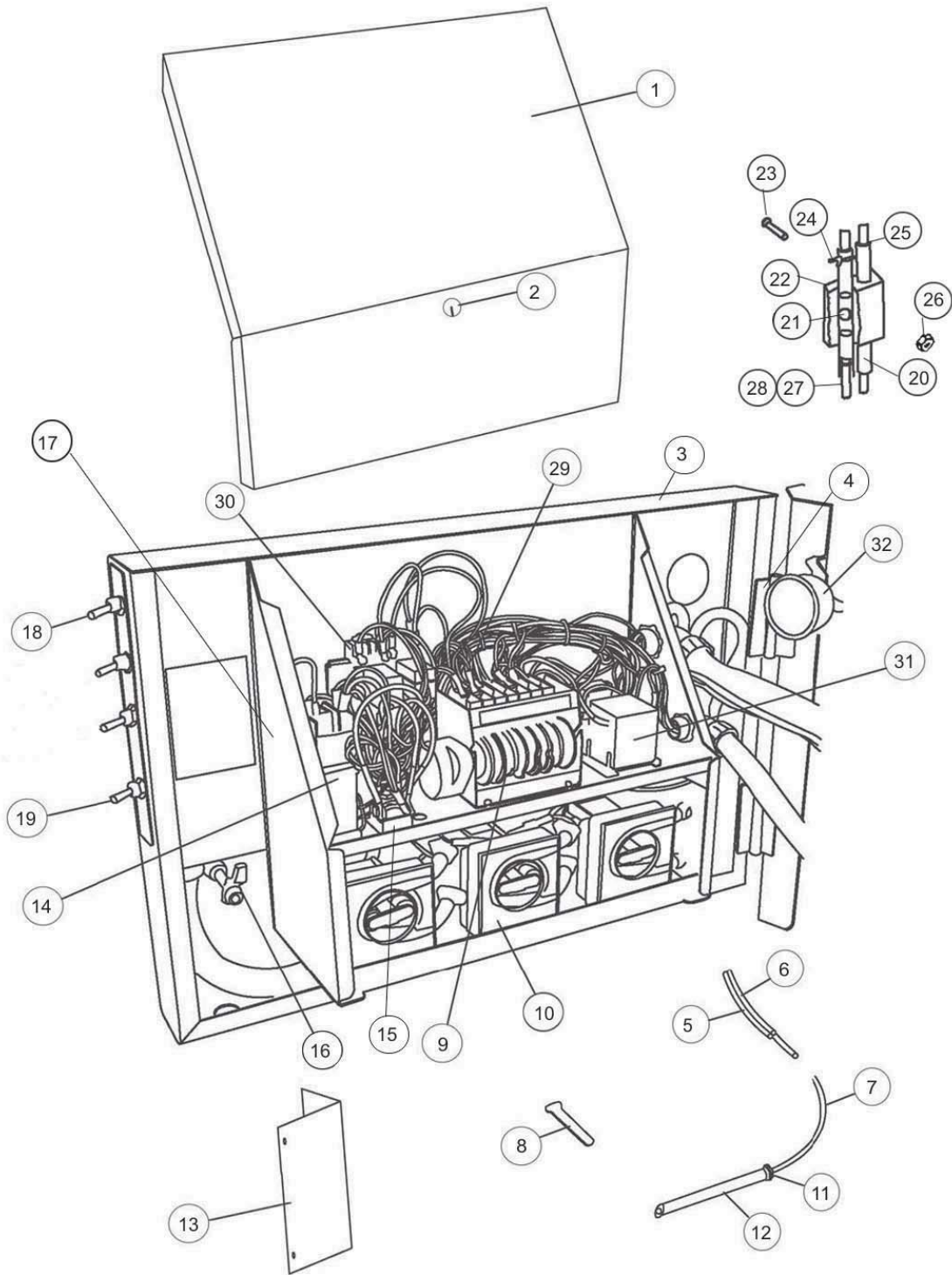


063-1500

Recirculating Pump Assembly
ETA F / ETA F-M / ETA F-3

American Dish Service

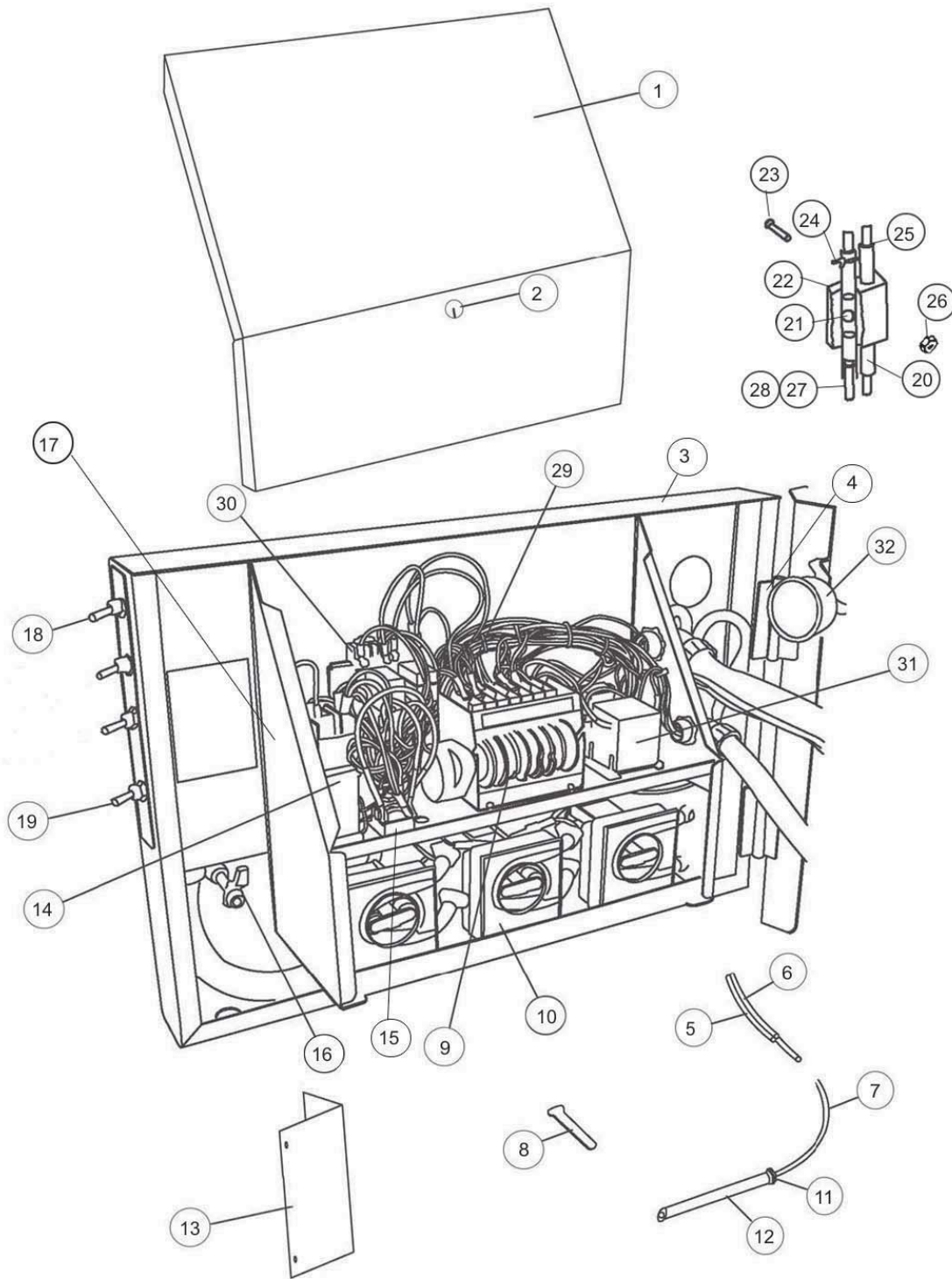
Ref. No.	Part No.	No. Req.	Description
1	091-1001	1	Motor
2	082-6301	1	Rear Housing
3	092-2001	1	Seal Assembly
4	082-6303	1	Impeller
5	089-6303	1	Gasket
6	082-6302	1	Front Housing (Pump Cover)
7	092-1001	1	Ford Elbow
8	092-1022	1	Elbow, 1/2" Comp x 3/8 MPT 90
9	092-1002	1	Petcock 1/8" MPT
10	085-6317	1	Suction Tube Assembly
11	098-1507	2	Bolt, HH, SS, 5/16-18 x 7/8
N/S	098-1510	2	Bolt, HH, SS, 5/16-18 x 1 1/4
12	098-2503	4	Washer, Copper 5/16
13	098-1607	4	Bolt, 3/8-16 x 7/8" HH SS
14	092-2002	1	Gasket, Slipnut
15	092-1012	1	Slipnut 1 1/2"
16	086-6210	1	Pump Discharge Tube
REP	092-1015	0	Ford Fitting Repair Kit (Replacement)
REP	088-1012	0	Pump Assembly Through Impeller (Needs Gasket 089-6303)



064-2000

Control System Assembly
ETAF / ETAF-3 / ETAF-M**American Dish Service**

Ref. No.	Part No.	No. Req.	Description
1	087-6416	1	Control Box Cover
2	096-1002	1	Control Box Lock w/Key
3	085-6172	1	Skirt Weldment
4	081-6109	2	Hinge
5	093-1044	1	Chemical Tube, Blue (Sold by the Foot)
6	093-1045	1	Chemical Tube, Green (Sold by the Foot)
7	093-1046	1	Chemical Tube, Red (Sold by the Foot)
8	099-1004	1	Timer Adjustment Key
9	091-3004	1	Timer, 90 Second
N/S	091-3005	Opt.	Timer, 120 Second
N/S	091-3006	Opt.	Timer, 150 Second
10	064-0001	3	Chemical Pump Assembly (Peristaltic)
11	098-1605	3	Hose Clamp
12	083-6407	3	Tube Stiffener
13	086-6188	1	Switch Box Cover
14	091-3083		Contactor
15	091-3011	1	Instant Start Relay Socket
16	099-1017	1	Door Latch Assembly
17	081-6418	1	Control Box Weldment
18	091-3009	3	Toggle Switch
19	091-3008	1	Master Switch
20	092-2000	2	Squeeze Tube, Norprene (Sold by the Foot)
21	099-1008	1	Ball, Flow Indicator
22	094-6403	1	Flow Indicator Housing
23	098-1106	2	Screw, 6-32 x 1 1/8", PH, SS
24	098-1606	4	Hose Clamp
25	092-1146	4	Hose Barb, 1/4" x 3/16"
26	098-2101	2	Nut, 6-32, HH, SS
27	093-1046	1	Chemical Tube, Red (Sold by the Foot)
28	093-1045	1	Chemical Tube, Green (Sold by the Foot)
29	091-5025	1	Wire Harness
30	091-3003	1	Instant Start Relay
31	091-3049	1	Electric Counter

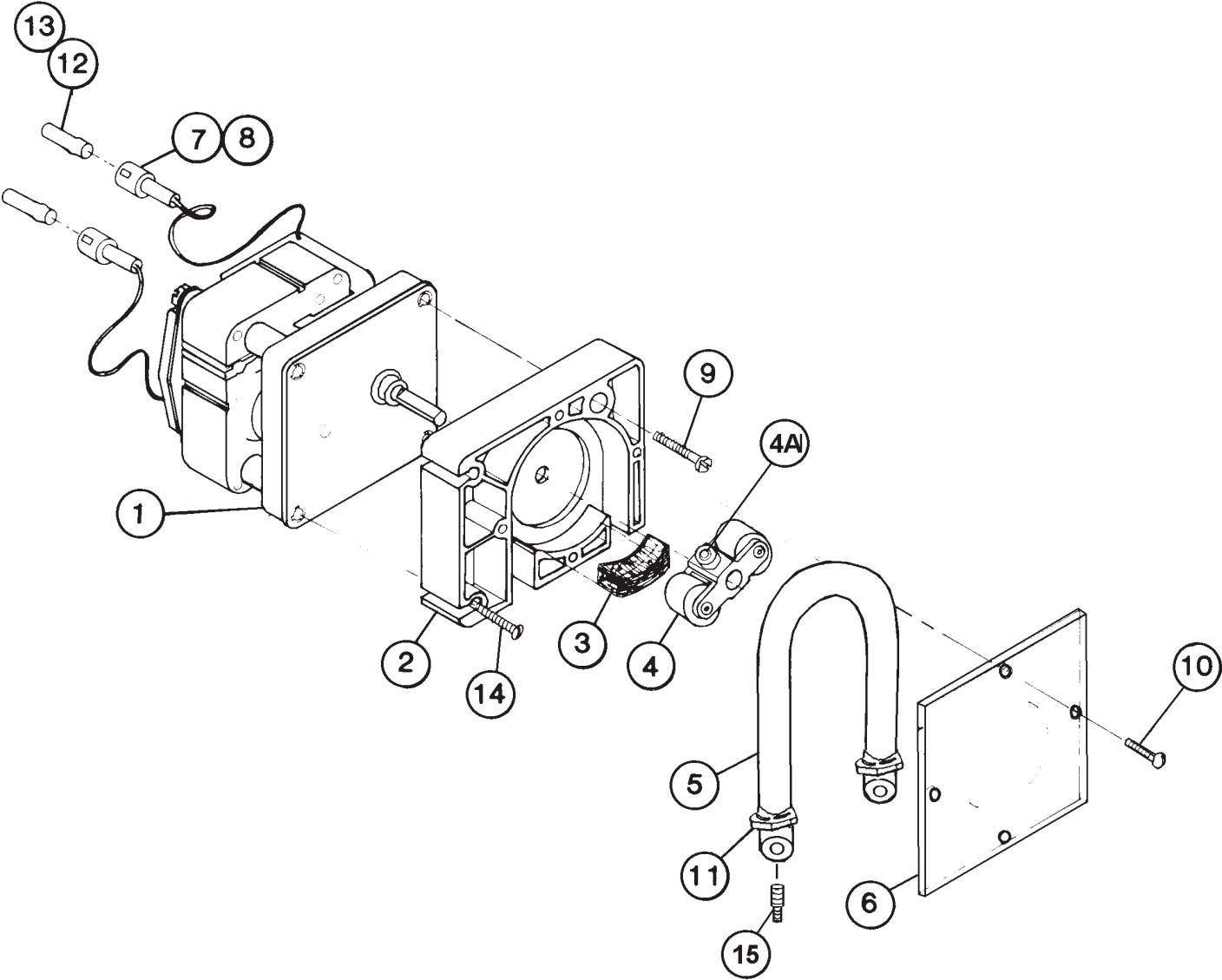


064-2000

Control System Assembly
ETAF / ETAF-3 / ETAF-M

American Dish Service

Ref. No.	Part No.	No. Req.	Description
32	299-1004	1	Temperature Gauge 3' Capillary
N/S	089-9282	1	Decal Set, ET-AF Skirt
N/S	089-9238	1	Decal, NSF Specifications
N/S	091-3070	1	Switch, Door Cut-Off
N/S	091-4139	1	Conduit Fitting, ¾", Straight
N/S	091-4141	5	Conduit Fitting, ½", Straight
N/S	091-4142	1	Conduit Fitting, ½" Elbow
N/S	089-9296	Opt.	Decal, NSF, ETAF-M (All Time Cycles)
N/S	089-9297	Opt.	Decal, NSF, ETAF-3 (All Time Cycles)

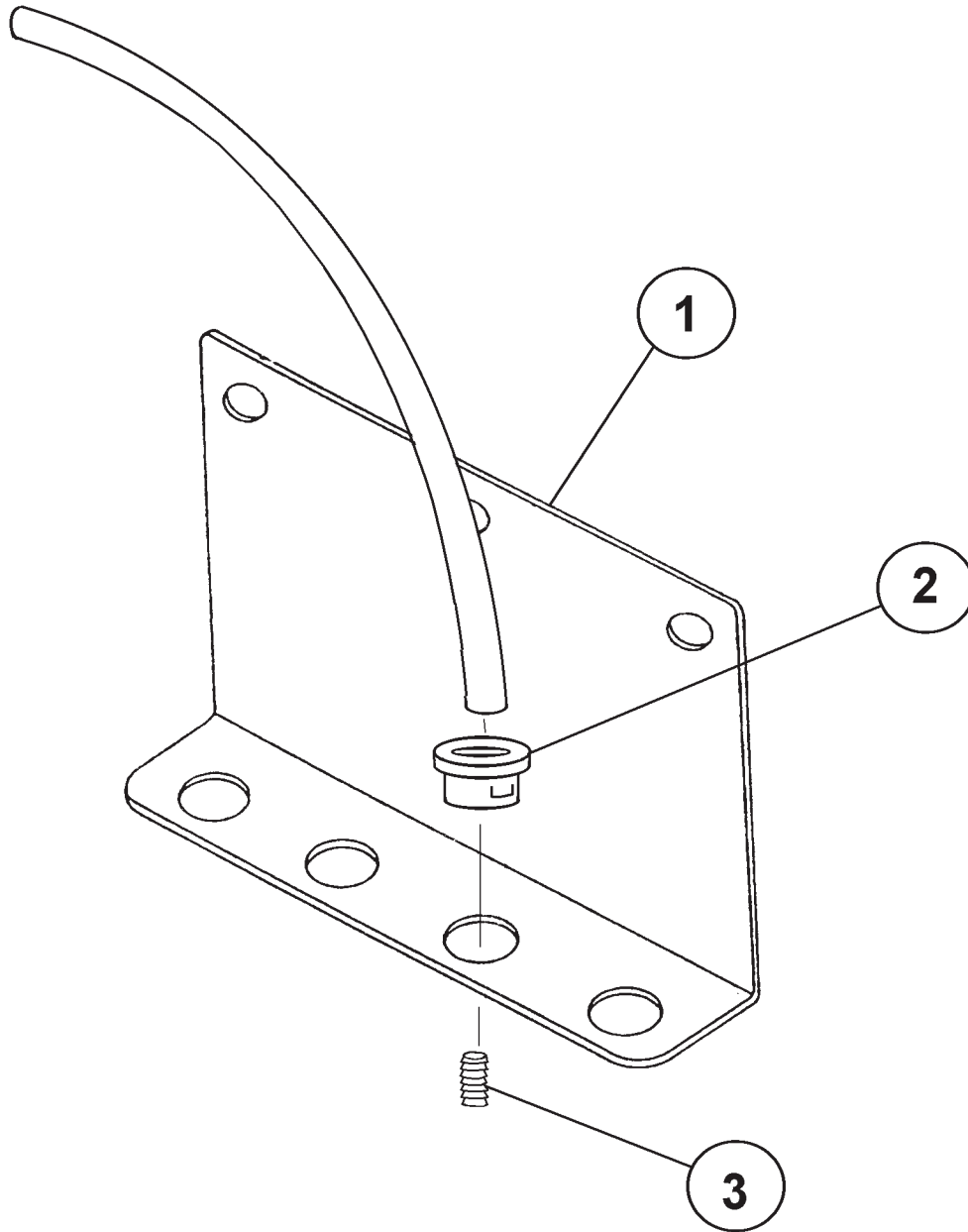


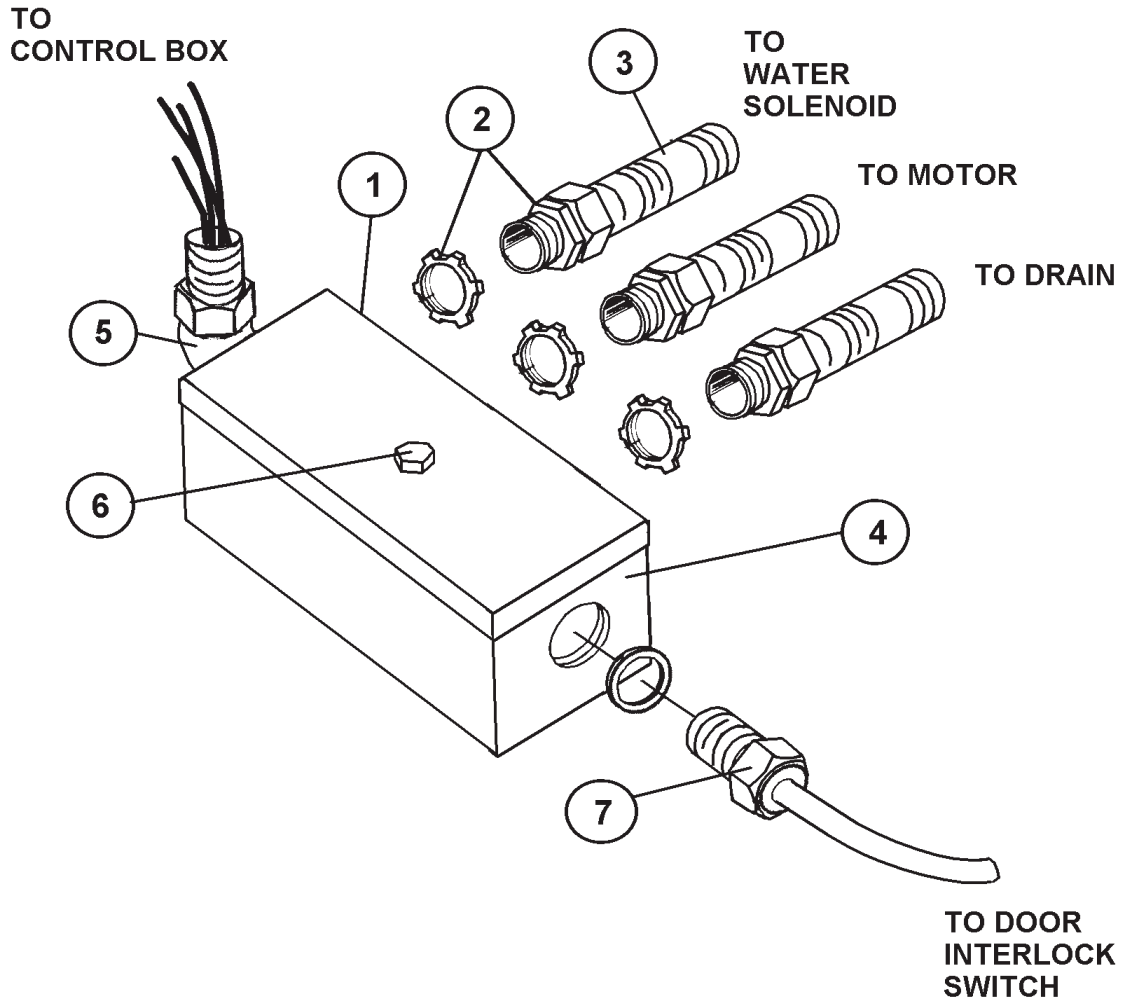
064-0001

Chemical Pump Assembly
ETAF / ETAF-3 / ETAF-M

American Dish Service

Ref. No.	Part No.	No. Req.	Description
1	091-1002	1	Gear Motor
2	083-6701	1	Chemical Pump Housing
3	089-6701	1	Lubrication Pad
4	067-6701	1	Rotor Assembly
4A	098-1401	1	Set Screw, 1/4-20 x 1/4"
5	087-6700	1	Chemical Pump Tube (Squeeze)
6	083-6702	1	Cover
7	091-5224	2	Molex Female Pin
8	091-5223	2	Molex Cover
9	098-1310	1	Screw, FH, SS, 10-32 x 1 1/2"
10	098-1204	4	Screw, RH, SS, 8-32 x 1/2"
11	098-1606	2	Clamp (Squeeze Tube to Chem Tube Connection)
12	091-5222	Rep.	Molex Male Pin (Service Only)
13	091-5221	Rep.	Cover (Service Only)
14	098-1305	2	Screw, RH, PLT, 10-32 x 1 1/2"
15	092-1146	2	Hose Barb, 1/4" x 3/16" (Squeeze Tube to Chem Tube Connection)
N/S	092-2000	Rep.	Squeeze Tubing (Bulk, Sold by the Foot)





064-0030

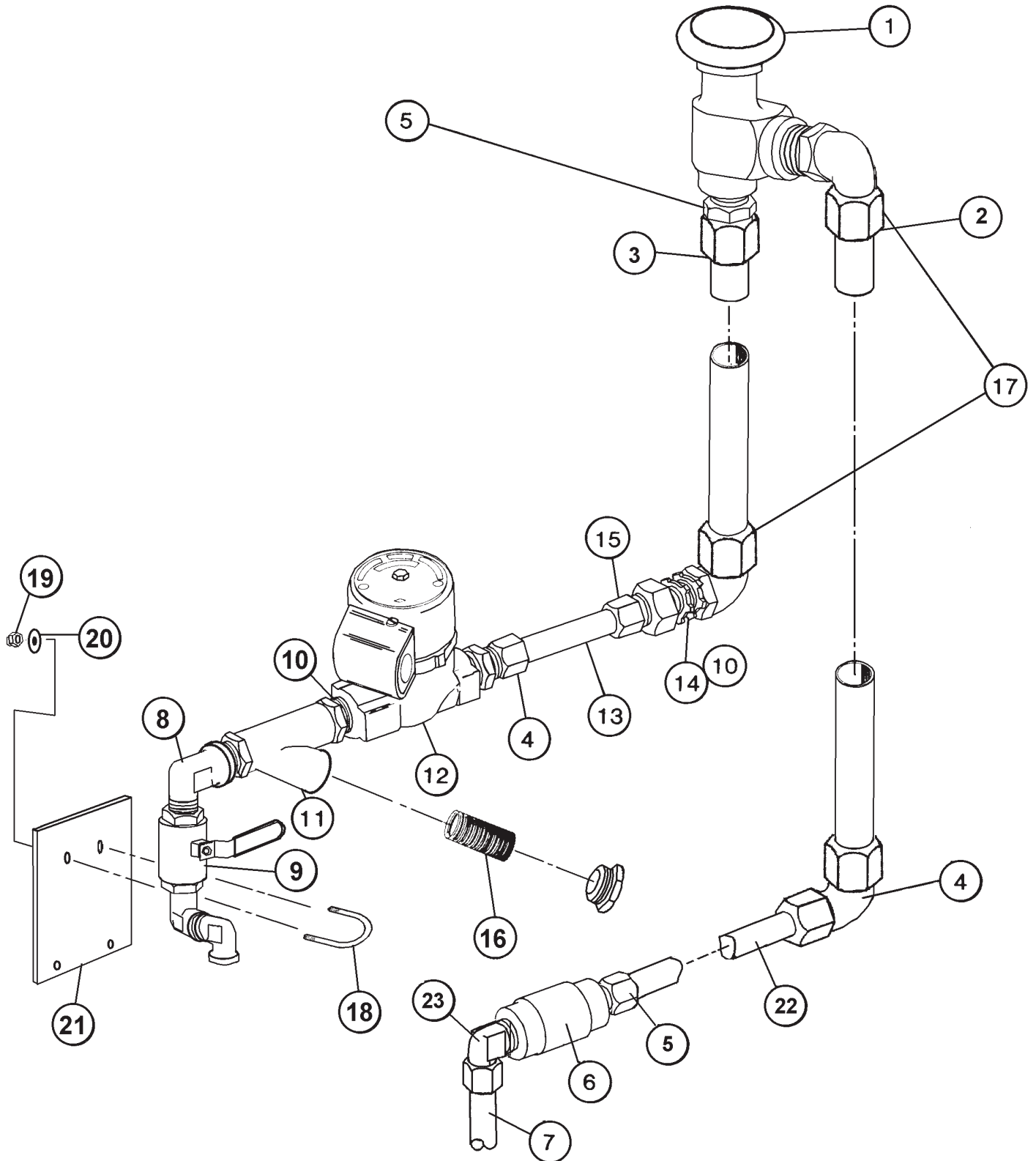
Conduit Assembly
ETAF / ETAF-3 / ETAF-M

American Dish Service

Ref. No.	Part No.	No. Req.	Description
1	086-6191	1	Junction Box Cover
2	091-4141	1	½" Straight Sealtite Fitting
3	091-5156	1	½" Conduit (Sold By The Foot)
4	086-6190	1	Junction Box
5	091-4140	3	¾" 90° Sealtite Fitting
6	098-1434	1	Bolt, ¼-20 x 2", HH, SS
7	091-4149	1	Strain Relief
N/S	091-5157	1	¾" Conduit (Sold By The Foot)
N/S	091-4139	1	Fitting, ¾" Straight
N/S	091-4142	1	Fitting, ½" Elbow

065-1600 Plumbing Assembly
ETAF / ETAF-M
065-1800 Plumbing assembly
ETAF-3

American Dish Service



065-1600 Plumbing Assembly

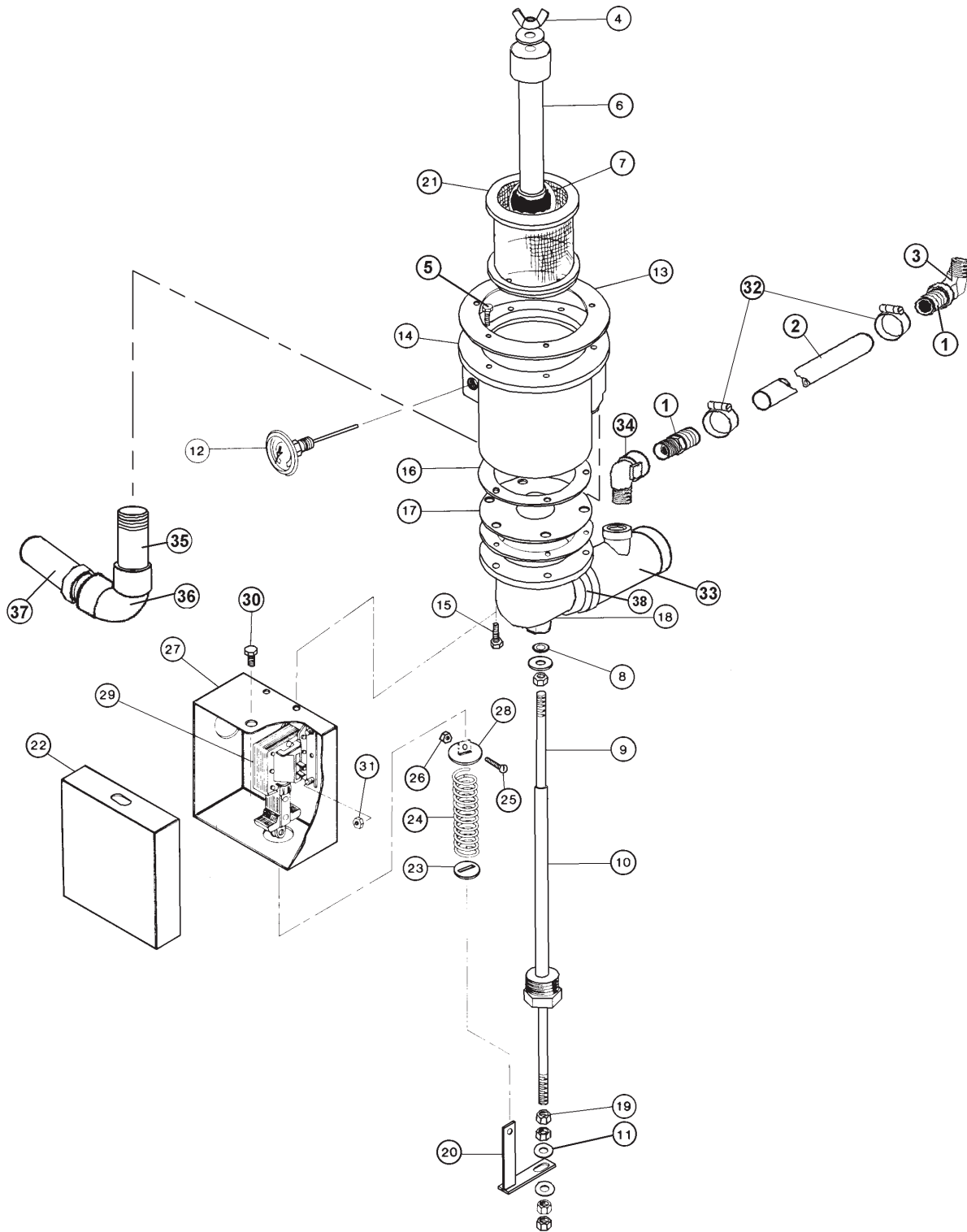
ETAF / ETAF-M

065-1800 Plumbing assembly

ETAF-3

American Dish Service

Ref. No.	Part No.	No. Req.	Description
1	092-5045	1	Vacuum Breaker Valve, Watts
2	085-6516	1	Vacuum Breaker Outlet Pipe ETAF/ETAF-M
	085-6518	Opt.	Vacuum Breaker Outlet Pipe ETAF-3
3	085-6515	1	Vacuum Breaker Inlet Pipe ETAF/ETAF-M
	085-6517	Opt.	Vacuum Breaker Inlet Pipe ETAF-3
4	092-1101	1	Fitting, 5/8" Comp x 5/8" Comp 90° Elbow
5	092-1058	3	Fitting, 5/8" Comp x 1/2" MPT
6	092-5027	1	Strataflow Checkvalve
7	092-3116	1	Fresh Water Supply Tube, 1/2" x 9"
8	092-1006	3	Fitting, Elbow, 1/2" FPT x 1/2" MPT, 90 °
9	092-5054	1	Shut-Off Valve
10	092-1008	2	Nipple, 1/2" Close
11	092-9001	1	Line strainer
12	092-5015	1	Solenoid Valve
13	094-1040	1	Fresh Water Supply Tube, 5/8" x 10 1/2 "
14	091-4144	1	1/2" Conduit Locknut
15	092-1063	1	Fitting, 5/8" Comp. x 1/2" FPT
16	092-9002	0	Screen (Replacement)
17	092-1100	2	Fitting, Elbow, 5/8" Comp. x 1/2" MPT 90 °.
18	098-9026	1	U-Bolt, 1/4-20, SS
19	098-2507	2	Locknut, 1/4-20, SS
20	098-2404	2	Washer, 1/4", SS
21	086-6170	1	Mounting Plate, Plumbing, ETAF
22	094-1010	1	Water Supply Tube, 5/8" x 10 1/2"
23	092-1062	1	Fitting, 1/2" MPT x 1/2" Comp, 90° Elbow, Brass
Rep	092-5049	0	Cap Watts Vacuum Breaker, 1/2" (Replacement)
Rep	092-5047	0	1/2" Watts Vacuum Breaker Repair Kit
Rep	092-5051	0	Bonnet & Stem, Watts Vacuum Breaker, 1/2"
Rep	092-5016	0	Solenoid Valve Repair Kit (Replacement)
Rep	092-5025	0	Solenoid Valve Body (Replacement)
Rep	092-5017	0	Solenoid Valve Coil (Replacement)
			LOS ANGELES OPTION
N/S	092-1102	1	Fitting, 5/8" Comp. X 5/8" Comp. X 3/8" Comp. Tee
N/S	092-1104	1	Locknut, 3/8" Comp.
N/S	089-6304	1	Gasket, L.A. Plumbing
N/S	086-6825	1	Bracket, Spray Deflector, L.A. Plumbing

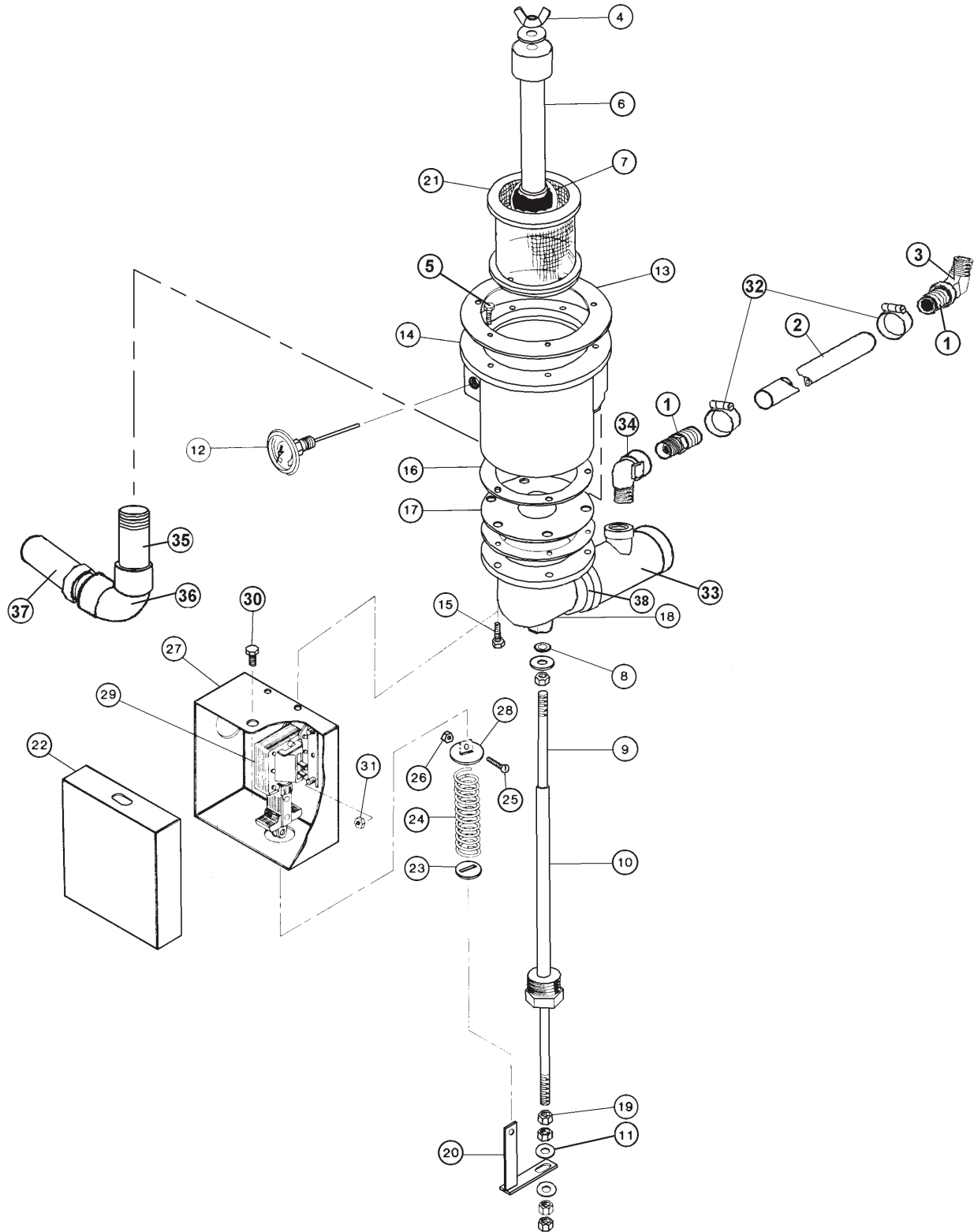


066-1400

Drain System Assembly
 ETAF / ETAF-3 / ETAF-M

American Dish Service

Ref. No.	Part No.	No. Req.	Description
1	092-1112	1	Hose Barb Fitting, 3/4" MPT x 1"
2	083-6449	1	Tubing, 1 1/8" OD x 1" ID x 6" Lg., Vinyl
3	092-1061	1	Fitting, 3/4" FPT x 3/4" MPT, 45° St. Elbow
4	098-2308	1	Wing Locknut, 1/4-20, SS, Nylon
5	098-1423	6	Bolt, HH, SS, 1/4-20 x 1/2"
6	084-6610	1	Drain Tube
7	083-6601	1	Drain Ball
8	098-9014	1	O-Ring, 1/4", Flat
9	086-6307	1	Push Rod
10	085-6611	1	Drain Shaft Weldment
11	098-2404	4	Washer, SS, 1/4"
12	099-1001	1	Temperature Gauge
13	089-6601	1	Sump Gasket
14	085-6603	1	Sump Assembly Without Tail Piece
15	098-1507	6	Bolt, HH, SS, 5/16-18 x 7/8"
16	089-6602	2	Drain Elbow Gasket
17	086-6601	1	Drain Seat
18	082-6603	1	Drain Elbow
19	098-2507	5	Locknut, 1/4-20, SS
20	085-6610	1	Drain Solenoid Link
21	085-6602	1	Sump Screen
22	085-6614	1	Solenoid Box Lid
23	086-6606	1	Washer Small Slotted
24	098-3007	1	Spring, Solenoid
25	098-1205	1	Bolt, RH, 8-32 x 5/8"
26	098-2201	1	Locknut, 8-32
27	085-6613	1	Solenoid Box
28	086-6607	1	Washer, Large Slotted
29	091-2001	1	Drain Solenoid
30	098-1423	1	Bolt, 1/4-20 x 1/2", HH, SS
31	098-2301	4	Locknut, 10-32
32	098-9024	2	1" Hose Clamp
33	092-6026	1	Fitting, 1 1/2" x 1 1/2" x 3/4" Tee, Brass
34	092-1074	1	Fitting, 3/4" MPT 90° Street Elbow



066-1400

Drain System Assembly
ETAFA / ETAFA-3 / ETAFA-M

American Dish Service

Ref. No.	Part No.	No. Req.	Description
35	092-6024	1	Nipple, Brass, 2 1/2" MPT x 1 1/4"
36	092-6003	1	Elbow, Brass, 1 1/4" FPT
37	085-6814	1	1 1/4" Short Tailpiece Weldment
38	092-6022	1	Nipple, Brass, 1 1/2" Close
N/S	092-1012	1	Slipnut, 1 1/2"
N/S	092-2002	1	Gasket, Slipnut
N/S	085-6624	Opt.	Screen, Drain Secondary, Inside Sump (Flat Dome)
N/S	086-6604	1	Drain Solenoid Stop

American Dish Service

*Manufacturer of low and high temperature
Commercial Dishwashers and Glasswashers*

900 Blake Street
Edwardsville, Kansas 66111
Ph:(913) 422-3700
Fax:(913) 422-6630