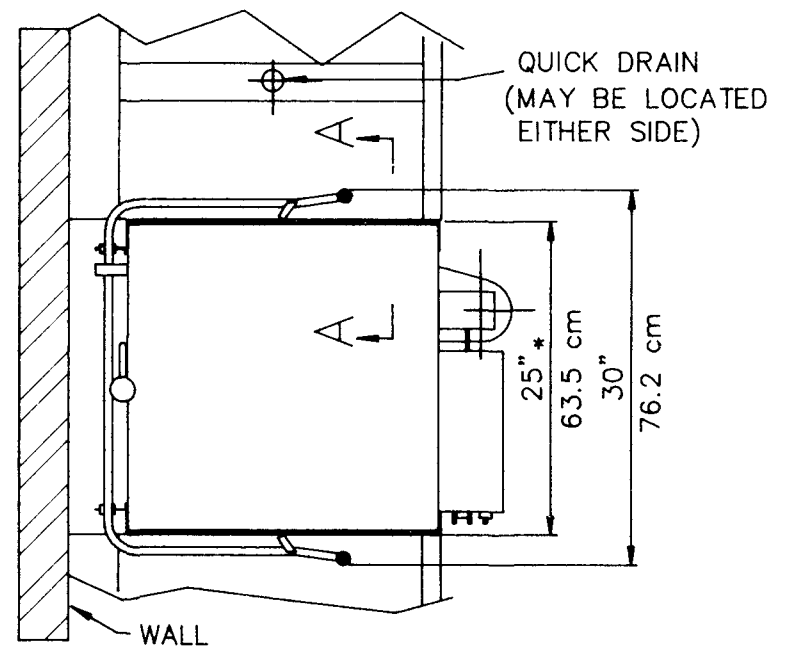




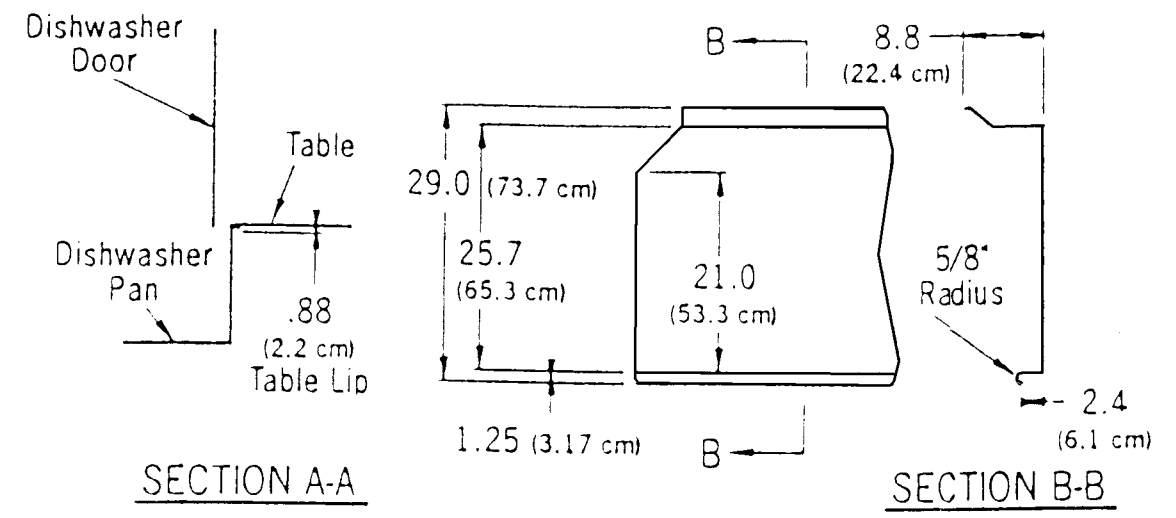
American Dish Service
Manufacturers of Ware Washing Equipment

WWW.AMERICANDISH.COM

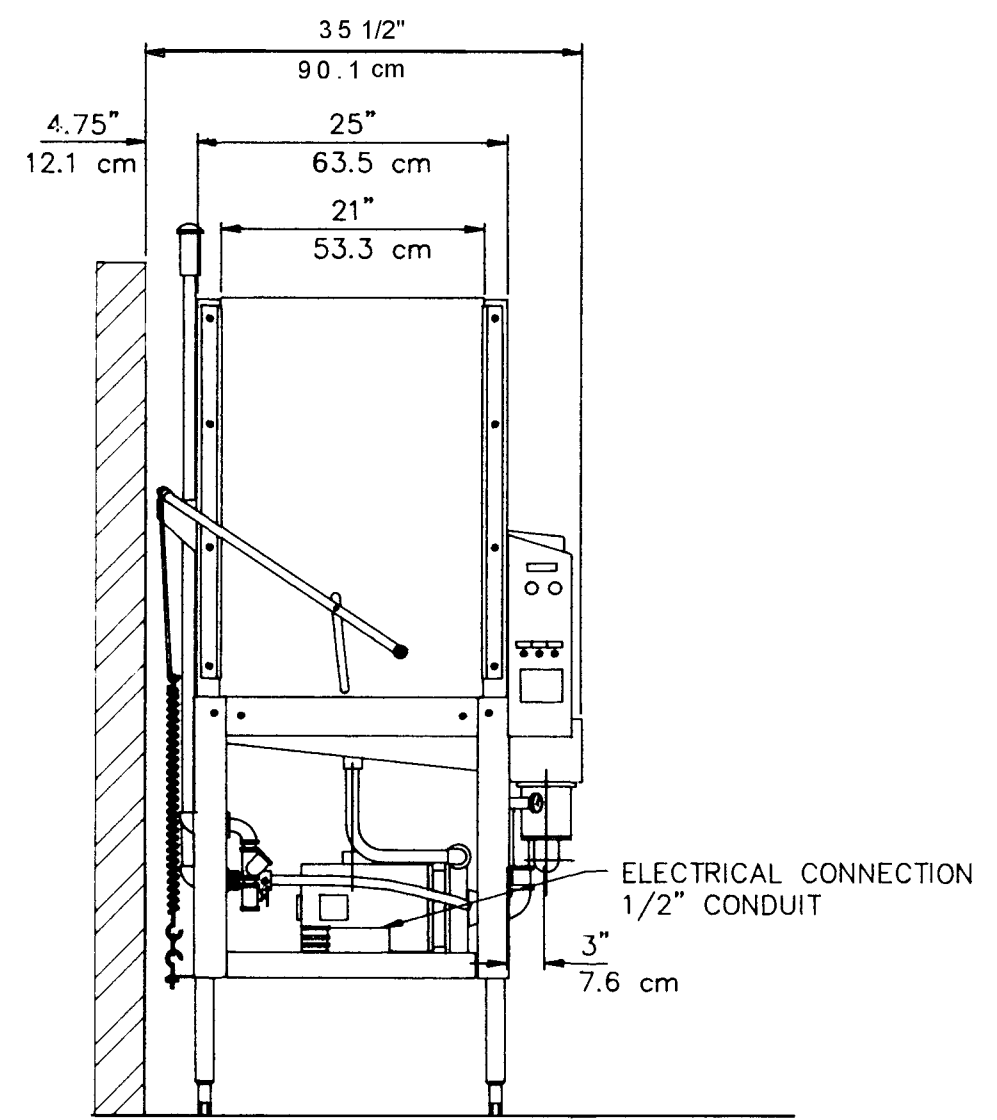
MODEL AF-B SPECIFICATIONS



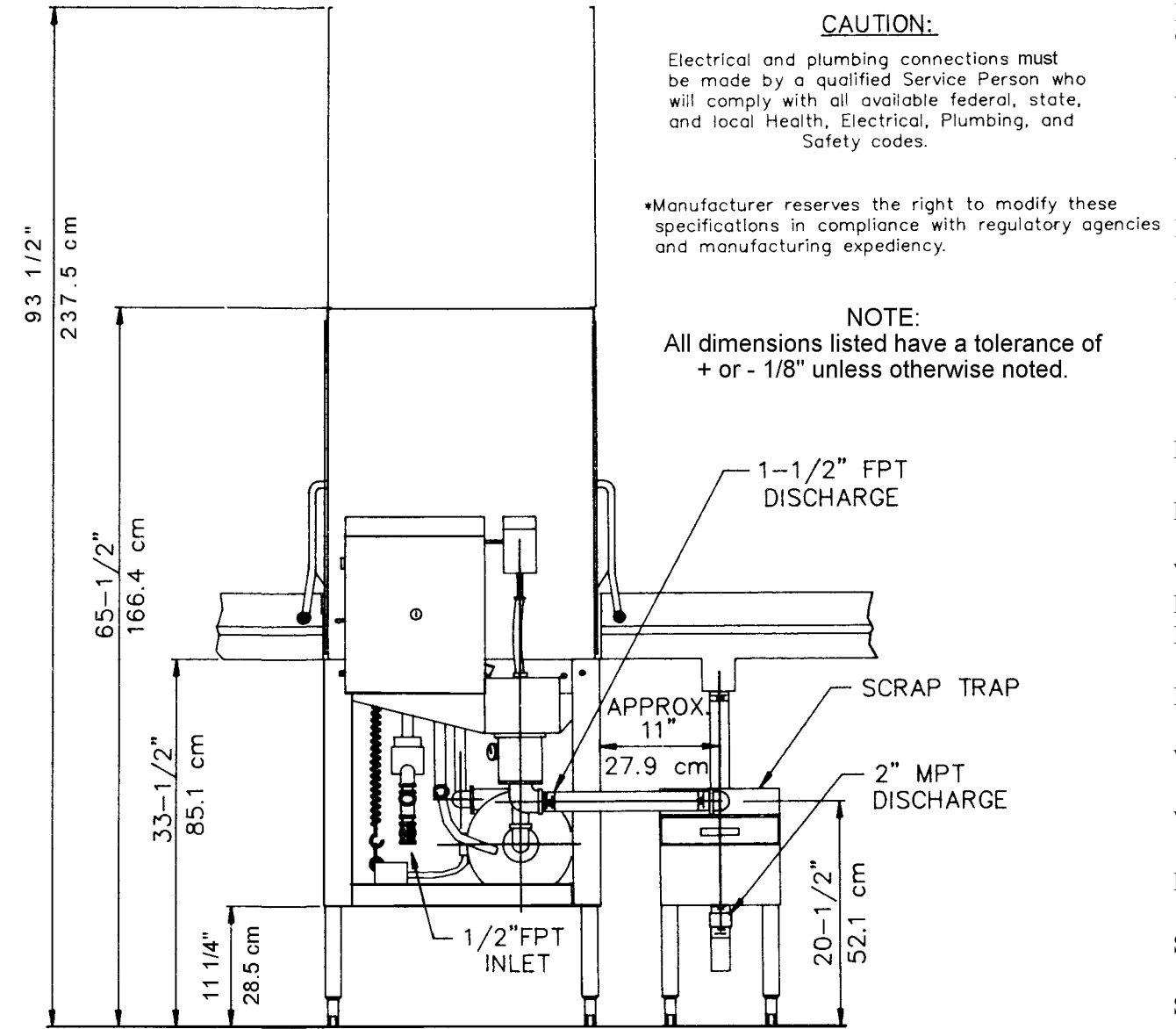
TOP VIEW



TOP VIEW
RECOMMENDED TABLE DETAILS



SIDE VIEW



FRONT VIEW

	FAMILY MODELS		
	AF-B	A-B	AH-B
RATED CAPACITY (Racks/Hr.)	37	28	23
WASH TIME (Sec.)	45	60	75
RINSE TIME (Sec.)	30	45	60
DWELL (Sec.)	15	15	15
TOTAL CYCLE TIME (Sec.)	90	120	150
WATER TEMPERATURE	130 F Min. 54.4 C Min.		
WATER CONSUMPTION	2.5 Gal's Per Cycle 8.33 Liters Per Cycle		
MOTOR	1.5 HP 1.125 KW		
ELECTRICAL RATINGS	115 Volts Single Phase		
	Connect to Supply Source using 10-12 AWG copper wires. Circuit Protection: 20 AMP Circuit Breaker or Fuse with a 20 AMP Rating.		
RACK SIZE	19 3/4" x 19 3/4" 50.2 cm x 50.2 cm		
DOOR CLEARANCE	27 1/2" x 21" 69.8 cm x 53 cm		
WATER INLET DRAIN	1/2" F.P.T. 1 1/2" F.P.T.		
HEIGHT (Door Open)	93 1/2" 237.5 cm		
HEIGHT (Door Closed)	65 1/2" 166.3 cm		
WIDTH (Overall)	30" 76.2 cm		
WIDTH (Table to Table)	25" 63.5 cm		
DEPTH (Overall)	34 1/2" 87.6 cm		
SHIPPING WEIGHT	301 lb. 136.5 kg.		
SHIPPING VOLUME	55.4 cu. ft.		