

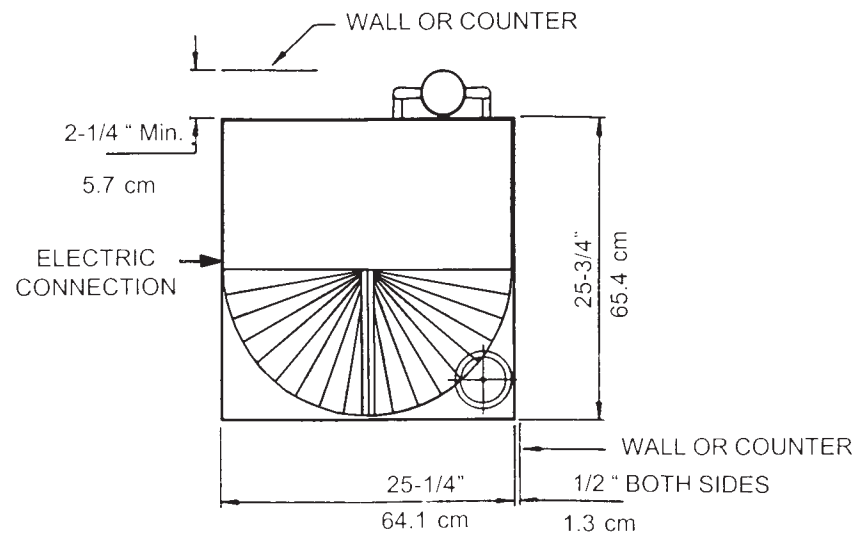
**CAUTION:**

Electrical and Plumbing connections must be made by a qualified Service Person who will assure that the installation is in compliance with all available federal, state, and local Health, Electrical, Plumbing, and Safety codes.

**CONNECT TO ELECTRICAL SUPPLY SOURCE**  
 USING 14-12 AWG COPPER WIRE  
 CIRCUIT PROTECTION: 15 AMP CIRCUIT BREAKER  
 OR FUSE WITH A 15 AMP RATING



**Model ASQ Specifications**

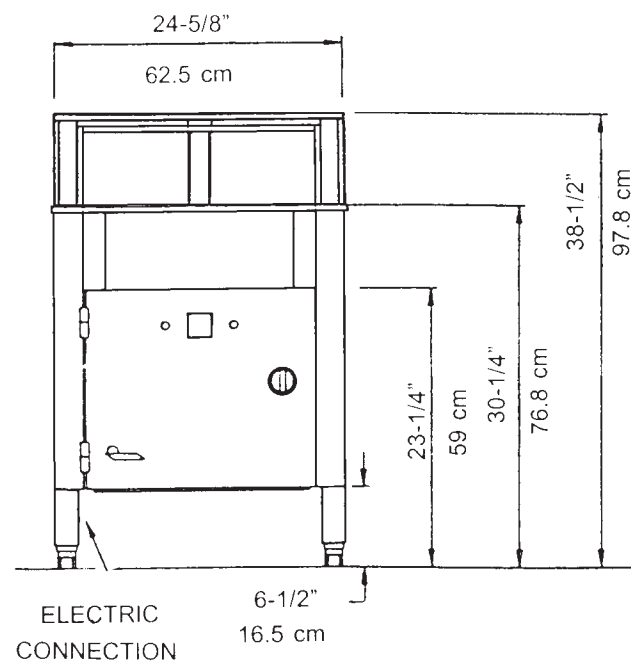


**TOP VIEW**

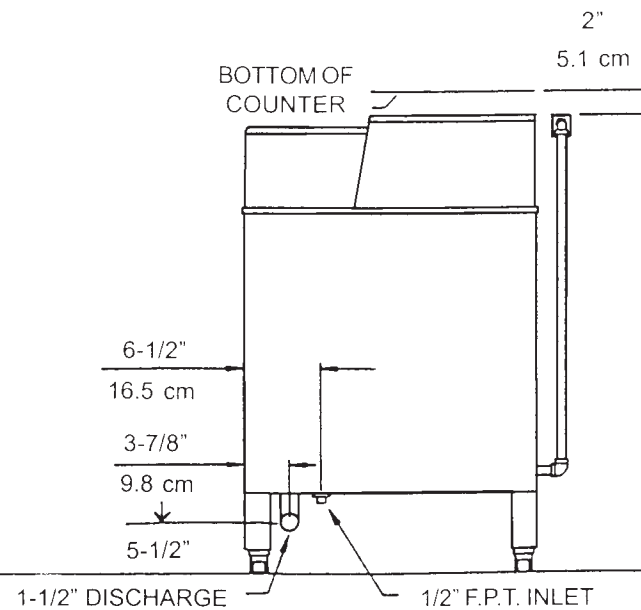
**NOTE:**  
 All dimensions listed have a tolerance of + or - 1/8" unless otherwise noted.

**MODEL ASQ**

RATED CAPACITY (LOADS PER HOUR)	48
WASH TIME (SECONDS)	40
RINSE TIME (SECONDS)	14
DWELL (SECONDS)	21
TOTAL CYCLE TIME (SECONDS)	75
	57.6 GAL. PER HR.



**FRONT VIEW**



**SIDE VIEW**

WATER TEMPERATURE	120°F 49°C
WATER CONSUMPTION	1.2 GALLONS PER CYCLE 4.5 LITERS PER CYCLE
MOTORS	1/2 H.P., 3600 R.P.M. .373 KW
HEATER	350 W .350 KW
ELECTRICAL RATINGS	115 VOLTS SINGLE PHASE 7.5 AMP 60 HZ
WATER INLET	1/2" F.P.T. 1.3 CM
DRAIN	1 1/2" O.D. 3.8 CM
HEIGHT (OVERALL)	38-1/2" 97.8 cm
WIDTH (OVERALL)	25.25"
DEPTH (OVERALL)	64.1 CM
SHIPPING WEIGHT	28" 71.1 CM
SHIPPING DIMENSIONS	266 POUNDS (120.7 kg)
	36"L x 36"W x 46"H 91.4 cm x 91.4 cm x 116.8 cm

\*Manufacturer reserves the right to modify these specifications in compliance with regulatory agencies and manufacturing expediency.