

# Model 5AG-ES by



## HIGH CAPACITY "GREEN" MACHINE



*Model 5AG-ES*

**ENERGY STAR  
RATED AT  
LESS THAN  
1 GALLON PER RACK**

**Double Duty Model. Features  
20 1/2" door opening, air-gap  
fill, dual screening. Washes  
74 racks per hour with two  
powerful 1 HP Pumps.**

**Wash Sheet Pans Horizontally with  
the optional Pan Rack**



At American Dish Service, Quality People, Designs, and Products have been the foundations of our organization for over *45 years*.

[www.americandish.com](http://www.americandish.com)



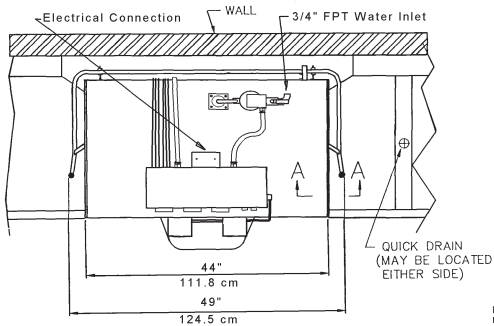
**American Dish Service**  
*Manufacturers of Ware Washing Equipment*

900 Blake Street Edwardsville, KS 66111-3820 **Toll Free (800) 922-2178 Phone (913) 422-3700 Fax (913) 422-6630**

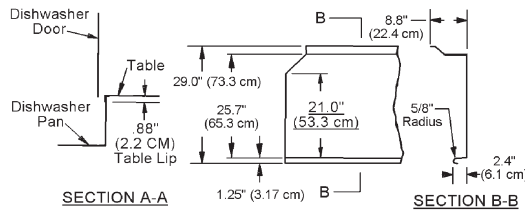
# Model 5AG-ES

**SAME GREAT QUALITY  
SAME GREAT RESULTS  
JUST LESS WATER, ENERGY,  
& CHEMICALS**

- Cleans 74 racks per hour
- Water consumption of LESS than 1 gallon per rack
- Great door clearance at 20 1/2"
- Top mount controls with auto start
- Stainless steel air gap
- Quick release spray arms
- Two high capacity 1 HP pumps
- Door safety switch - external prime switches
- Delime switch located in the control panel



TOP VIEW



SECTION A-A

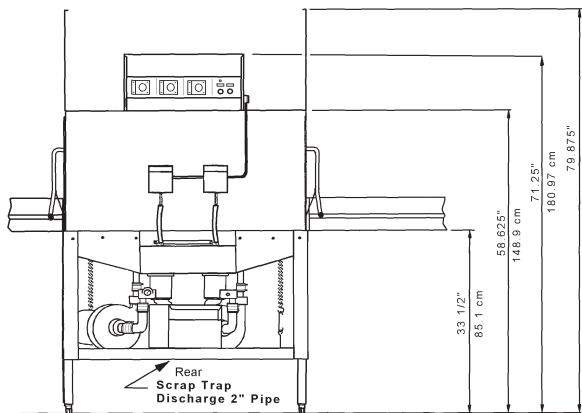
SECTION B-B

TOP VIEW  
TYPICAL TABLE DETAILS

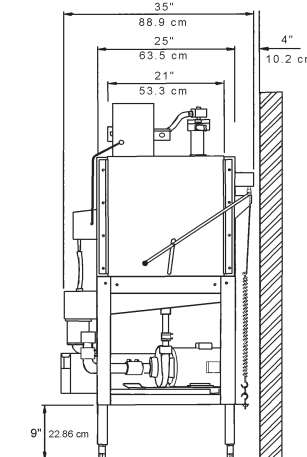
**CAUTION:**  
Electrical and plumbing connections should be made by a qualified Service Person who will comply with all available federal, state, and local Health, Electrical, Plumbing, and Safety codes.



## Model 5AGES Specifications



FRONT VIEW



SIDE VIEW

RATED CAPACITY (Racks Per Hour)	74	56	46
WASH TIME (Sec.)	50	60	75
RINSE TIME (Sec.)	7	46	60
DWELL (Sec.)	7	15	15
TOTAL CYCLE TIME (Sec.)	90	120	150

WASH TANK CAPACITY (Min.)	1.78 Gallons
WATER TEMPERATURE	120 Deg. F Min. 49 Deg. C Min.
WATER CONSUMPTION	1.78 Gallons Per Cycle 6.74 Liters Per Cycle
MOTOR (2)	1.0 HP .75 KW
ELECTRICAL RATINGS	115 Volts 18 Amp Single Phase

**CONNECT TO ELECTRICAL SUPPLY SOURCE**  
Using 10-8 AWG Copper Wire  
Circuit Protection: 30 AMP Circuit Breaker  
or Fuse with a 30 AMP Rating

RACK SIZE (2)	19 3/4" x 19 3/4"
DOOR CLEARANCE	50.2 x 50.2 cm 20 1/2" x 21"
WATER INLET	3/4" FPT
DRAIN (Scrap Trap)	2" Pipe
HEIGHT (Doors Open)	79.875"
HEIGHT (Doors Closed)	71.25"
WIDTH (Overall)	49"
DEPTH (Overall)	124.5 cm 34"
SHIPPING WEIGHT	86.4 cm 428 Lbs. 194.1 kg
SHIPPING DIMENSIONS	60" L x 36" W x 78" H 152.4 cm x 91.4 cm x 198.1 cm

**NOTE:**  
\*Manufacturer reserves the right to modify these specifications in compliance with regulatory agencies and manufacturing expediency

Effective: 3/2011

© 3/2011

**WARNING:** Cancer and Reproductive Harm - [www.P65Warnings.ca.gov](http://www.P65Warnings.ca.gov)

900 Blake Street Edwardsville, KS 66111-3820

ADS has built a strong history based on Customer Service, Quality and Reliability.  
A Commitment to Excellence is the driving force behind American Dish Service.

Toll Free (800) 922-2178 Phone (913) 422-3700 Fax (913) 422-6630