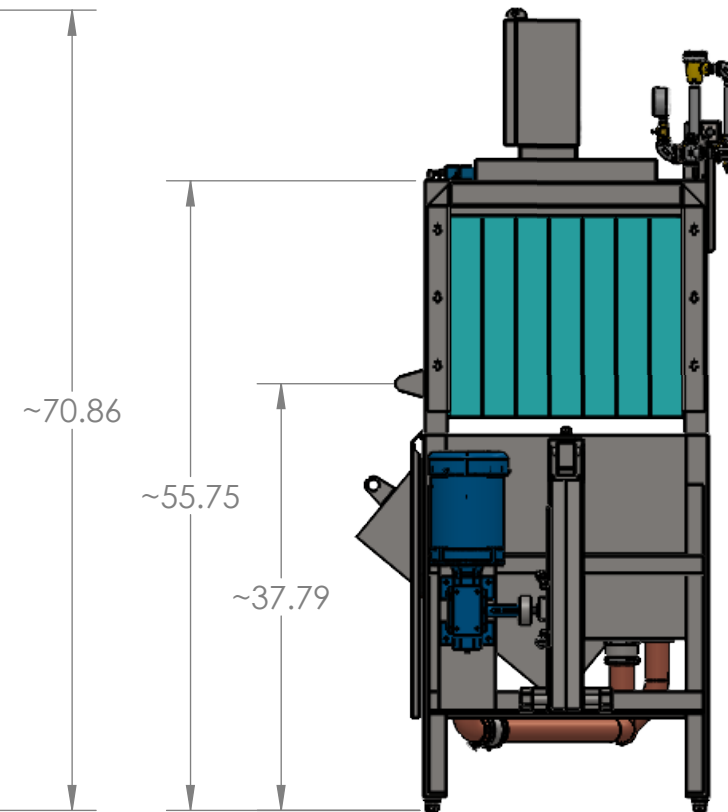
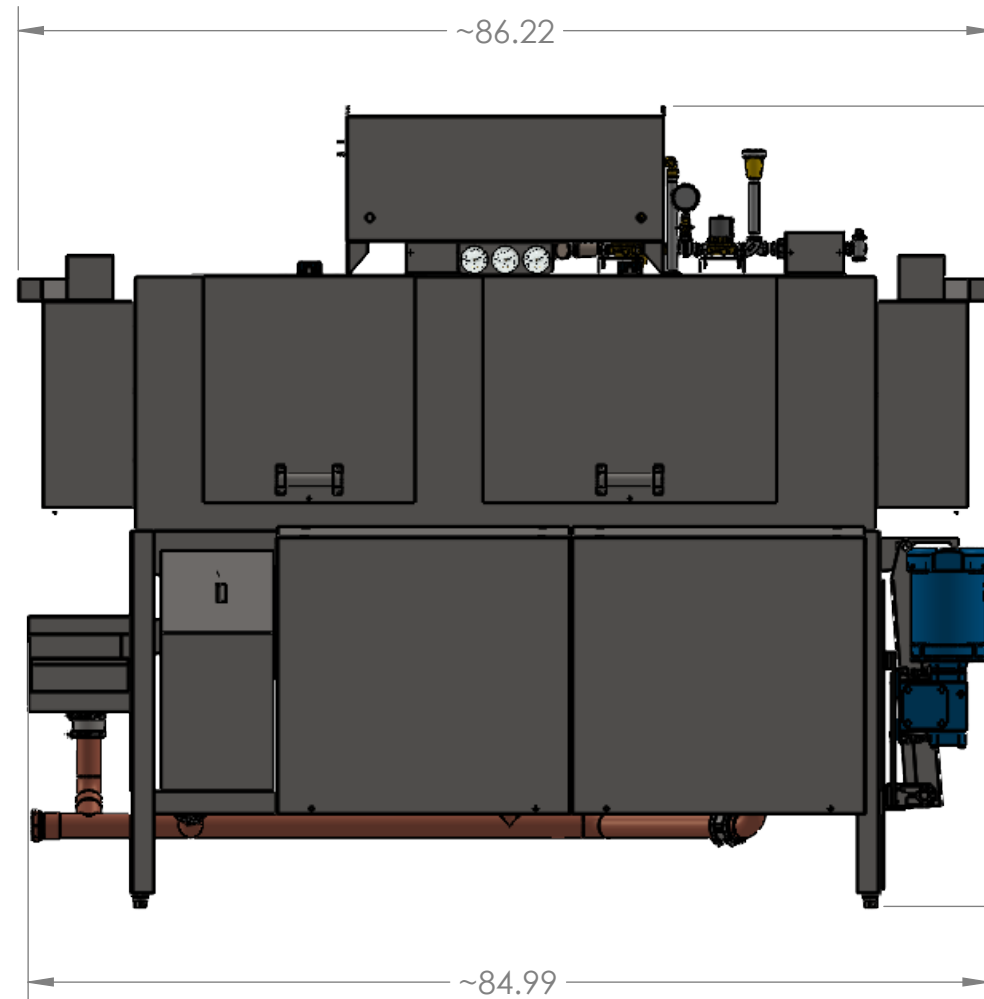
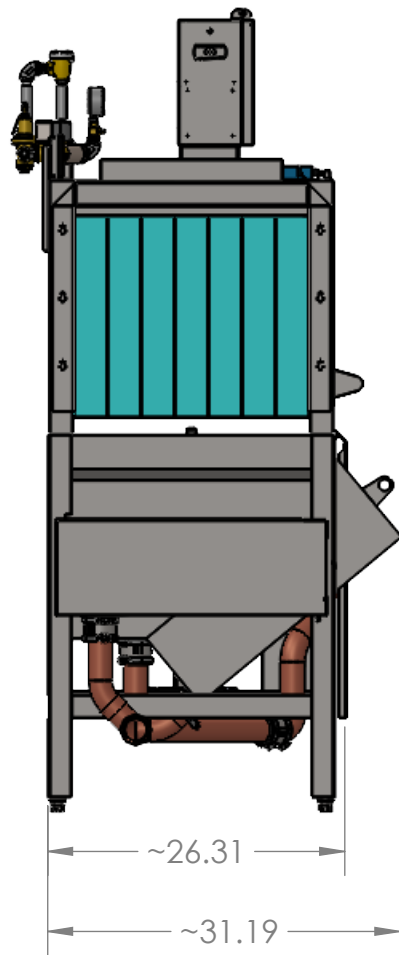
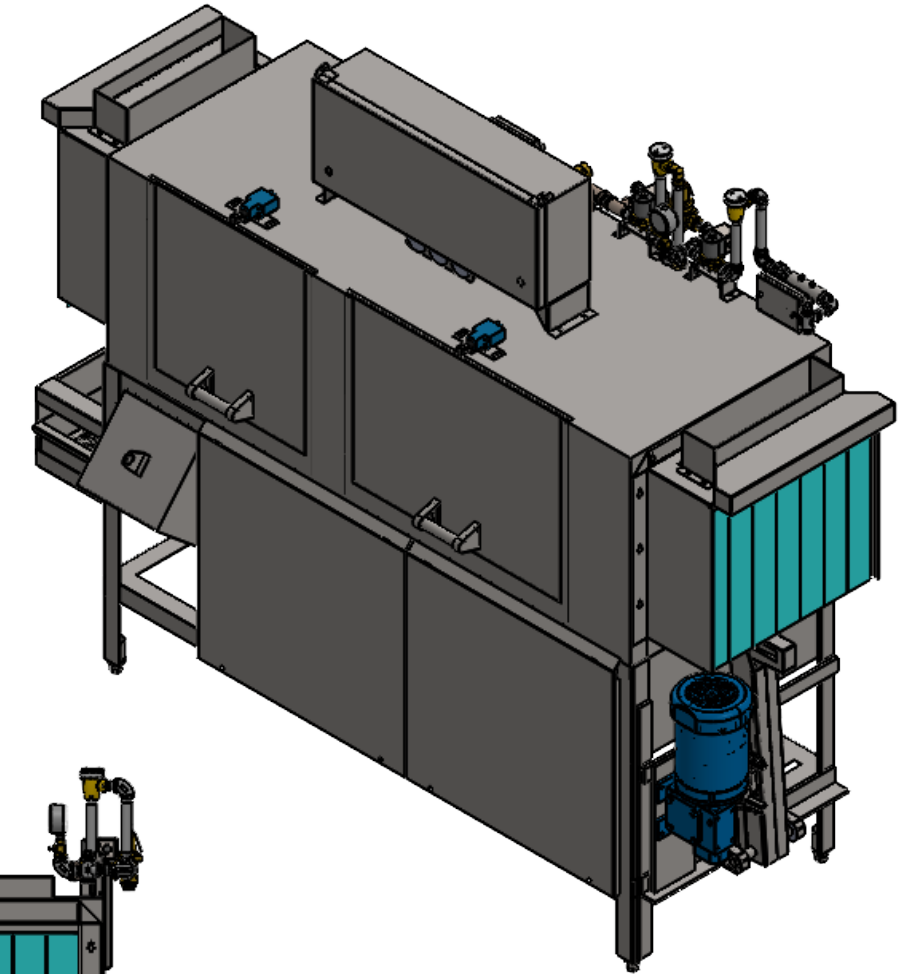
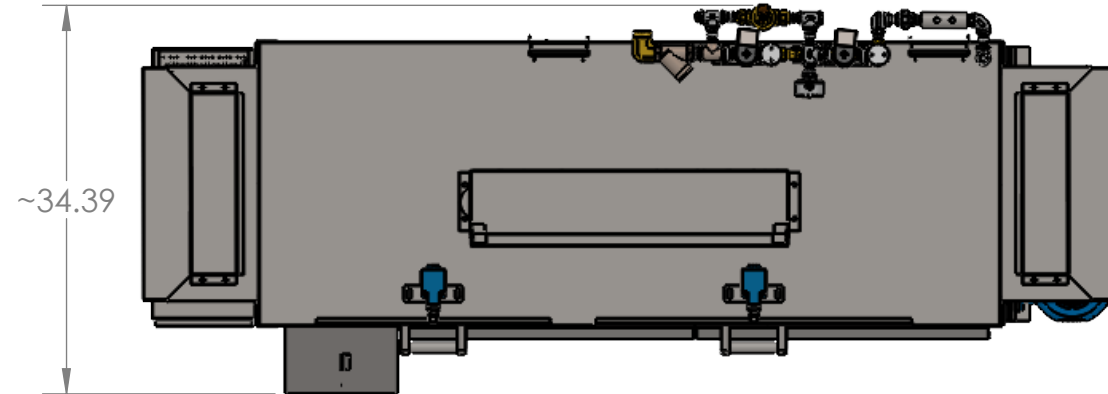


REVISIONS

REV.	DESCRIPTION	DRAWN	DRAWN DATE	ENGINEERING APPROVAL	ENGINEERING APPROVAL DATE
------	-------------	-------	------------	----------------------	---------------------------



UNLESS OTHERWISE SPECIFIED:		
AUTHOR	NAME	DATE
DRAWN	Sanchit L.	05-06-2024
CHECKED		
ENG APPR.		
MFG APPR.		
	Q.A.	

TITLE:		ADC-66
SIZE	DWG. NO.	REV
B	213-0066	A

PROPRIETARY AND CONFIDENTIAL
 THE INFORMATION CONTAINED IN THIS DRAWING IS THE SOLE PROPERTY OF AMERICAN DISH SERVICE. ANY REPRODUCTION IN PART OR AS A WHOLE WITHOUT THE WRITTEN PERMISSION OF AMERICAN DISH SERVICE IS PROHIBITED.

FINISH:

 DO NOT SCALE DRAWING



SCALE: 1:17	WEIGHT: 414.7	SHEET 1 OF 1
-------------	---------------	--------------