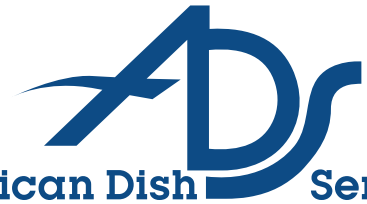


# ASQ II Glasswasher



**American Dish Service™**  
Manufacturers of Ware Washing Equipment

## Revolutionary in Concept Revolutionary in Design

**Combining the cleaning power of a  
dishmachine with the convenience  
of a carousel system**



The ASQ II Glasswasher is revolutionary in both concept and design. It offers the cleaning action of a dishmachine in a carousel system. The carousel is divided into three positions by stainless steel panels. These panels isolate each compartment, controlling the water and washing action of the rotating spray.

With the push of the lever, the manual carousel easily rotates and locks into the next position. While the glasswasher does the cleaning, the bartender can unload spot-free glasses and load the glassware to be washed, efficiently cleaning full loads.

### STANDARD FEATURES

- Full load washing - saves power, water, and chemicals
- Fast - only 75 seconds per cycle
- Rotating spray arm - provides outstanding results
- Divided carousel, creates a washing chamber that cleans with a recirculating, high-volume water spray
- Load, unload & wash simultaneously

For detailed specifications, go to  
[www.americandish.com](http://www.americandish.com)

© **American Dish Service**

900 Blake Street | Edwardsville, Kansas, 66111  
Phone: 913.422.3700 | Toll-Free: 800.922.2178 | Fax: 913.422.6630  
[orders@americandish.com](mailto:orders@americandish.com) | [americandish.com](http://americandish.com)

# ASQ II Glasswasher

**Revolutionary in Concept  
Revolutionary in Design**

## Standard Features

- Low temp ware washer
- Manual turn carousel - eliminates washing one glass at a time
- Sustainer heater - maintains tank temperature
- Built-in chemical storage (one gallon containers)



Pre-plumbed dump sink and stainless steel drain



Glassware crossarm with standard spray arm bearing and bayonet pin

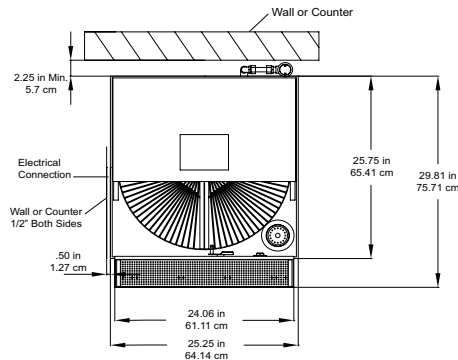


Separate stainless steel wash and drain pumps for quieter operation.

## Model ASQ II Specifications

U.S. REGISTERED PATENTS

Rated Capacity (Loads per Hour) . . . . .	34
Wash Time (Seconds) . . . . .	45
Rinse Time (Seconds) . . . . .	14
Dwell (Seconds) . . . . .	16
Total Cycle Time (Seconds) . . . . .	75
	43.2 Gal/Hr
Water Temperature . . . . .	120° F (49° C)
Water Consumption (per cycle) . . . . .	1.27 Gal (4.8 Liters)
Motors (Wash) . . . . .	1/3 HP, 3450 RPM (.246 Kw)
(Drain) . . . . .	1/6 HP 3450 RPM (.124 Kw)
Heater . . . . .	350 W
Electrical Ratings . . . . .	115 V Single Phase, 7.5 Amp, 60 Hz
Water Inlet . . . . .	0.5" FPT (1.3 cm)
Drain . . . . .	1.5" O.D. (3.8 cm)
Height (Overall) . . . . .	38.5" (35.7 cm)
Width (Overall) . . . . .	25.25" (64.1 cm)
Depth (Overall) . . . . .	29.8" (75.7 cm)
Shipping Weight . . . . .	288 lbs (130.6 Kg)
Shipping Dimensions . . . . .	36" L x 36" W x 46" H (91.4 cm x 91.4 cm x 116.8 cm)



**CAUTION:**

Electrical and Plumbing connections must be made by a qualified Service Person who will comply with all available federal, state, and local Health, Electrical, Plumbing, and Safety Codes.

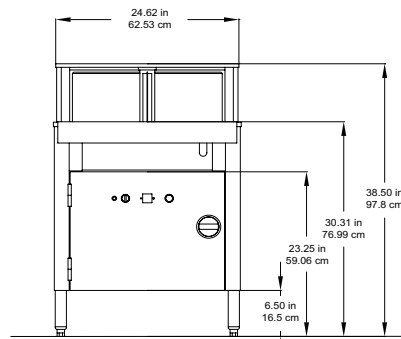
**Note:**

All dimensions listed have a tolerance of (+) or (-) 1/8" unless otherwise noted.

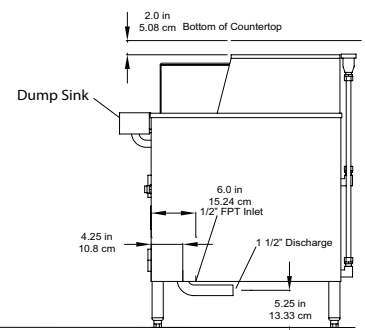
**Note:**

Manufacturer reserves the right to modify these specifications in compliance with regulatory agencies and manufacturing expediency.

**CONNECT TO ELECTRICAL SUPPLY SOURCE**  
USING 14-12 AWG COPPER WIRE  
CIRCUIT PROTECTION: 15 AMP CIRCUIT BREAKER  
OR FUSE WITH A 15 AMP RATING



**FRONT VIEW**



**SIDE VIEW**

Effective 2/2023

**Warning:** Cancer and Reproductive Harm - [www.P65Warnings.ca.gov](http://www.P65Warnings.ca.gov)



**© American Dish Service**

900 Blake Street | Edwardsville, Kansas, 66111  
913.422.3700 | Toll-Free: 800.922.2178 | Fax: 913.422.6630  
[orders@americandish.com](mailto:orders@americandish.com) | [americandish.com](http://americandish.com)