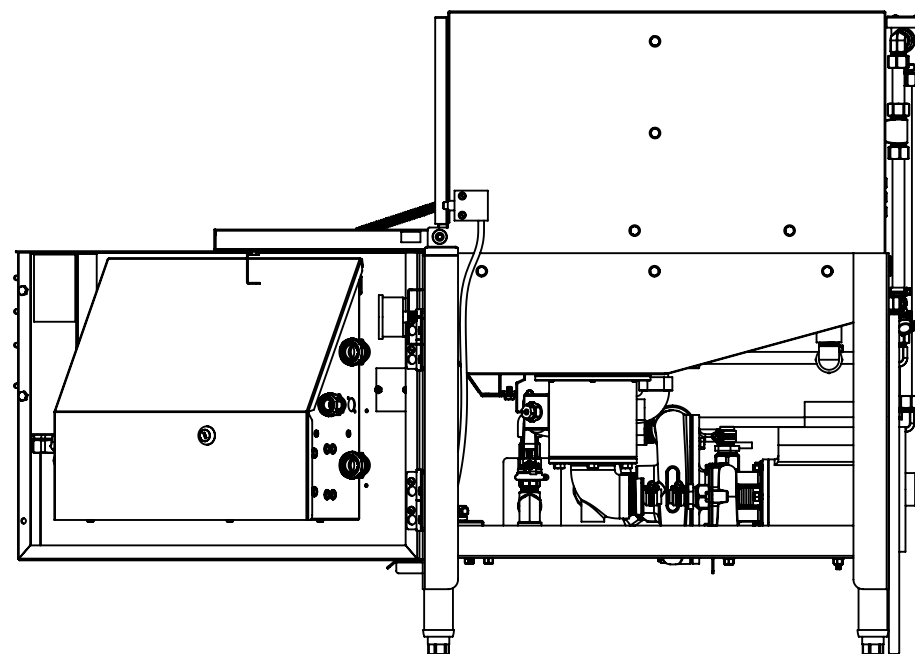
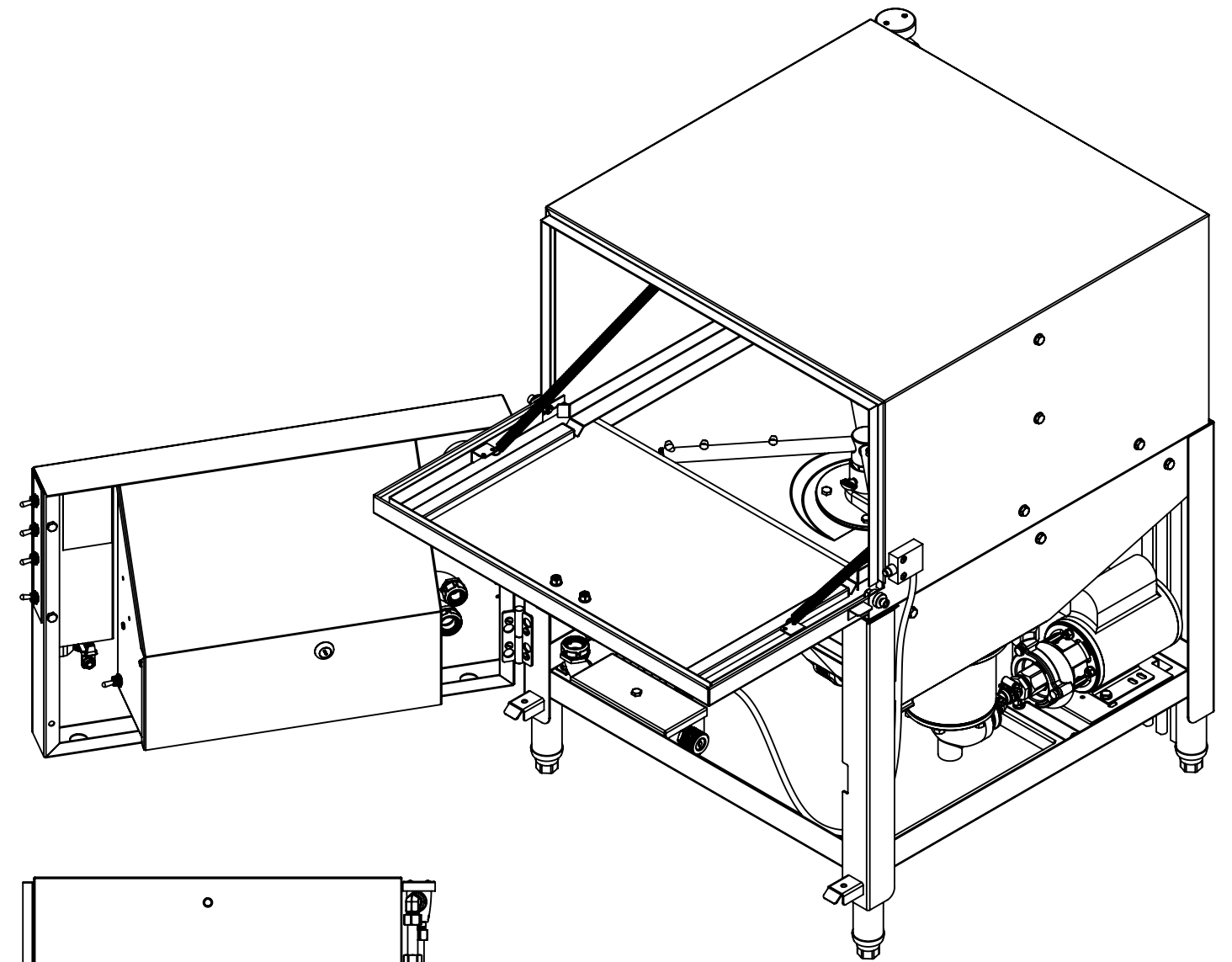
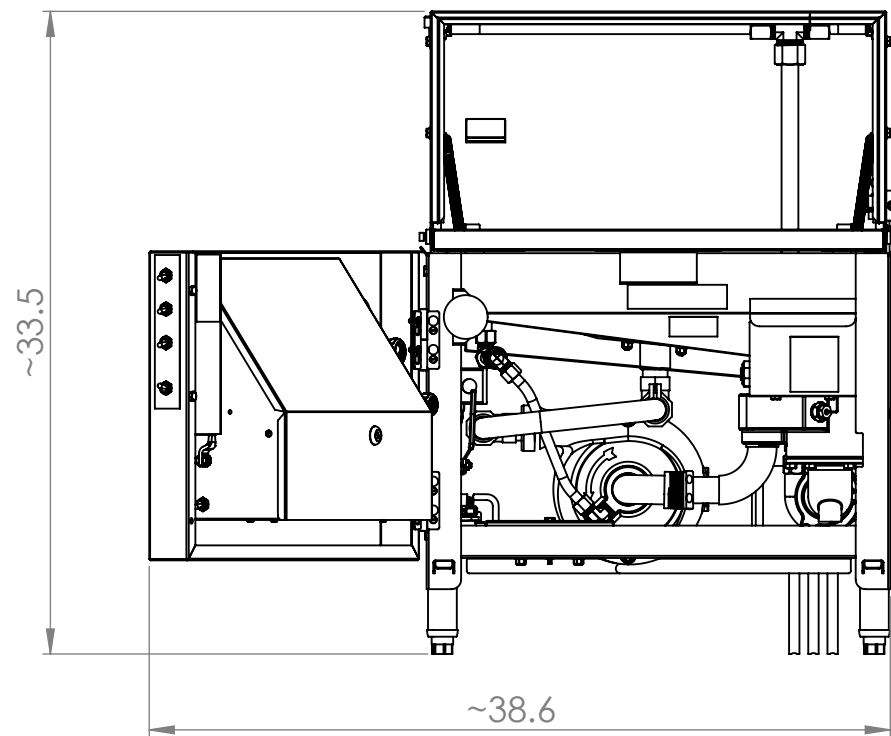
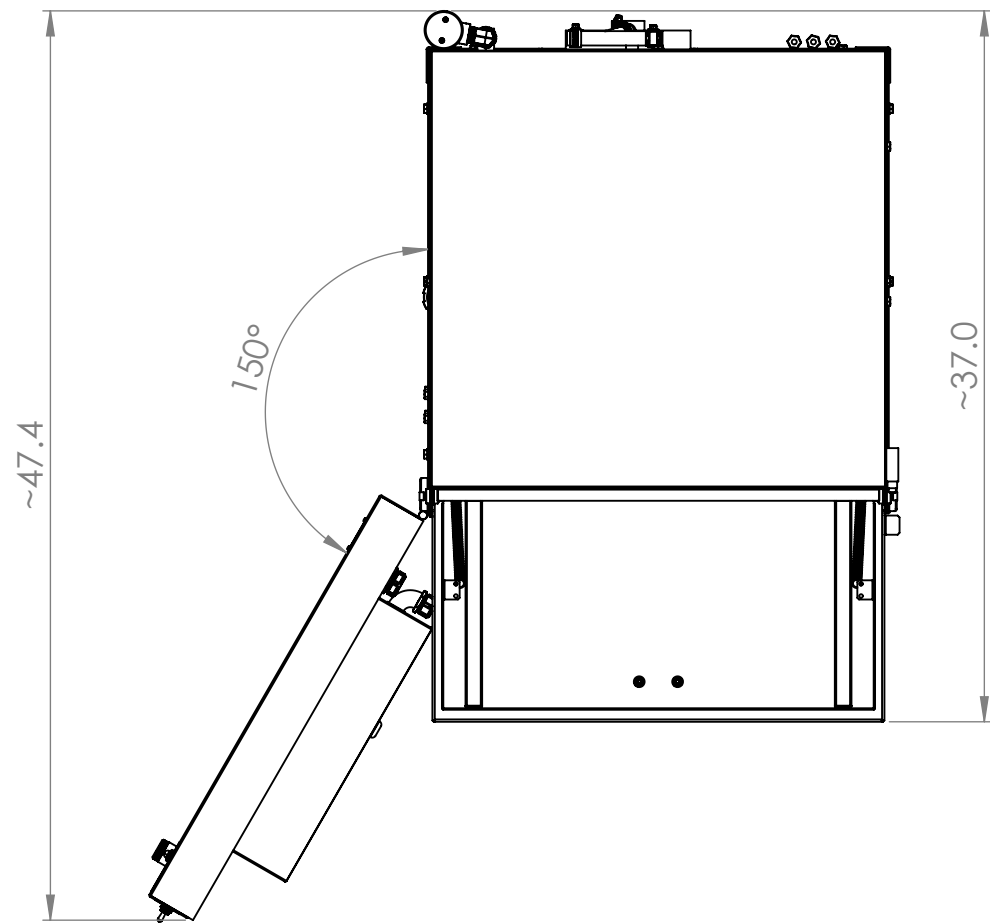


UNLESS OTHERWISE SPECIFIED:		NAME	DATE	TITLE: ET-AF-M-PH
DIMENSIONS ARE IN INCHES		AUTHOR	ABHISHEK S.	
TOLERANCES:		DRAWN	ABHISHEK S.	4/29/2024
FRACTIONAL +/- 1/64		CHECKED		
ANGULAR: MACH +/- .25 BEND +/- 1		ENG APPR.		
TWO PLACE DECIMAL: +/- .010		MFG APPR.		
THREE PLACE DECIMAL: +/- .005		Q.A.		
MATERIAL:				
FINISH:				
<p>PROPRIETARY AND CONFIDENTIAL THE INFORMATION CONTAINED IN THIS DRAWING IS THE SOLE PROPERTY OF AMERICAN DISH SERVICE. ANY REPRODUCTION IN PART OR AS A WHOLE WITHOUT THE WRITTEN PERMISSION OF AMERICAN DISH SERVICE IS PROHIBITED.</p>		 American Dish Service Manufacturers of Ware Washing Equipment		SIZE B DWG. NO. 022-0091 REV A
DO NOT SCALE DRAWING				SCALE: 1:8



PROPRIETARY AND CONFIDENTIAL
 THE INFORMATION CONTAINED IN THIS DRAWING IS THE SOLE PROPERTY OF AMERICAN DISH SERVICE. ANY REPRODUCTION IN PART OR AS A WHOLE WITHOUT THE WRITTEN PERMISSION OF AMERICAN DISH SERVICE IS PROHIBITED.

UNLESS OTHERWISE SPECIFIED:
 DIMENSIONS ARE IN INCHES
 TOLERANCES:
 FRACTIONAL +/- 1/64
 ANGULAR: MACH +/- .25 BEND +/- 1
 TWO PLACE DECIMAL: +/- .010
 THREE PLACE DECIMAL: +/- .005
 MATERIAL:
 FINISH:
DO NOT SCALE DRAWING

NAME	DATE
AUTHOR ABHISHEK S.	
DRAWN ABHISHEK S.	4/29/2024
CHECKED	
ENG APPR.	
MFG APPR.	
Q.A.	

TITLE:		ET-AF-M-PH	
SIZE	DWG. NO.	REV	
B	022-0091	A	
SCALE: 1:10	WEIGHT:	SHEET 2 OF 2	

