

HT-25

Next Generation Dual Sanitizer Mode Ware Washer

Increase your warewashing capacity
without expanding your kitchen.

STANDARD FEATURES

- Wash, rinse, and sanitize in as little as 60 seconds
- Fastest in the industry
- Powerful 3 HP pump
- Scrubs away what other machines leave behind
- Low water usage - only 0.85 gallon per rack
- Approved dual sanitizer - same machine serves as either high* or low temp
- Versatile door design - installs corner or straight

**The features of the HT-25
eliminate re-washes. A powerful
design with powerful results!**



Available with
Stainless Steel
Built-on Booster.



© **American Dish Service**

900 Blake Street | Edwardsville, Kansas, 66111
Phone: 913.422.3700 | Toll-Free: 800.922.2178 | Fax: 913.422.6630
orders@americandish.com | americandish.com

For detailed specifications, go to
www.americandish.com

HT-25

Next Generation Dual Sanitizer Mode Ware Washer

Standard Features

- 60 second cycle time
- Patented self cleaning spray system
- Auto fill and auto shut off
- Two stage ss drain filter - eliminates clogged pumps
- Powerful 3 HP wash pump
- 18" door opening
- Ads patented low-water protection
- Patented captive spray arm end caps - no parts to lose
- Configured for corner or inline - installs without conversion
- No troublesome circuit boards - prevents down time

Model HT-25 Specifications

U.S. REGISTERED PATENTS

	Hot Temp	Chemical
Rated Capacity (Racks/Hr.)	55 NSF rated	55 NSF rated
Wash Tank Capacity	11 Gal. (41.63 lit.)	11 Gal. (41.63 lit.)
Water Temperature, Wash	160.0° F (71° C)	120.0° F (48.8° C)
Water Temperature, Rinse	180.0° F (82.2° C)	120.0° F (48.8° C)
Sanitizer	180.0° F	50 PPM Chlorine
Water Consumption	.85 GPR (3.593 LPR)	.85 GPR (3.593 LPR)

Wash Motor 3HP
 Electrical Requirements **3-PH, 208/240V, 40A, 60 Hz**
 (4-Wire Connection, Three #8 Wires, Ground, 40A Breaker)

SINGLE PH, 208/240V, 90A, 60 Hz

(Dual Circuit: 30A Breaker, 60A Breaker, Neutral & Ground Wires)

COMBO OPTION: HT-25/34 W/Attached 12 kw Booster (3ph Only)

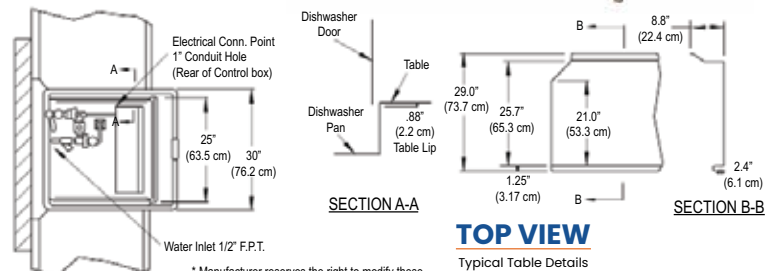
(4-Wire Connection, Three #8 Wires, Ground, 50A Breaker, Single-Point Connection of Both the D/M & Booster)

NOTE: FOR HIGH TEMP SANITATION, A SEPARATE BOOSTER IS REQUIRED FOR THIS MODEL

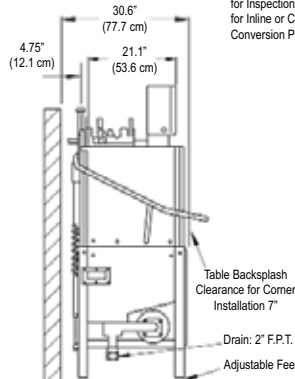
Wash Heater	8 KW
Rack Size	19-3/4" X 19-3/4" (50.2 Cm X 50.2 cm)
Door Clearance	18" (45.72 cm)
Water Inlet(1)	0.5" F.P.T.
Drain Size	2.0" F.P.T.
Height (All Doors Closed)	74" (187.96 cm)
Width, Table To Table (Inline Model)	25" (63.5 cm)
Width W/Scrap Accumulator (Overall)	37" (93.9 cm)
Depth (Overall)	33.5" (85.0 cm)
Shipping Weight (STD/BoBooster)	460 Lbs./528 Lbs. (208.7 kg/239.5 kg)
Shipping Dimensions	49" L X 36" W X 82" H (124.5 cm X 91.4 cm X 208.3 cm)

HT-25

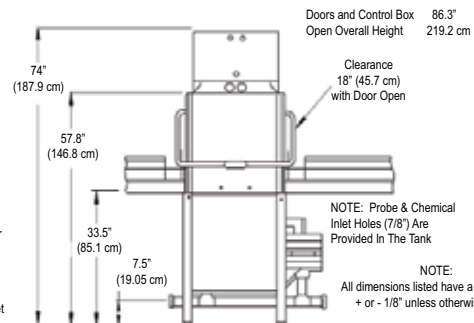
with Built-on
Booster Heater



TOP VIEW



SIDE VIEW



FRONT VIEW

* Manufacturer reserves the right to modify these specifications in compliance with regulatory agencies and manufacturing expediency.

NOTE: All Three Doors Open in Unison for Inspection & Cleaning Purposes and Allows for Inline or Corner Applications without Conversion Procedures.

CAUTION:

Electrical and Plumbing connections must be made by a qualified Service Person who will comply with all available federal, state, and local Health, Electrical, Plumbing, and Safety Codes.

*Requires external hot water source that will provide at least 47 gallons of 180 degree water an hour

Effective 2/2013

Warning: Cancer and Reproductive Harm - www.P65Warnings.ca.gov



American Dish Service™
Manufacturers of Ware Washing Equipment



© American Dish Service

900 Blake Street | Edwardsville, Kansas, 66111
 913.422.3700 | Toll-Free: 800.922.2178 | Fax: 913.422.6630
orders@americandish.com | americandish.com