

HUB-40

Item # 411-1040

Undercounter High Temperature Dishwashing Machine with Built-in Booster Heater



Photo is for general visual representation only. Please refer to specifications for the latest detailed product information.



STANDARD FEATURES

- ENERGY STAR® Qualified
- "Extenda-Cycle" – extends the cycle time to ensure 180°F/82°C final rinse
- Universal power 208-240 volt and/or single to three phase field convertible
- Smooth start for protection from breakage
- Built-in booster for 180°F/82°C final rinse water (standard 70°F/39°C rise)
- Detergent and rinse aid pumps accompanied by priming switches
- Noise-reducing double wall design
- Interchangeable Stainless steel wash/rinse arms
- Ease of use controls
- Complete cycle time 90 seconds
- Delime capability
- 1 HP motor with pump drain

OPTIONS & ACCESSORIES

- Dish Table with Sink*
 - 099-8020: 48" Right Hand
 - 099-8021: 48" Left Hand
- 17" Stand Stainless Steel
- Leg Stand (8")
- 3 Phase Connection (prewired at factory)
- 1" Caster Kit

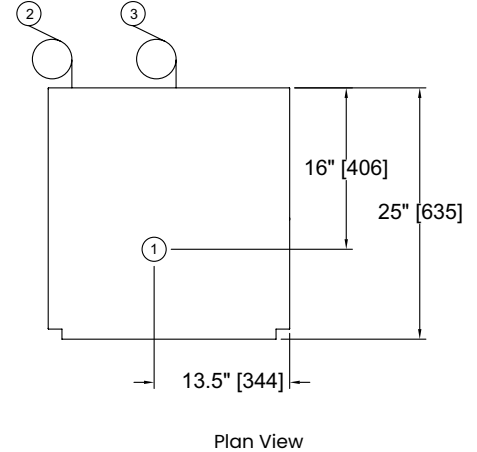
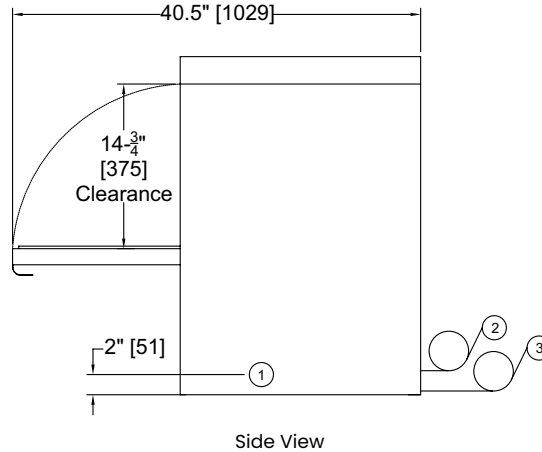
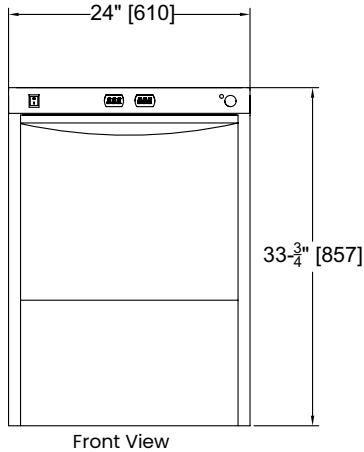
*Not available with 17" Stand / 8" leg stand or casters

© American Dish Service

900 Blake Street | Edwardsville, Kansas, 66111
Phone: 913.422.3700 | Toll-Free: 800.922.2178 | Fax: 913.422.6630
orders@americandish.com | americandish.com

HUB-40

Undercounter High Temperature Dishwashing Machine with Built-in Booster Heater



SPECIFICATIONS

Capacities*

Cycle time (seconds)	90
Racks per hr.	40

Motor horsepower

Wash	.1
------	----

Water consumption

U.S. Gal./Imperial Gal.	
(Max. use) per hr.	23.4/19.2
U.S. Gal./Imperial Gal.	
per rack.	0.78/0.64

Temperatures °F/°C

Wash	.150/66
Rinse	.180/82

Heating

Tank heat, electric, kW	2.0
Electric booster	
(kW) (required for 70°F/39°C rise)	6
Electric booster	
(kW)	9

Time Cycle in Seconds

Wash	.70
Rinse	.14
Total cycle	90

Standard 20" x 20" [508 x 508] Rack Complement

Dish	.1
Open	.1

* at 140°F incoming water

UTILITIES

1 Electrical	208-240/60/1; 3 wire plus ground, (See Box). 208-240/60/3; 4 wire plus ground, (See Box). Field convertible to accept 3 phase power, see service manual for details
2 Hot Water	1/2" supply; 110°F/43°C Min. hot water connection for 70°F/39°C rise booster. Incoming supply pressure must maintain a Flow pressure of 20-22 PSI. Machine equipped with 3/4" [19] hose connector.
3 Pumped Drain	5/8" [15.9] I.D. flexible reinforced hose, 6 ft. [1829] long. Max. drain flow 15 US gpm. [12.5 imp gal] Max. drain height 3 ft. [914]

6kW HUB-40 with 70°F/39°C Booster Rise

Elec. Specs	Rated Amps	Minimum Supply Ckt. Conductor Ampacity	Maximum Overcurrent Protective Device
208/60/1	32	40	40
240/60/1	36	40	40
208/60/3	22	30	30
240/60/3	24	40	30

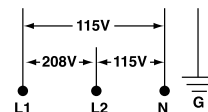
Volume crated: 15 cu. ft./0.42 cu.m

Shipping weight crated: 215 lbs./97.5 kg.

Dimensions shown in inches and [millimeters]

Due to an ongoing value analysis program, specifications contained in this catalog are subject to change without notice.

Warning Plumbing and electrical connections should be made by qualified personnel who will observe all the applicable plumbing, sanitary and safety codes and the National Electrical Code.



Note: Electrical supply service must be a 3-wire plus ground for connection shown.



© American Dish Service

900 Blake Street | Edwardsville, Kansas, 66111
913.422.3700 | Toll-Free: 800.922.2178 | Fax: 913.422.6630
orders@americandish.com | americandish.com