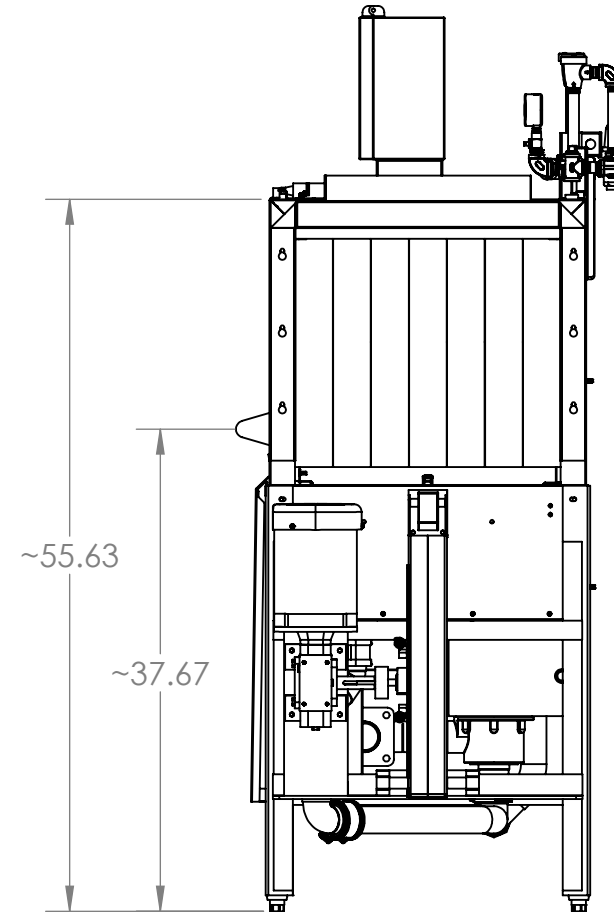
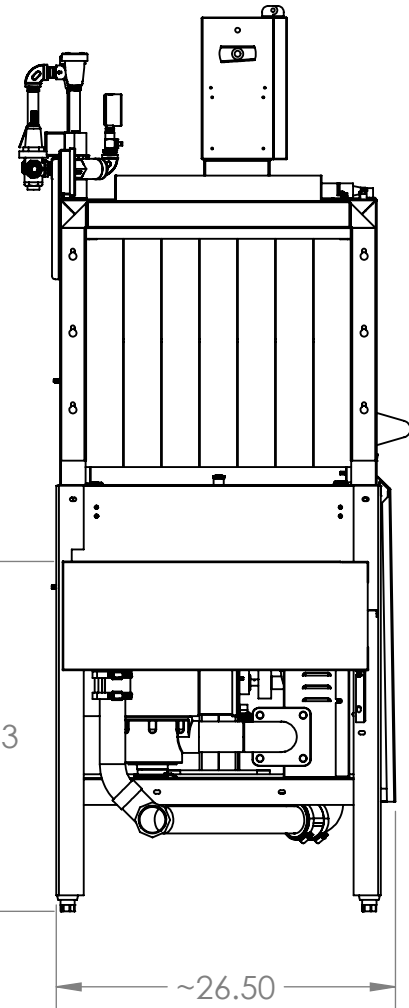
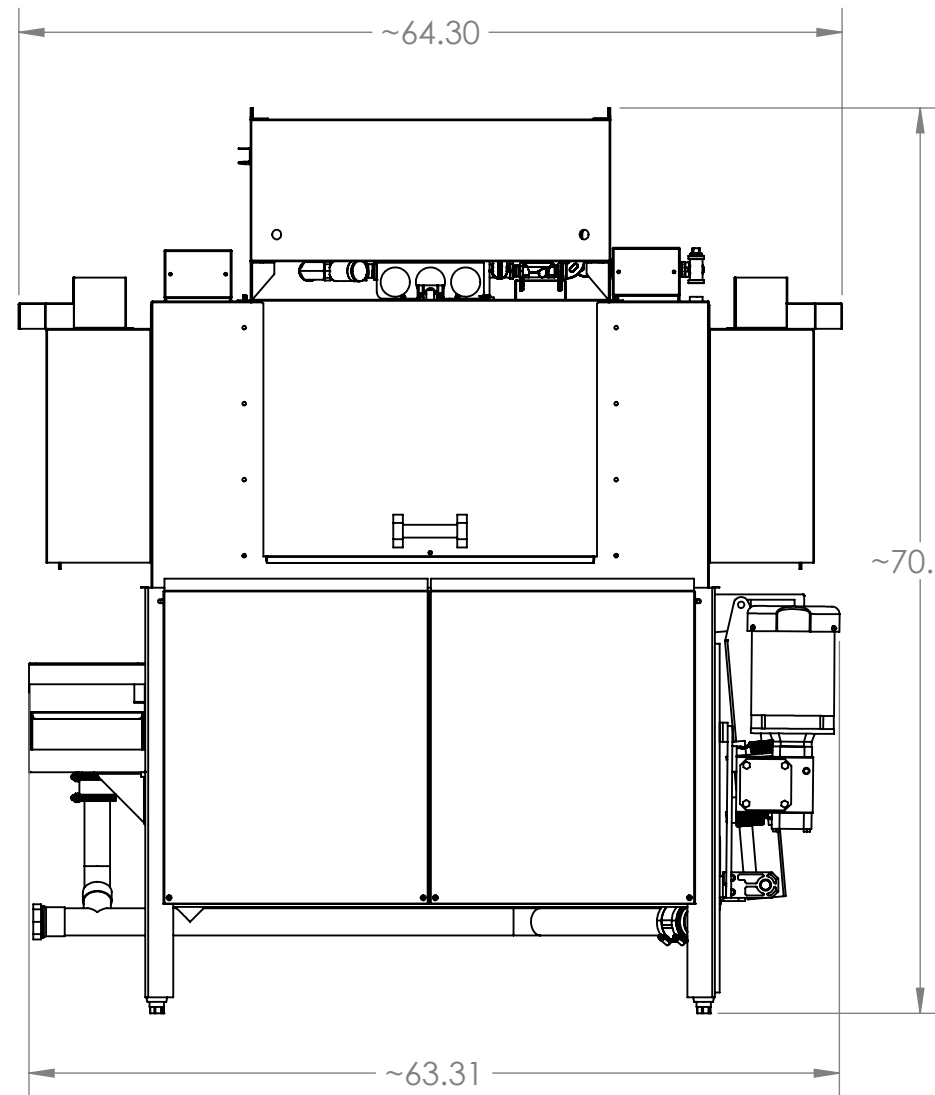
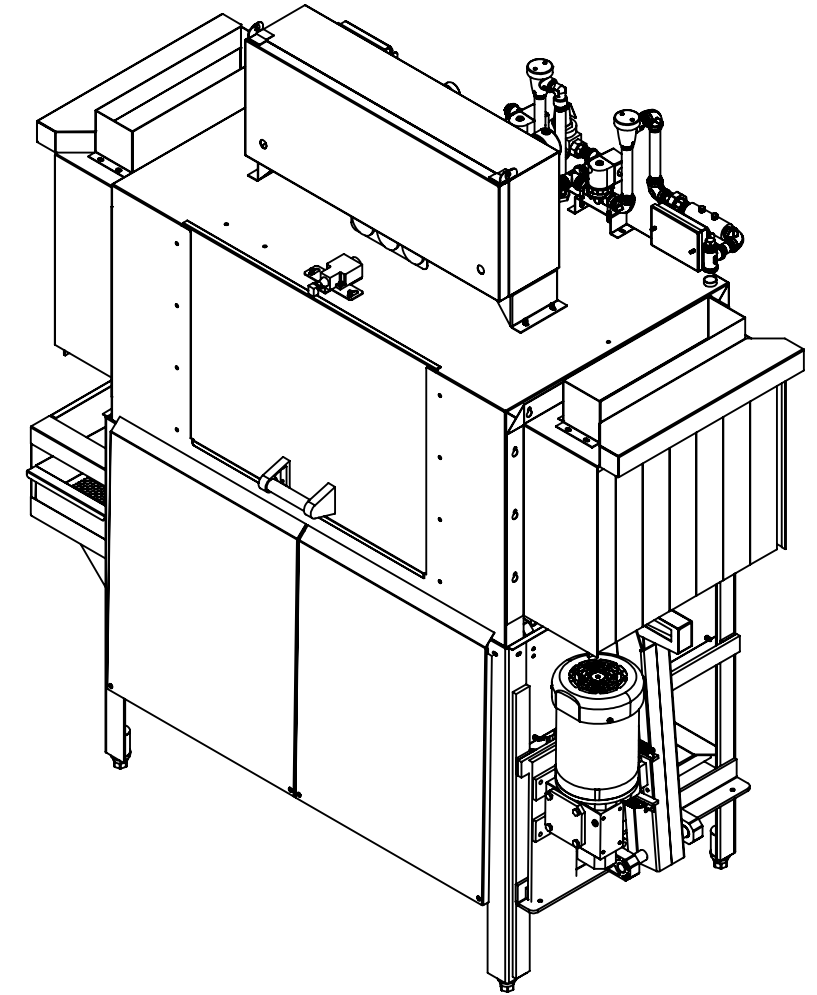
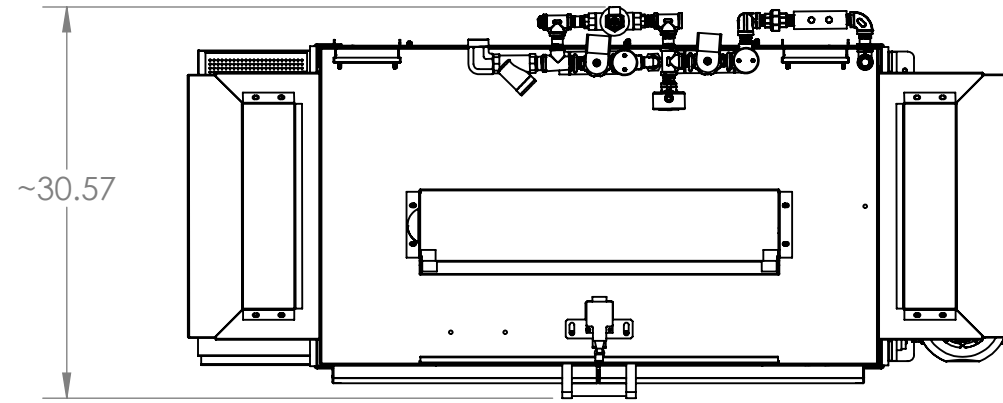


REVISIONS

REV.	DESCRIPTION	DRAWN	DRAWN DATE	ENGINEERING APPROVAL	ENGINEERING APPROVAL DATE
------	-------------	-------	------------	----------------------	---------------------------



UNLESS OTHERWISE SPECIFIED:		NAME	DATE	TITLE:	
DIMENSIONS ARE IN INCHES		AUTHOR	Sanchit L.	ADC-44	
TOLERANCES:		DRAWN	Sanchit L.		
FRACTIONAL +/- 1/64		CHECKED			
ANGULAR: MACH +/- .25 BEND +/- 1		ENG APPR.			
TWO PLACE DECIMAL: +/- .010		MFG APPR.			
THREE PLACE DECIMAL: +/- .005		Q.A.			
MATERIAL:				SIZE	DWG. NO.
FINISH:				B	211-0044
DO NOT SCALE DRAWING				SCALE: 1:15	WEIGHT: 406.67
				SHEET 1 OF 1	

PROPRIETARY AND CONFIDENTIAL
 THE INFORMATION CONTAINED IN THIS DRAWING IS THE SOLE PROPERTY OF AMERICAN DISH SERVICE. ANY REPRODUCTION IN PART OR AS A WHOLE WITHOUT THE WRITTEN PERMISSION OF AMERICAN DISH SERVICE IS PROHIBITED.



REV
A