



American Dish Service™
Manufacturers of Ware Washing Equipment

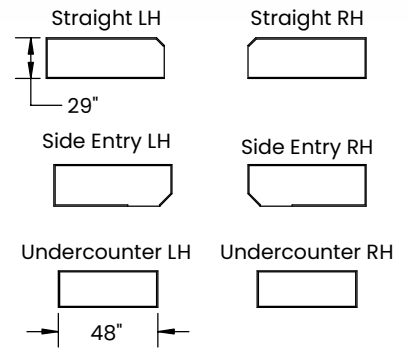
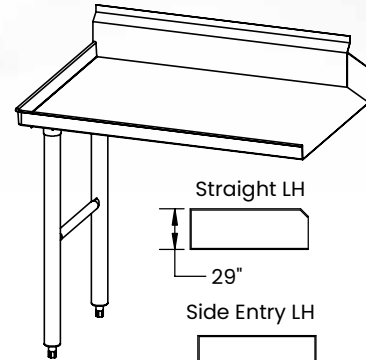
DISHTABLES

Multiple Configurations & Styles

The Choice is Yours

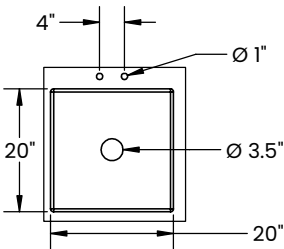
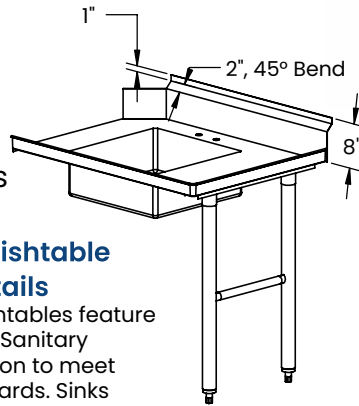


Clean Dishtables



Soiled Dishtables

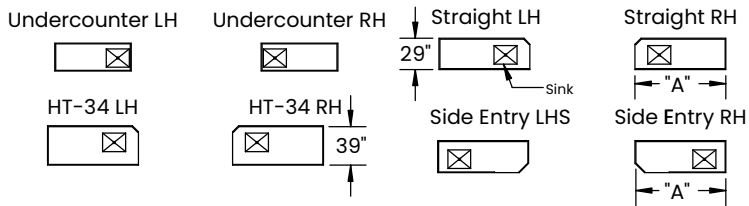
Backsplash dimensions standard across all dishtables



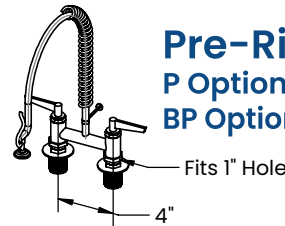
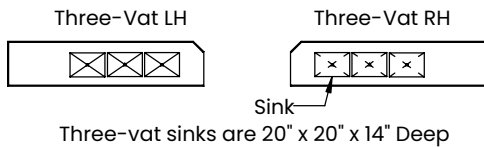
Soiled Dishtable Sink Details

Soiled dishtables feature sinks with Sanitary construction to meet NSF standards. Sinks have a 5" setback from edge of dishtable.

Available Styles



Three-Vat Soiled Tables



Pre-Rinse Sink Options:

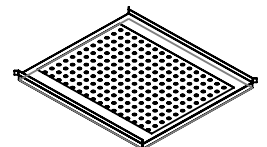
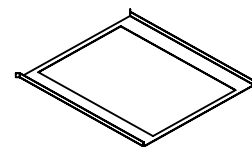
P Option: Rinse Faucet with Rack
BP Option: Rinse Faucet with Basket

P Option Package:

- Rack Pre-Rinse Tray
- Assembly, Spray Valve
- Assembly, Flex Stainless Steel Hose
- Spring, Overhead
- Spring, Body
- Nipple, 3/8" x 24"
- Assembly, Finger hook & Screw
- Assembly, Base Faucet

BP Option Package:

- Basket Pre-Rinse Tray
- Assembly, Spray Valve
- Assembly, Flex Stainless Steel Hose
- Spring, Overhead
- Spring, Body
- Nipple, 3/8" x 24"
- Assembly, Finger hook & Screw
- Assembly, Base Faucet



© American Dish Service

900 Blake Street | Edwardsville, Kansas, 66111
Phone: 913.422.3700 | Toll-Free: 800.922.2178 | Fax: 913.422.6630
orders@americandish.com | americandish.com

For ordering options and detailed specifications, go to www.americandish.com



American Dish Service™
Manufacturers of Ware Washing Equipment

DISHTABLES

Multiple Configurations & Styles

Ordering Options



Item No.	Product name
099-8000	Dishtable, 26" LH Soiled - ADS-S2
099-8001	Dishtable, 26" RH Soiled - ADS-S2
099-8002	Dishtable, 36" LH Soiled - (Need Pre-Rinse)*
099-8003	Dishtable, 36" RH Soiled - (Need Pre-Rinse)*
099-8004	Dishtable, 48" LH Soiled - ADS-S4
099-8005	Dishtable, 48" RH Soiled - ADS-S4
099-8006	Dishtable, 60" LH Soiled - ADS-S6
099-8007	Dishtable, 60" RH Soiled - ADS-S6
099-8008	Dishtable, 26" LH Clean - ADS-C2
099-8009	Dishtable, 26" RH Clean - ADS-C2
099-8010	Dishtable, 36" LH Clean - ADS-C3
099-8011	Dishtable, 36" RH Clean - ADS-C3
099-8012	Dishtable, 48" LH Clean - ADS-C4
099-8013	Dishtable, 48" RH Clean - ADS-C4
099-8014	Dishtable, 60" LH Clean - ADS-C6
099-8015	Dishtable, 60" RH Clean - ADS-C6
099-8016	Dishtable, 22" Wall Shelf - WS-1
099-8017	Dishtable, 42" Wall Shelf - WS-2
099-8018	Dishtable, 63" Wall Shelf - WS-3
099-8019	Dishtable, Rack Slide - ADS-RS (SS)

Item No.	Product name
099-8020	Dishtable, 48" RH ET, (Need Pre-Rinse)*
099-8021	Dishtable, 48" LH ET, (Need Pre-Rinse)*
099-8022	Dishtable, Scrap Basket
099-8023	Dishtable, BP Package
099-8024	Dishtable, 72" LH Clean - ADS-C7
099-8025	Dishtable, 72" RH Clean - ADS-C7
099-8026	Dishtable, 72" LH Soiled - ADS-S7
099-8027	Dishtable, 72" RH Soiled - ADS-S7
099-8029	Dishtable, P Package
099-8033	Dishtable, 42" Undershelf
099-8036	Dishtable, 22" Undershelf
099-8037	Dishtable, 72" LH Conveyor Soiled (Add BP or P Package w/Tab)
099-8038	Dishtable, 72" LH Conveyor Clean W/Table Limit End
099-8039	Dishtable, 72" RH Conveyor Soiled (Add BP or P Package w/Tab)
099-8040	Dishtable, 72" RH Conveyor Clean W/Table Limit End
099-8041	Dishtable, HT-34 39 1/2" LH Soiled (Also Need 099-4001 Pre-R)
099-8042	Dishtable, HT-34 39 1/2" RH Clean
099-8043	Dishtable, Lever Drains
099-8060	Dishtable, HT-34, RH Soiled
099-8061	Dishtable, HT-34, LH Clean

*All soil tables require pre-rinse sink option.

American Dish Service™
Manufacturers of Ware Washing Equipment



© American Dish Service

900 Blake Street | Edwardsville, Kansas, 66111
913.422.3700 | Toll-Free: 800.922.2178 | Fax: 913.422.6630
orders@americandish.com | americandish.com